

## ISLA

## ISLS65

Isla Wall Mounted Lavatory Faucet with Metal Geode Handles



### TECHNICAL DETAILS

Adjustable versus Fixed Spray: Fixed Spray  
 Control Valve Rough-in Depth Maximum: 5 5/8"  
 Control Valve Rough-in Depth Minimum: 3"  
 Drain Depth Maximum: 2 5/8"  
 Drain Hole Diameter: 1 3/4"  
 Drain Style: Push Touch  
 Escutcheon Primary Material: Brass  
 Fittings Hole Diameter: 1 3/8"  
 Handle Spread Maximum: 8"  
 Handle Spread Minimum: 8"  
 Handle Turn Angle: Quarter Turn  
 Depth / Width: 9"  
 Drain Depth Minimum: 3/8"  
 Height: 3 1/8"  
 Inlet Connection Size: 3/4"  
 Inlet Connection Type: Female NPT  
 Inlet Supply Spread Maximum: 8"  
 Inlet Supply Spread Minimum: 8"  
 Length: 10 5/8"  
 Number of Holes: Three Hole  
 Restricted Maximum Flow Rate: 1.2 gpm  
 Spout Swivel: N  
 Suggested Application: Bath  
 Valve Material: Ceramic  
 Water Pressure Maximum: 85.0 psi  
 Water Pressure Minimum: 20.0 psi  
 Water Pressure Recommended: 45.0 psi

### INSPIRATION

Pure, timeless, unique and versatile - sculptural organic forms meet advanced engineering in this inspiring collection of fittings, hardware and accessories.

### CODES & STANDARDS

Code # ISLS65: CEC

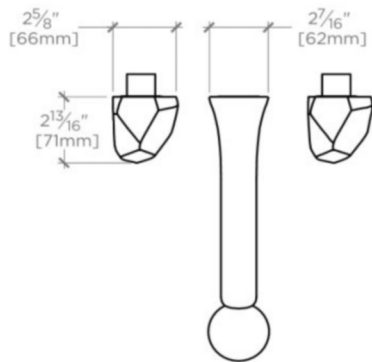
### PRODUCT FEATURES

Features faceted Geode Handles  
 Includes European size push touch drain  
 Requires rough valve, sold separately: GULV27 (US) / GU27LV (UK)  
 Stocked in Nickel, Burnished Nickel, and Burnished Brass  
 Available in 1.2gpm (4.5L/min) flow rate

## ISLA

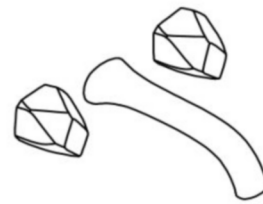
## ISLS65

Isla Wall Mounted Lavatory Faucet with Metal Geode Handles



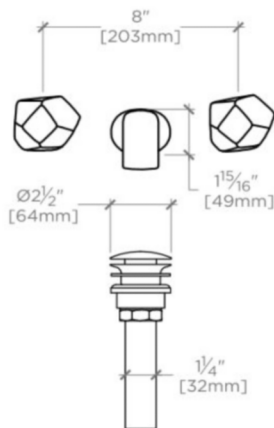
TOP VIEW

SCALE: 1/2"=1'-0"



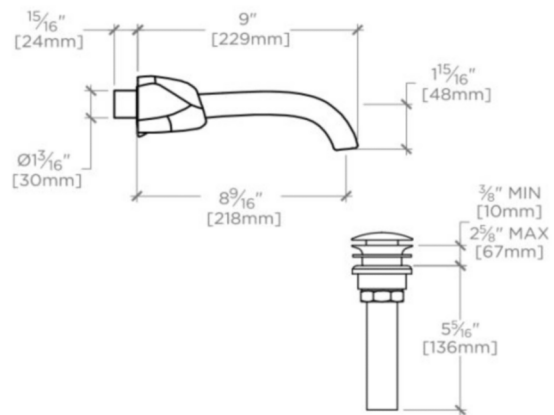
ISO VIEW

SCALE: 1/2"=1'-0"



FRONT VIEW

SCALE: 1/2"=1'-0"



SIDE VIEW

SCALE: 1/2"=1'-0"