



WE ARE IB

Collection

## KITCHEN

Article

### AT370

Description

Sink mixer

Box Dimensions

225x95x70 mm

Weight

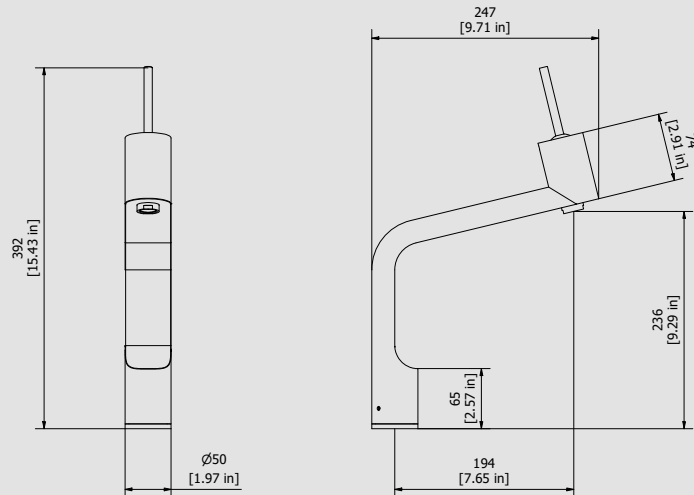
3.9 kg

Finishes

- CC** CHROME
- PL** PLATINUM
- SS** BRUSHED NICKEL
- ON** NATURAL BRASS
- BO** MATT WHITE
- NP** MATT BLACK
- CF** BLACK CHROME
- CS** BRUSHED BLACK CHROME
- II** PALE GOLD
- IS** BRUSHED PALE GOLD
- RS** ROSE GOLD
- SR** BRUSHED ROSE GOLD
- OO** GOLD
- OS** BRUSHED GOLD
- RR** ANTIQUE COPPER
- BB** ANTIQUE BRONZE



Dimensions



Cartridge

Ceramic cartridge joystick  $\varnothing 35$

Threaded fitting

Inox Hoses M10x1 G3/8" DN6 L600

Aerator

M24x1

Flow Rate (+/-10%)

| 1 BAR | 2 BAR   | 3 BAR   |
|-------|---------|---------|
| 3 l/m | 4.4 l/m | 4.5 l/m |

Production

Main body is a single hot stamped pieces

Material

**BRASS**  
According to CuZn39Pb3 (CW614N)  
Max Lead content: 2.5%

IB RUBINETTERIE s.p.a  
via dei Pianotti 3/5  
25068 Sarezzo (BS) - Italy -

T. +39 030 802101  
F. +39 030 803097  
info@weareib.it

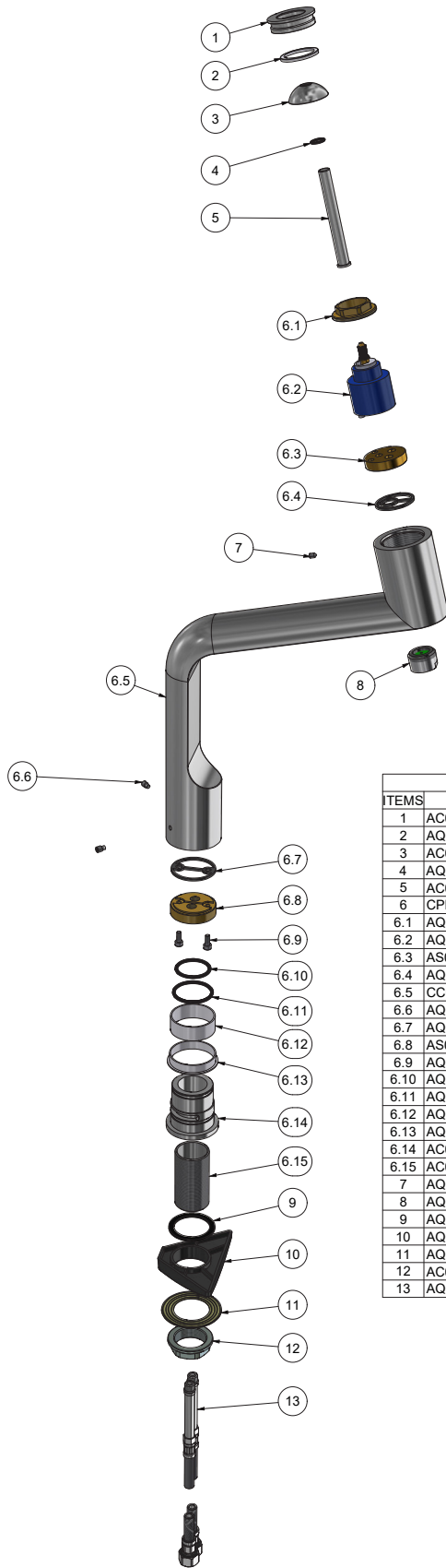
P.IVA 01785230986  
capitale sociale  
€420.000,00 i.v.

www.weareib.it





WE ARE IB



| Parts list |               |                                       |     |
|------------|---------------|---------------------------------------|-----|
| ITEMS      | CODE          | DESCRIPTION                           | QTA |
| 1          | AC0009973     | Cover nut for sphere Ø38,16 H10       | 1   |
| 2          | AQ0010014     | Antifriction ring for sphere H.2,5    | 1   |
| 3          | AC0009974     | Cover cartridge sphere                | 1   |
| 4          | AQ0010077     | OR 9x1.5 NBR 70 SH                    | 1   |
| 5          | AC0010230     | Rod for lever                         | 1   |
| 6          | CPKAT370CCX01 | Preassembled sink mixer               | 1   |
| 6.1        | AQ0001040     | Cartridge ring nut M37x1.5 H9         | 1   |
| 6.2        | AQ0010069     | Ceramic cartridge joystick Ø35.4 h20  | 1   |
| 6.3        | AS0010456     | Cartridge insert Ø35.4 h11            | 1   |
| 6.4        | AQ0010490     | Cartridge gasket Ø33.3 H2             | 1   |
| 6.5        | CC0001875     | Sink body                             | 1   |
| 6.6        | AQ0007178     | Grubscrew M5x8 half dog point         | 2   |
| 6.7        | AQ0010491     | Gasket Ø40.8 H2                       | 1   |
| 6.8        | AS0010457     | Hoses insert Ø41.9 H10.5              | 1   |
| 6.9        | AQ0010381     | Screw M4x10                           | 2   |
| 6.10       | AQ0006585     | OR 28.25x2.62 NBR 70 SH               | 1   |
| 6.11       | AQ0001425     | OR 33x2.62 NBR 70 SH                  | 1   |
| 6.12       | AQ0010492     | Ring Ø41.9 H19                        | 1   |
| 6.13       | AQ0010493     | Ring Ø47.9 H9                         | 1   |
| 6.14       | AC0010458     | Insert                                | 1   |
| 6.15       | AC0009680     | Threaded stem M33x1.5 H61             | 1   |
| 7          | AQ0010444     | Grubscrew M4x6 cone point             | 1   |
| 8          | AQ0010567     | Aerator cascade M24 x 1 (40.0003.033) | 1   |
| 9          | AQ0008013     | Rubber packing 45x35x2                | 1   |
| 10         | AQ0009184     | Support base for sink                 | 1   |
| 11         | AQ0000881     | Inox flange Ø35.5x59                  | 1   |
| 12         | AC0009901     | Nut M33x1.5 H13 nikel                 | 1   |
| 13         | AQ0010565     | Inox Hoses M10x1 G3/8" DN6 L600       | 2   |



## WARRANTY

All IB Rubinetterie SpA products are warranted for 10 years from the date of purchase, for the following cases:

- Defects of casting, porosity and chrome plating.
- Operating defects caused by incorrect fabrication.

The warranty provides for repair or replacement of products with fabrication defects recognized by our technical office. There is no other type of compensation anche the merchandise must be returned FOB our warehouse. The warranty only cover surface defects (scatches, dings, etc.) on fitting that have not been installed and used, returned in its original packaging with all components. O-ring, gasket seals and components subject to wear proportional to use are warranted for 2 years.

### The warranty is void in the following cases:

Error installing and putting the product into service.

Deterioration of finished surfaces due to use of cleaning products containing acids or abrasive substances. Deterioration of surface with finishes other than chrome plating. Their durability is, in fact, dependent on the user's care and gentleness of use.

Deterioration of the fitting due incorrect installation.

Improper repairs and maintenance performed without the company's prior authorization.

The warranty from IB Rubinetterie SpA is not renewable.

### Cleaning

We recommended cleaning the finish surfaces with water and soap, using a soft cloth.

Do not use detergents that contain hydrochloric acid or abrasive substances.

