

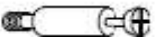


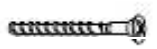

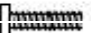







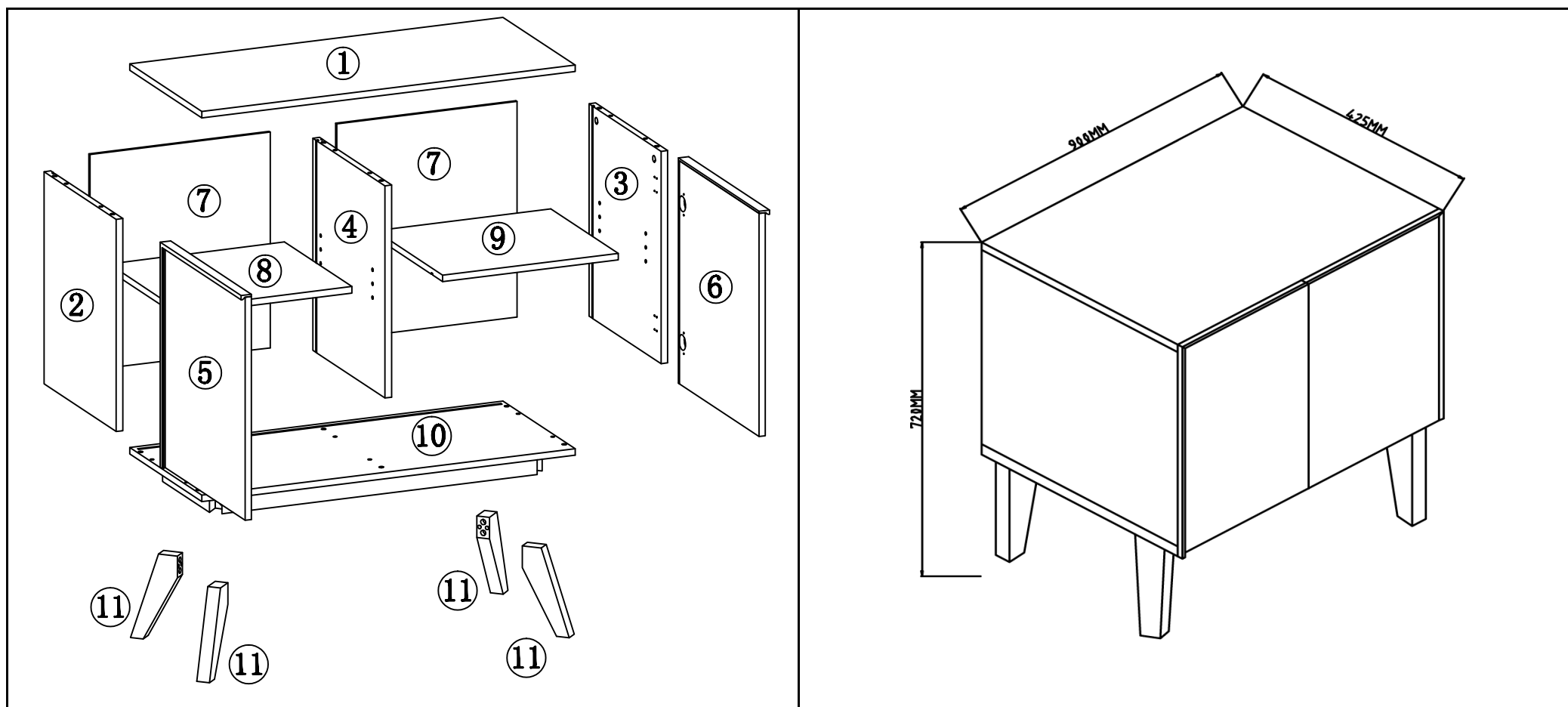


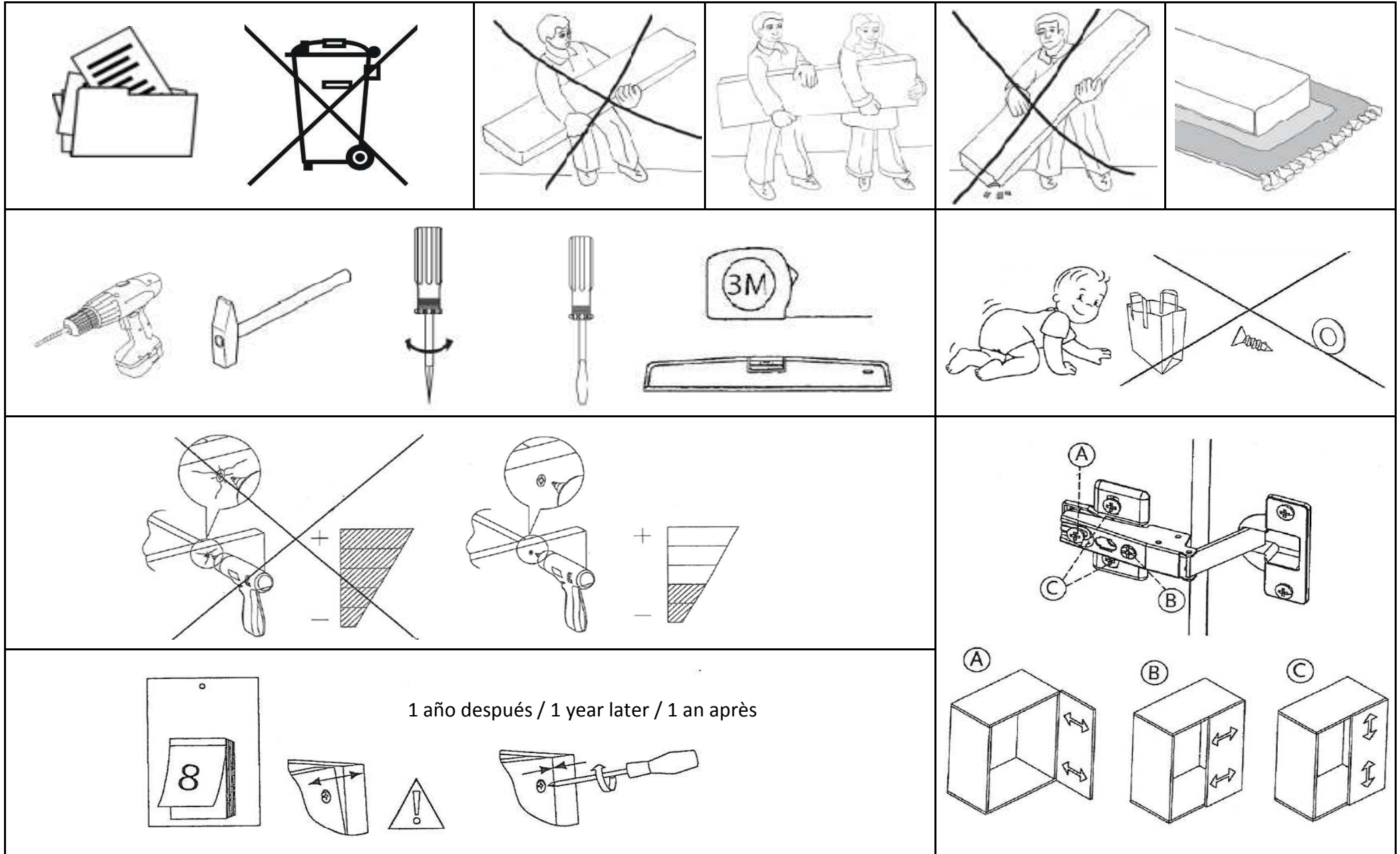
Y003

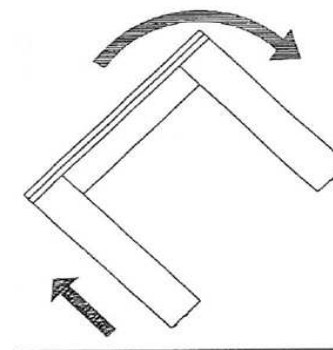
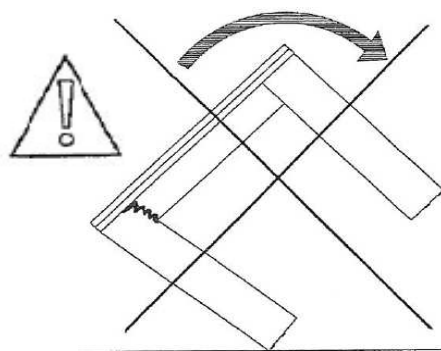
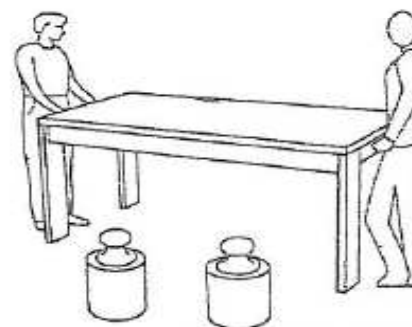
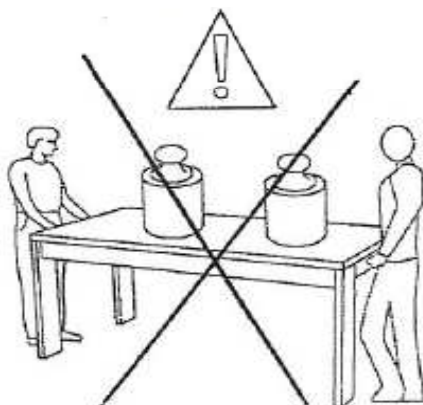
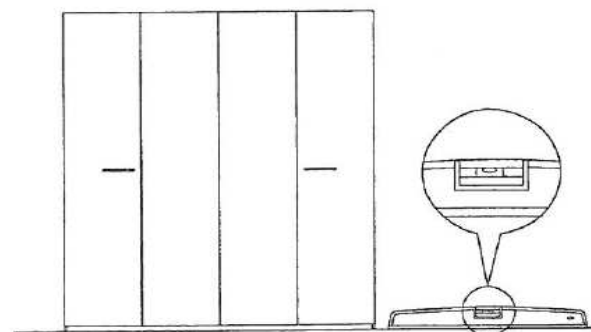
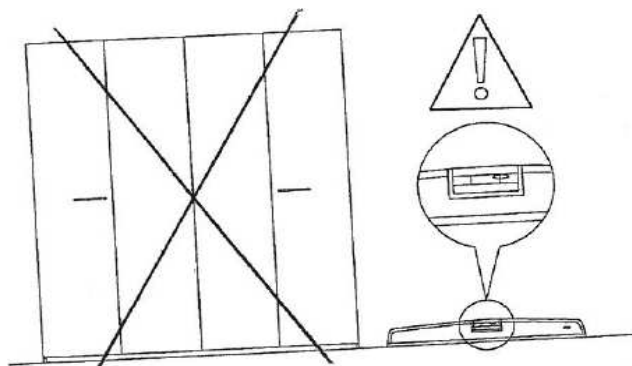


 X2  30 min	 A $\phi 6 \times 36 \text{MM}$ x6	 B $\phi 15 \times 10 \text{MM}$ x6	 C $\phi 7.8 \times 30 \text{MM}$ x20	 D $M7 \times 50 \text{MM}$ x6	 E x6	 F $M6 \times 50 \text{MM}$ x8	 G $\phi 16 \times \phi 8 \times 2$ x8
	 H $\phi 16 \times \phi 6.5 \times 1$ x8	 I $\phi 5 \times 16 \text{MM}$ x8	 J $M3.5 \times 14 \text{MM}$ x32	 K $M4$ x1	 M x4	 N $15 \times 10 \text{MM}$ x8	



Y003

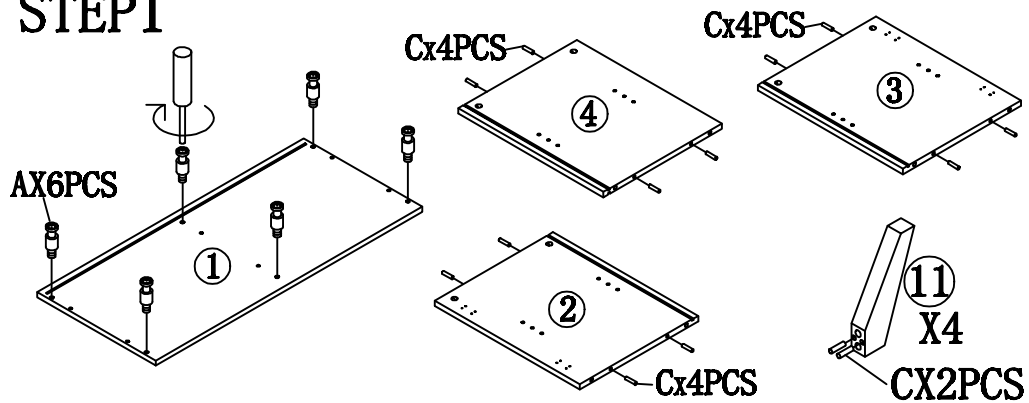




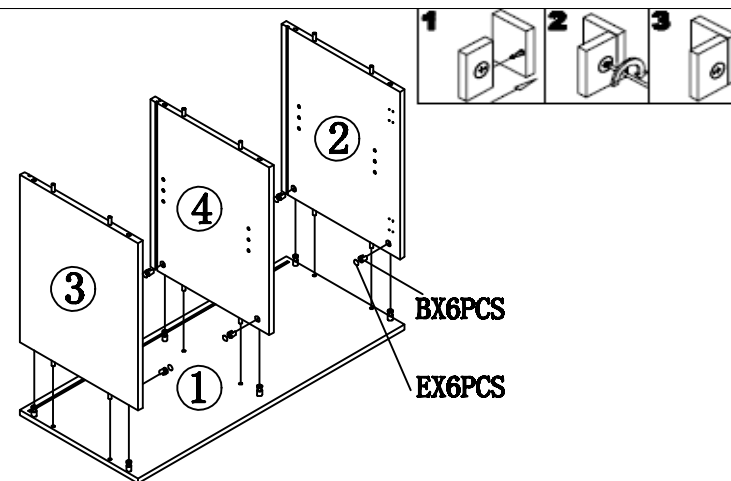
Y003



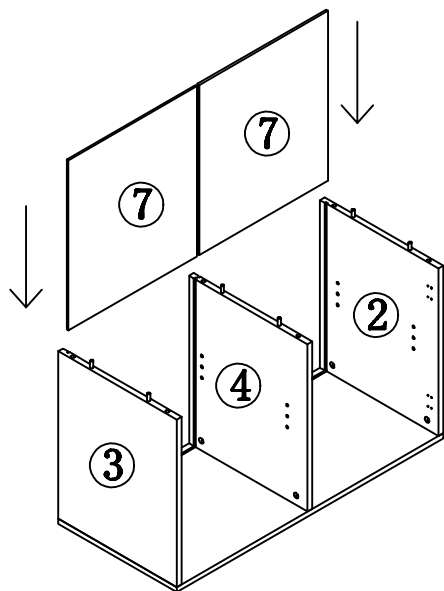
STEP1



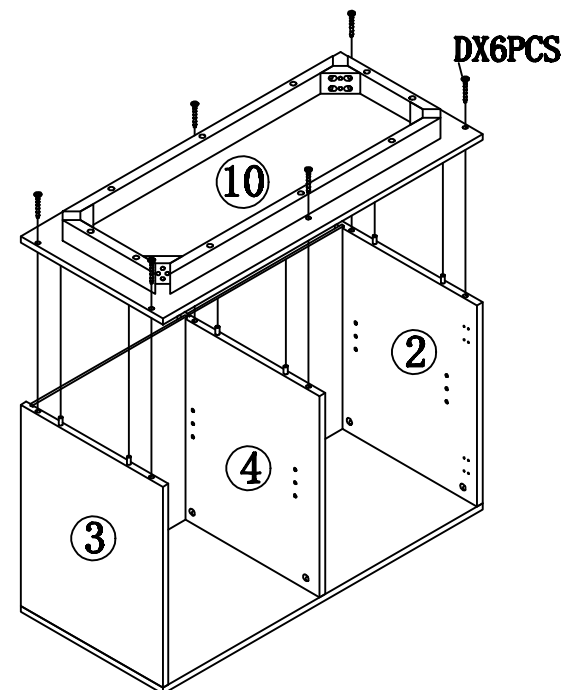
STEP2



STEP3

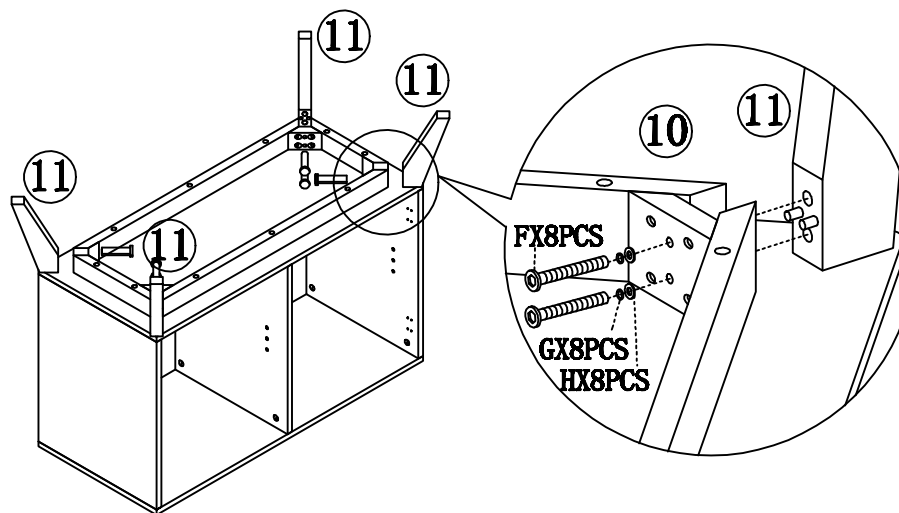


STEP4

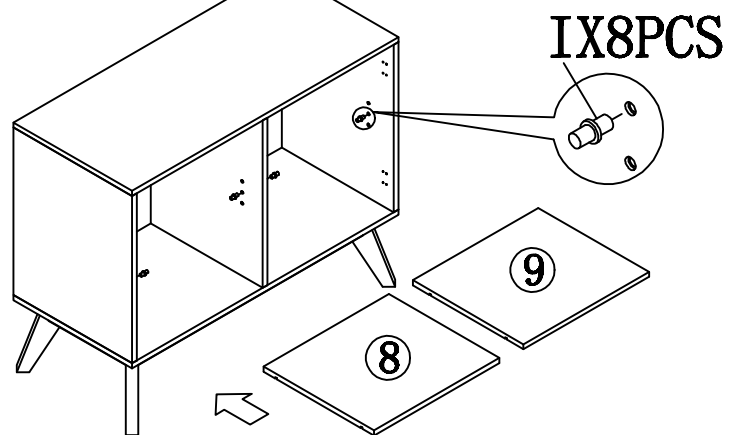




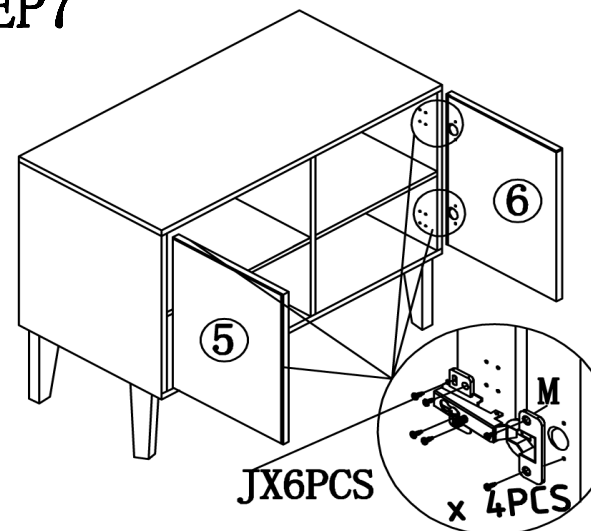
STEP5



STEP6



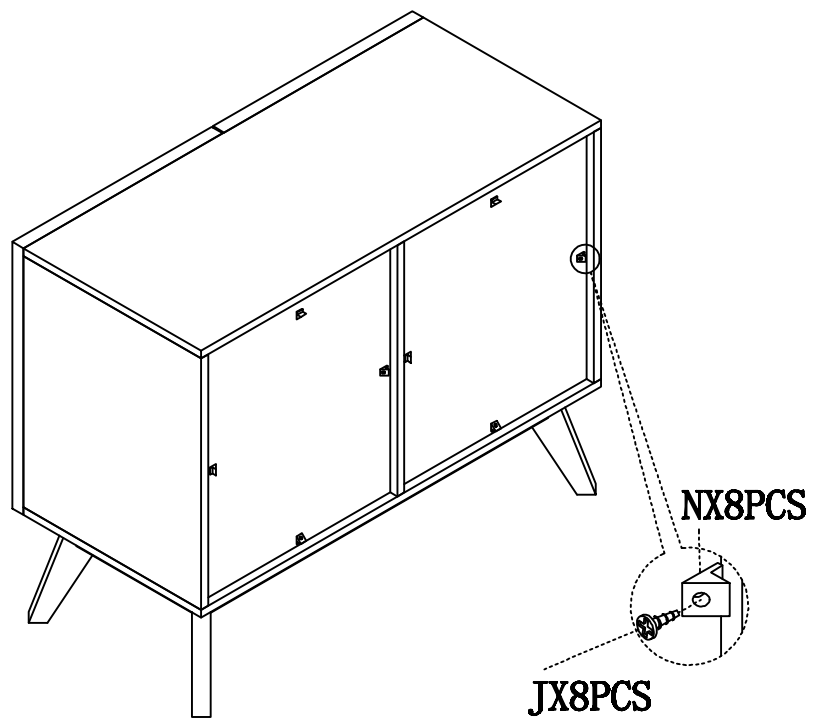
STEP7



Y003



STEP8



STEP9

