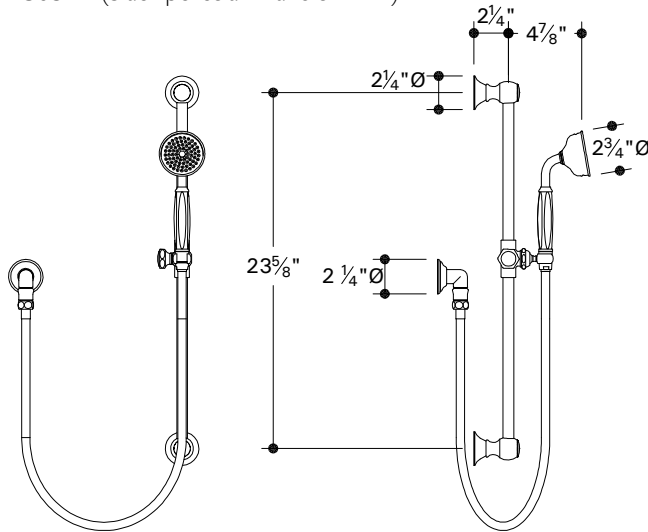


**JUHS01-K** (metal handle)  
**JUHS02-K** (white porcelain handle)  
**JUHS03-K** (black porcelain handle-MTO)



**IMPORTANT**

- To ensure this product is installed properly, you must read and follow these guidelines.
- The owner/user of this product must keep this information for future reference.
- Be sure your installation conforms to local codes.
- A wall valve or diverter valve (sold separately) controls on/off/volume and must be installed for proper operation of this product.
- This product must be installed by a professional contractor.
- Refer to the specification and assembly drawings attached. This product is sold partially assembled but shown fully disassembled for illustrative and service purposes only.
- Inspect this product to assure you have all parts required for proper installation.
- Use only a strap wrench or protected/smooth-jaw wrench on any finished surface

**ROUGH IN:**

1. Install a wall valve or diverter valve(sold separately) at the desired location.
2. Finish the rough in by installing a well supported 1/2" female IPS elbow.
3. Determine the ideal location of the bar assembly based on the clients preference and install wood blocking or position over a stud to properly secure the bar.

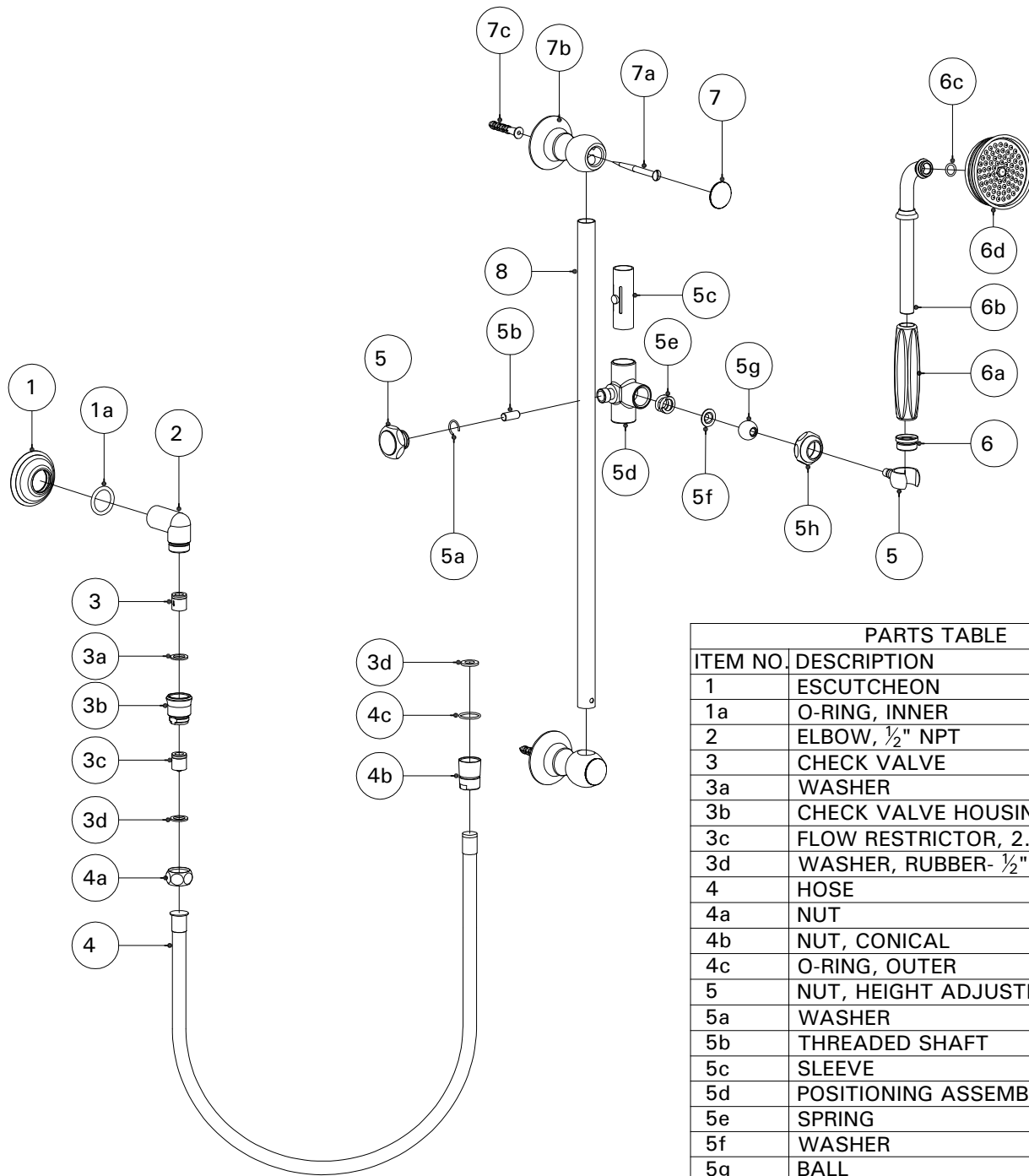
**BAR AND ELBOW INSTALLATION:**

4. The inlet elbow (2) is 1/2" female IPS; install the elbow using a nipple of appropriate length.
5. Drill holes at the proper spread of 2 3/8" to accommodate the screw anchors (7c) and bar mounting screws (7a).
6. Remove the cap (7) from each bar end (7b), thread the screw (7a) into the wall then reinstall the cap.
7. Install the hand shower onto the conical end (4b) of the hose
8. To adjust the angle of the hook, loosen the nut (5h).
9. To adjust the height of the hook, loosen the knob (5).

If further assistance is required, please contact Product Support at 1-800-927-2120 (8am-7pm EST).

These guidelines have been prepared for the professional contractor to aid in the installation of: **JULIA HANDSHOWER ON BAR (JUHS01-K, JUHS02-K, JUHS03-K)** All dimensions are based on original specification and are subject to change and variation. Please consult your Design Associate for current specifications.

W A T E R W O R K S



3c 2.5 GPM FLOW RESTRICTOR

PARTS TABLE		
ITEM NO.	DESCRIPTION	QTY.
1	ESCUTCHEON	1
1a	O-RING, INNER	1
2	ELBOW, 1/2" NPT	1
3	CHECK VALVE	1
3a	WASHER	1
3b	CHECK VALVE HOUSING	1
3c	FLOW RESTRICTOR, 2.5 GPM	1
3d	WASHER, RUBBER- 1/2"	2
4	HOSE	1
4a	NUT	1
4b	NUT, CONICAL	1
4c	O-RING, OUTER	1
5	NUT, HEIGHT ADJUSTMENT	1
5a	WASHER	1
5b	THREADED SHAFT	1
5c	SLEEVE	1
5d	POSITIONING ASSEMBLY	1
5e	SPRING	1
5f	WASHER	1
5g	BALL	1
5h	NUT, ANGLE ADJUSTMENT	1
6	HANDSHOWER INLET BASE	1
6a	HANDLE	1
6b	HANDSHOWER INLET PIPE	1
6c	O-RING	1
6d	HANDSHOWER HEAD	1
7	INDICE	2
7a	SCREW	2
7b	BAR END	2
7c	ANCHOR	2
8	Bar	1

These guidelines have been prepared for the professional contractor to aid in the installation of: **JULIA HANDSHOWER ON BAR (JUHS01-K, JUHS02-K, JUHS03-K)** All dimensions are based on original specification and are subject to change and variation. Please consult your Design Associate for current specifications.

W A T E R W O R K S