

JULIA

Julia Handshower On Hook with Metal Handle

JUHS11



SHOWN IN JULIA HANDSHOWER ON HOOK WITH METAL HANDLE | JUHS11

TECHNICAL DETAILS

ADA Compliance: Yes
Adjustable versus Fixed Spray: Fixed Spray
Diameter of Head: 3"
Escutcheon Primary Material: Brass
Flow Restriction Options: 2.5, 2.2, 2.0, 1.75, 1.5, 0.92
Handshower / Spray Hose Length: 59"
Depth / Width: 7 3/4"
Height: 25 7/8"
Inlet Connection Size: 1/2"
Inlet Connection Type: Female IPS
Installation Type: Wall Mounted
Integrated Diverter: N
Length: 7 3/4"
Pivot: Y
Primary Material: Brass
Suggested Application: Bath
Water Pressure Maximum: 85.0 psi
Water Pressure Minimum: 20.0 psi
Water Pressure Recommended: 45.0 psi

INSPIRATION

An interpretation of 1920s French country, Julia speaks to decoration and intricate design displayed through beautifully composed turnings. These details embody the robust, signature high profile spout enabling Julia to transition fluidly from informal to formal environments.

CODES & STANDARDS

Code # JUHS11: ASME A112.18.1 / CSA B125.1, State of MA, CEC

PRODUCT FEATURES

Metal handle

2 1/2" handshower head

Stocked in Chrome, Nickel, Matte Nickel, and Unlacquered Brass

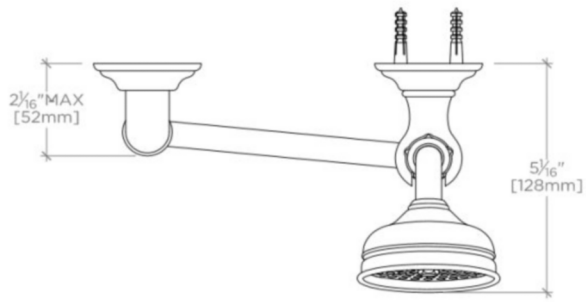
Stocked in 2.5gpm (9.5L/min) flow rate. Alternate flow regulation of 1.75gpm (6.6/min) also available as special order

WATERWORKS

JULIA

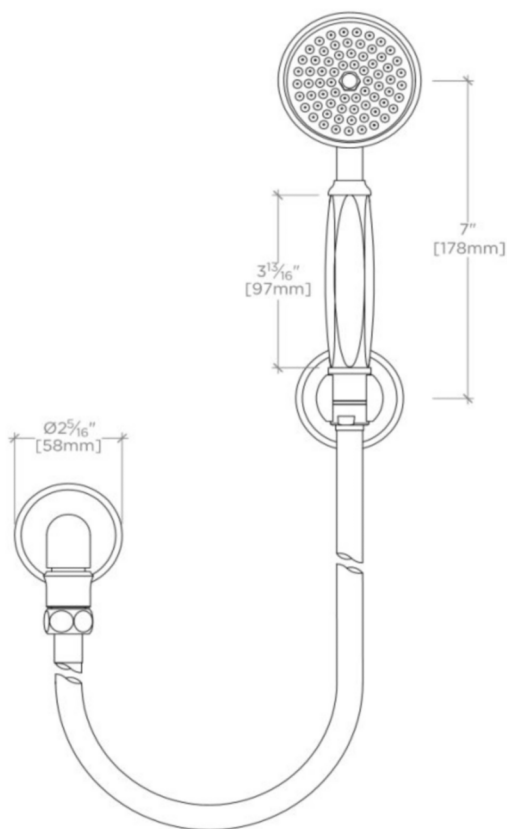
JUHS11

Julia Handshower On Hook with Metal Handle



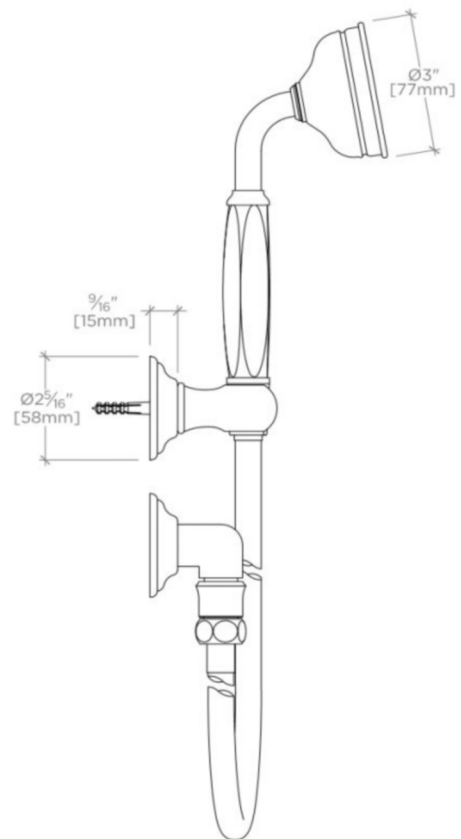
TOP VIEW

SCALE: 3"=1'-0"



FRONT VIEW

SCALE: 3"=1'-0"



SIDE VIEW

SCALE: 3"=1'-0"