

Инструкция по эксплуатации

Инфракрасный обогреватель Timberk ТСН А3 2000

Цены на товар на сайте:

<http://www.vseinstrumenti.ru/klimat/obogrevateli/infrakrasnye/timberk/tch-a3-2000/>

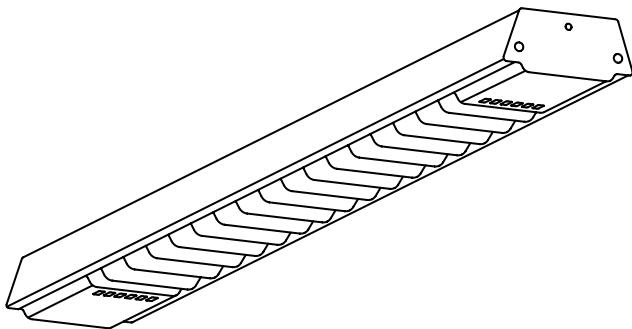
Отзывы и обсуждения товара на сайте:

<http://www.vseinstrumenti.ru/klimat/obogrevateli/infrakrasnye/timberk/tch-a3-2000/#tab-Responses>

Instruction manual
Руководство по эксплуатации

*Инфракрасный
электрический
обогреватель*

*Electric
ceiling heater
(infrared heater)*



Модели/Models:

TCH A3 1000
TCH A3 1500
TCH A3 2000

Outlook of devices, also colour scores can be revised without any special advance notices.

Производитель вправе менять внешний вид прибора и цветовую гамму прибора без специального уведомления .

Dear customer!

Thank you for good choice and purchase of the Timberk infrared heater. It will serve long.

The Timberk electric infrared heater is designed for general, additional, or local heating of living and production premises of all types with ceiling height from 2.5 to 3.5 meters. The heater can be installed only on the ceiling or ceiling structural elements, or on a wall, where it can be connected to ~220 V, 50 Hz single-phase power supply. This heating appliance is efficient and economic in use thanks to minimum losses of electric power.

1. IMPORTANT INFORMATION

Please carefully read the Operation Manual before using the infrared heater.

This Operation Manual contains the important information on your safety, as well as some recommendations on proper use of the appliance and its maintenance.

Keep the Operation Manual along with the warranty certificate, sales receipt, and, if possible, cardboard package and packing material.

The purchased infrared may somewhat differ from one described in the Manual, but this does not affect the methods of use and operation.



IMPORTANT!

The important precautions and instructions contained in the manual do not include all possible modes and situations which can occur. It should be realized that common sense, care and accuracy are the factors which cannot be «inbuilt» in any device. These factors shall be taken into account by a person being interested in the proper operation of the device. The manufacturer is not liable if damage to the device or its separate parts is caused during transportation, due to incorrect installation, voltage fluctuations, and also if any part of the device was changed or modified

2. PRECAUTIONS

During use of the infrared heater, it is necessary to observe some precautions. Improper operation with disregard of precautions may result in infliction of harm to health of the user and other people, as well as in infliction of damage to their property.

1. Read all instructions before using the heater.
2. Temperature of radiating boards during operation of the heater may reach 340 °C. To avoid burns, do not touch the appliance surface by hand and other body parts. It is also necessary to exclude the possibility of touching the heater radiating boards by a person (including accidental) via proper instructions and allocation of the heater in an inaccessible place.
3. The heater should be placed far from flammable and easily deformable objects.
4. The power cord and other objects should not contact hot surfaces of the heater.
5. Make sure that the heater body and its radiating boards get cold before demounting and placing the heater to the package for long storage.
- 6 During demounting of the heater or its movement, take special precautions to exclude hits of the appliance and its falling.
7. When the heater is not used for a long time, keep it in dry cool place in the factory cardboard package.
8. DO NOT COVER the heater. Do not dry clothes and any other fabrics/materials on the appliance. This may lead to its overheating, breakdown, or infliction of a significant damage to you and/or your property.



IMPORTANT!

The manufacturer considers this type of failure a non-guaranteed event.

9. The heater should be connected to the electric mains equipped with an automatic circuit breaker.
10. Never connect the heater to the electric mains, if its surface is moist (wet).
11. Never try to repair the heater yourself. This may inflict harm to your health and affect the warranty service of the appliance.

12. It is prohibited to use the heater in rooms with explosive, dusty, or corrosive environment.

13. Exclude operation of the heater without grounding.

14. It is prohibited to switch on and use the heater with removed cover.

15. It is prohibited to install and use the heater in bathrooms, showers, or near swimming pools, where water jets and drops may directly get onto the appliance surface, when it is switched on.

16. It is prohibited to use the heater in dusty rooms and during redecoration.

17. It is prohibited to touch the heater radiating boards.

18. Use the heater only as described in this Manual. Any other use not recommended by the manufacturer may lead to fire, electric shock, or injuries of people.

19. Never clean the heater, when it is connected to the electric mains, and do not wipe the heater radiating boards with flammable liquids during its operation.

20. For normal operation of the heater, the mains voltage should be sufficient and the mains specifications should strictly correspond to the technical parameters indicated on the appliance body. If necessary, clarify the specifications of your mains from the electricity supplier.

21. Install and operate the heater on the ceiling constructions and on the wall. At that, thermal resistance of the ceiling coating material should be at least 80°C.

22. It is prohibited to install the appliance in immediate proximity to an electric socket. This may result in its overheating causing an emergency situation.

23. The appliance is not designed for use by people (including children) with limited physical, sensory, or mental capabilities and having insufficient experience/knowledge, if they are not supervised and instructed on use of the device by a person responsible for their safety. It is necessary to watch that children do not play with the heater.

24. There can be stucked an advert stickers on the heating plates. It should be removed from the surface before first start of the device.

25. There is a warning sticker on the reverse side of the device. It is strongly do not recommended to remove it. You can do this, only if you want to attach the remote control block. (Remote Control Block is not included in the standard set of heater; you can buy it separately).

3. WORKING PARAMETERS

Operation principle

The infrared heater is an appliance with an open electric heating element that gives heat when heated in the environment by generating directional infrared radiation. Radiant energy absorbed by the surrounding surfaces and turning into thermal energy heats them. The temperature on the surface of objects may be different depending on their properties termoabsorbtsionnyh (numbers surface material), the angle of incidence of infrared rays, the shape and surface area. Surface is also given to some of the heat the air, while heated air rising to the ceiling, gradually cools down, while at the head of a standing person on the air temperature is 1-2 ° C below the temperature of the floor.

Main features

1. Significant economic effect as compared to convectional heating, where heat is significantly consumed for heating of unused roof space (first, air is heated throughout the room volume, and then air heats objects and surfaces in the room).

2. Capability of local heating only for those areas in the room, where it is necessary, without heating of the whole room volume.

3. Low air temperature in the room at comfortable temperature on surfaces of objects, floor, and walls creates the freshness effect air is not dried up.

4. Low convection (thermal movement of air volumes) reduces amount of dust kicked up from the floor.

5. Absence of the burnt air effect contrary to heaters with high temperature of the work surface.

6. You can buy & install additionally the following: Block of Remote Control together with Remote Control Handheld. Remote Control Block can switch on/off the heater and also use timer settings. Using Remote Control, you will get more options than simple ceiling heater can provide like base function set.

Area of application

Infrared heaters are designed for general, additional, and local heating of industrial, production, utility, and similar rooms (flats, offices, trade enterprises, exercise rooms, educational institutions, public catering enterprises, storage facilities, hangars, agricultural facilities, etc.).

When these heaters are used in day-care services they can be used only for additional heating.

Technical specifications

Technical specifications of the TCH A3 infrared heater.

Parameter	Meas. units	Item		
		TCH A3 1000	TCH A3 1500	TCH A3 2000
Nominal power consumption	W	1000	1500	2000
Rated current	A	4,5	6,8	9,1
Rated voltage	V/Hz	~220/50	~220/50	~220/50
Water protection class		IP20	IP20	IP20
Electric protection class		Class I	Class I	Class I
Recommended installation height	m	2,5	2,7	3,5
Weight	kg	2,0	2,9	3,6
Dimensions	mm	50x935x110	50x1360x110	50x1785x110

For more detailed description of technical parameters and specifications please refer to our website www.timberk.com or ask from the official dealers of TIMBERK.



IMPORTANT!

The manufacturer reserves the right to change the set-list of the device (including liquid and powder components) for different supplies without prior notice. The changes either in no way influence the basic technical parameters of the device or may improve them, and also not violate the legislation or quality standards of the countries of manufacture, transit and selling.

The changes in the set-list may result in changing of the weight and dimensions of the device, but not more than by +/- 5-20% (depending on the product category)



NOTE:

Heated area in the table is indicated for reference, since it depends both on the heater power, and on room type, ceiling height, wall/ceiling materials, number and area of glazing, presence of doors, etc.

Minimum distances from heater to other surfaces

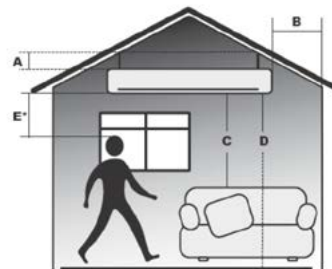


Fig.1

Minimum distances from the heater to other surfaces according to Fig. 1 are given in Table 2.

Table 2

Dimensions, mm	Article number		
	TCH A3 1000	TCH A3 1500	TCH A3 2000
A	78	78	78
B	150	150	150
C	600	600	600
D	2500	2700	3500
E*	700	700	700

* At long standing in the heated area



WARNING!

At long standing in the heated area, the distance from the heater radiating boards to a person or an animal at indoor air temperature below +11 °C should be at least 1.8 m.

4. INFRARED HEATER DESCRIPTION

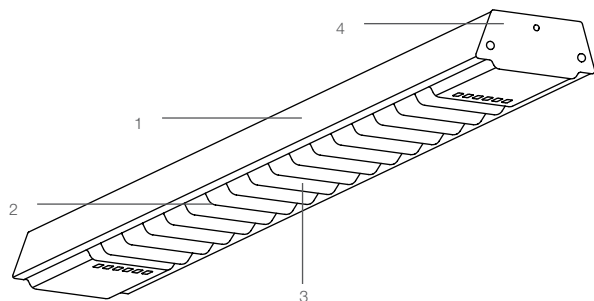


Fig.2

1. Heater body
2. Protective grille
3. Heating element
4. Cover

5. DELIVERY SET

1. Infrared heater - 1 pc
2. Set of fasteners - 1 pc
3. Operation manual - 1 pc
4. Warranty certificate - 1 pc



NOTE:

To improve the product quality, the design and technical specifications of the infrared heater, as well as its delivery set can be modified by the manufacturer without preliminary notification.

6. INSTALLATION



WARNING!

Mounting of the infrared heater and its connection to the electric mains should be carried out only by qualified specialists according to the Electrical Installation Regulations and Power System Safety Standards.

Infrared heater mounting

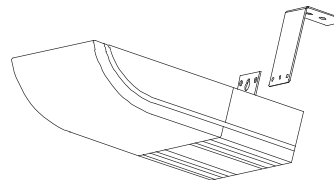


Fig.3

1. Open the factory package and carefully remove the heater from it.
2. Take the set of fasteners.
3. Select the heater installation place on the ceiling or ceiling structural elements with observation of minimum distances from objects and minimum distance from the floor.
4. Install the brackets at distance from each other, securing them using a chain or fasteners (fig. 3).
5. Suspend the heater on the brackets according to Fig. 3, first securing on edge, then another. Make sure that screws are tightened firmly.



NOTE:

1. Depending on material and design of ceiling structural elements, the heater is secured onto appropriate fasteners chosen on basis of the strength condition. Strength of the ceiling or structural elements, to which the heater is secured, should be sufficient to endure 5-fold weight of the heater.
2. The heater can be installed on the wall and mounted on the height not less than 1.8 from the floor. Also it is obligatory to be installed an additional protection in order to avoid the contact with heating plates.



WARNING!

After installation of the heater and before switching for the first time, it is necessary to wipe the radiating board with alcohol. After that, it is **PROHIBITED** to touch the radiating board.

Connection to electric mains

1. The heater is designed for connection to the single-phase ~220 V, 50 Hz electric mains equipped with a grounding loop.
2. Before connection, make sure that specifications of the electric mains at the connection point meet the parameters indicated on the appliance nameplate.
3. The heater should be connected to the electric mains using a cable with wire section at least 1.5 mm². The electric mains should be equipped with an automatic circuit breaker with rated current not less than 16A.
4. For connection of the heater to the electric mains, it is necessary to do the following:
 - remove the cover from the heater.
 - cut a hole in the rubber seal.
 - insert the electric cable to the heater.
 - tightly fix the bare ends of the electric cable in the junction block of the heater with screws in strict correspondence with marking on the block.
 - reinstall the cover.



NOTE:

The instruction manual for remote control block is not included in the scope of delivery. Should be bought separately.

7. OPERATION

1. Before switching the heater, it is necessary to thoroughly wipe the surface of the radiating boards first with a soft rag moistened in alcohol and then with a dry rag in order to exclude appearance of burnt spots.
2. After switching and reaching the working mode, the appliance starts to radiate infrared beams and heat the surrounding objects/bodies.
3. To exclude unpleasant burnt odor, it is recommended to keep the heater clean preventing accumulation of dust on it.



WARNING!

Slight crackles may be heard during operation at the moment of heating or cooling, which disappear, when the heater reaches the working mode.



NOTE:

Discoloration of paint on the heater body wall directed to the ceiling during operation is not a defect. Changing of colour for heating plates is not defect.

8. MAINTENANCE

1. During operation, it is necessary to periodically (once a year) check the electric cable contacts and terminal connectors for good tightening.
2. If the body becomes dirty, wipe off dust with a towelette. Radiating boards should be wiped in cold condition with alcohol.



NOTE:

Radiating boards should be wiped with a soft rag moistened in alcohol leaving no scratches on the surface. Use of other liquids is prohibited!

9. TRANSPORTATION AND STORAGE

Temperature requirements*	Transportation and storage	From -30° to +50°
Humidity requirements*		From 15% to 85% (without a condensate)

We are exploring new technologies and we constantly improving the quality of our products. That's why specifications, design and accessories are subject to change without any specific notice.

10. TROUBLESHOOTING

Possible malfunctions and remedies for them:

Malfunction	Cause	Remedy
1. The heater heats poorly	1. The heating element is faulty	1. Contact the authorized service center of Timberk
	2. Low voltage in the electric mains	2. Check voltage in the electric mains
2. The heater does not work	1. No voltage in the electric mains	1. Check presence of voltage in the electric mains
	2. Breakdown of the electric cable	2. Check integrity of the electric cable and replace it if necessary
	3. The automatic circuit breaker of the electric mains is faulty	3. Check operability of the automatic circuit breaker of the electric mains and replace the faulty circuit breaker if necessary
	4. Breakdown in the heating element circuit	4. Contact the authorized service center of Timberk

If you are not able to remedy a malfunction according to the recommendations or other malfunctions occur, contact the authorized service center of Timberk.

11. WIRING SCHEMATIC DIAGRAM

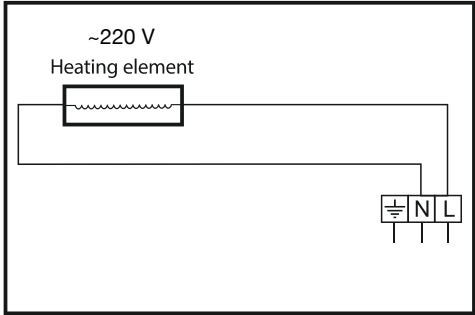


Fig.4

12. DISPOSAL

Upon completion of the service life, the infrared heater should be disposed according to the effective local regulations, rules, and methods. For more details on disposal of the infrared heater, please contact a representative of the local authority.

Уважаемый покупатель!

Благодарим Вас за удачный выбор и приобретение инфракрасного обогревателя Timberk. Он прослужит вам долго.

Электрический инфракрасный обогреватель Timberk предназначен для основного, дополнительного или локального обогрева жилых и производственных помещений всех типов с высотой подвеса от 2,5 до 3,5 метров. Обогреватель может быть установлен на потолке, потолочных конструкциях или на стене, в местах, где есть возможность подключения к электропроводке с однофазным электропитанием ~220 В, 50 Гц. Данный нагревательный прибор эффективен и экономичен в использовании в связи с минимальными потерями электроэнергии.

1. ВАЖНАЯ ИНФОРМАЦИЯ

Просим внимательно ознакомиться с руководством по эксплуатации перед использованием инфракрасного обогревателя. В данном руководстве по эксплуатации содержится важная информация, касающаяся вашей безопасности, а также рекомендации по правильному использованию прибора и уходу за ним.

Сохраните руководство по эксплуатации, вместе с гарантийным талоном, кассовым чеком, и, по возможности, картонной упаковкой и упаковочным материалом.

Приобретенный вами инфракрасный обогреватель может несколько отличаться от описанного в руководстве, что не влияет на способы его использования и эксплуатации.



ВНИМАНИЕ!

Важные меры предосторожности и инструкции, содержащиеся в данном руководстве, не включают всех возможных режимов и ситуаций, которые могут встречаться. Необходимо понимать, что здравый смысл, осторожность и тщательность являются факторами, которые невозможно «встроить» ни в один продукт.



ВНИМАНИЕ!

Эти факторы должен учитывать человек, который заинтересован в надлежащей эксплуатации устройства. Изготовитель не несет ответственности в случае повреждения прибора или его отдельных частей во время транспортировки, в результате неправильной установки, в результате колебаний напряжения, а также в случае, если какая-либо часть прибора была изменена или модифицирована покупателем.

2. МЕРЫ ПРЕДОСТОРОЖНОСТИ

При использовании инфракрасного обогревателя, необходимо соблюдать ряд мер предосторожности. Неправильная эксплуатация в силу игнорирования мер предосторожности может привести к причинению вреда здоровью пользователя и других людей, а также нанесения ущерба их имуществу.

1. Прочитайте все инструкции перед использованием инфракрасного обогревателя.
2. Температура излучения нагревательного элемента при работе обогревателя может достигать 340°C. Чтобы избежать ожогов, не прикасайтесь руками и другими частями тела к поверхностям прибора, а также предотвратите возможность прикосновения, в том числе случайного, человека к поверхности и элементам обогревателя, с помощью инструктажа и размещения обогревателя в недоступном месте.
3. Обогреватель должен располагаться вдали от легковоспламеняющихся и легкодеформируемых объектов.
4. Не допускайте касания шнуром электропитания и другими предметами горячих поверхностей обогревателя.
5. Удостоверьтесь, что корпус обогревателя и нагревательный элемент остыли, прежде чем обогреватель будет демонтирован и уложен в упаковку для длительного хранения.
6. При демонтаже обогревателя или его перемещении соблюдайте особую осторожность, не допуская ударов прибора и его падения.
7. Когда обогреватель не используется долгое время, храните его в сухом прохладном месте в заводской картонной упаковке.

8. НЕ НАКРЫВАЙТЕ обогреватель. Не сушите на нём одежду и любые другие ткани и материалы. Это может привести к его перегреву, выходу из строя или причинить значительный ущерб Вам и/или вашему имуществу.



ВНИМАНИЕ!

Производитель рассматривает данный вид поломок, как негарантийный случай.

9. Подключение обогревателя к электросети должно производиться к электрической сети с автоматическим выключателем.

10. Никогда не подключайте обогреватель к электросети, если его поверхность влажная (мокрая).

11. Никогда не пытайтесь производить ремонт обогревателя самостоятельно. Это может причинить вред вашему здоровью и повлиять на гарантийное обслуживание обогревателя.

12. Запрещено эксплуатировать обогреватель в помещениях с взрывоопасной средой, с запылённой средой, а также со средой, вызывающей коррозию материалов.

13. Не допускайте эксплуатацию обогревателя без заземления.

14. Запрещено включать и эксплуатировать обогреватель со снятой крышкой.

15. Запрещено устанавливать и использовать обогреватель в ванных комнатах, душевых или бассейнах, именно в тех местах, где есть вероятность прямого попадания струй и капель воды на его поверхность во время, когда прибор включен.

16. Запрещено эксплуатировать обогреватель в запылённых помещениях и во время проведения ремонта.

17. Запрещено дотрагиваться до нагревательного элемента и защитной решетки работающего (включенного на нагрев) обогревателя.

18. Используйте данный обогреватель только так, как описано в данном руководстве. Любое другое использование, не рекомендуемое изготовителем, может привести к пожару, поражению электрическим током или травмированию людей.

19. Ни в коем случае не выполняйте очистку обогревателя, когда он подключен к электросети и не протирайте нагревательный элемент и корпус обогревателя легковоспламеняющимися жидкостями во время его эксплуатации.

20. Для нормальной работы обогревателя уровень напряжения в электросети должен быть достаточен, а ее технические параметры должны быть в строгом соответствии с техническими параметрами, указанными на корпусе прибора. При необходимости выясните характеристики своей сети у поставщика электроэнергии.

21. Устанавливайте и эксплуатируйте обогреватель на потолке, потолочных конструкциях или на стене, при этом термостойкость материала покрытия потолка должна быть не менее 80°C.

22. Запрещено устанавливать прибор в непосредственной близости от электрической розетки. Это может привести к её перегреву, что создаст аварийную ситуацию.

23. Прибор не предназначен для использования лицами (включая детей) с ограниченными физическими, сенсорными или умственными возможностями, обладающими недостаточным опытом и знаниями, если они не находятся под наблюдением и не получили инструкций по использованию устройства от лица, ответственного за их безопасность. Необходимо следить, чтобы дети не играли с обогревателем.

24. На поверхность прибора могут быть приклеены рекламные наклейки. Их необходимо удалить с поверхности перед началом эксплуатации прибора.

25. На обратной (тыльной) стороне прибора расположена предупреждающая наклейка. Строго не рекомендуется удалять ее с поверхности, если только вы не решили присоединить к обогревателю автономный блок управления (поставляется отдельно).

3. РАБОЧИЕ ХАРАКТЕРИСТИКИ

Принцип работы

Инфракрасный обогреватель представляет собой прибор с открытым электрическим нагревательным элементом, который при нагреве отдает тепло в окружающую среду посредством генерирования направленного инфракрасного излучения. Лучистая энергия поглощается окружающими поверхностями и, превращаясь в тепловую энергию, нагревает их. Температура на поверхности предметов может быть различной в зависимости от их термоабсорбционных свойств (цвет поверхности, материал), угла падения инфракрасных лучей, формы и площади поверхности. Поверхности также отдают часть тепла воздуху, при этом нагретый воздух, поднимаясь к потолку, постепенно остывает, при этом на уровне головы стоящего человека температура воздуха оказывается на 1-2°C ниже температуры пола.

Основные особенности

1. Существенный экономический эффект по сравнению с конвекционным обогревом, где энергия существенно расходуется на обогрев неиспользуемого подпотолочного пространства, сначала нагревая воздух по всему объему помещения, а от него предметы и поверхности находящиеся в нем.
2. Возможность местного обогрева только тех площадей в помещении, в которых это необходимо без обогрева всего объема помещения.
3. Низкая температура воздуха в помещении при комфортной температуре на поверхности предметов, пола, стен, создает эффект свежести: воздух не высушивается.
4. Низкая конвекция (тепловое движение объемов воздуха) снижает количество пыли, поднимаемой с пола.
5. Отсутствие эффекта «жженого воздуха» в отличие от обогревателей с высокой температурой рабочей поверхности.

6. Возможность дополнительного приобретения и установки блока дистанционного управления, позволяющего включать/выключать обогреватель, устанавливать таймер на его отключение с пульта дистанционного управления (ПДУ).

Область применения

Инфракрасные обогреватели предназначены для основного, дополнительного и местного обогрева промышленных, производственных, бытовых и аналогичных помещений (квартиры, офисы, предприятия торговли, спортзалы, учебные заведения, предприятия общественного питания, склады, ангары, предприятия агропромышленного комплекса и т.п.). При применении в детских учреждениях только в качестве дополнительного обогрева.

Технические характеристики

Технические характеристики инфракрасного обогревателя приведены в таблице 1.

Таблица 1

Наименование	Ед. Изм.	Модель		
		TCH A3 1000	TCH A3 1500	TCH A3 2000
Номинальная потребляемая мощность	Вт	1000	1500	2000
Номинальная сила тока	А	4,5	6,8	9,1
Номинальное напряжение питания	В/Гц	-220/50	-220/50	-220/50
Класс влагозащиты		IP20	IP20	IP20
Класс электрозащиты		Class I	Class I	Class I
Рекомендуемая максимальная высота установки	м	2,5	2,7	3,5
Вес нетто	кг	2,0	2,9	3,6
Размеры	мм	50x935x110	50x1360x110	50x1785x110

Более подробное описание технических параметров и характеристик смотрите на сайте www.timberk.com или спрашивайте у официальных дилеров Timberk.



ВНИМАНИЕ!

Производитель оставляет за собой право для разных партий поставок без предварительного уведомления изменять комплектующие части изделия (включая заливаемые \ засыпаемые составляющие), не влияя при этом на основные технические параметры изделия или улучшая их, а также не нарушая изменениями принятые на территории страны производства \ транзита \ реализации стандарты качества и нормы законодательства.

Это может повлечь за собой изменение веса и габаритов изделия, но не более чем на +/- 5-20% (могут отличаться для разного вида изделий).



ПРИМЕЧАНИЕ:

Площадь обогрева в таблице указана ориентировочно, т.к. площадь обогрева зависит не только от мощности обогревателя, но и от типа помещения, высоты потолка, материала стен, потолков, количества и площади остекления, наличия дверей и др.



ВНИМАНИЕ!

При длительном нахождении в зоне обогрева расстояние от излучающих пластин обогревателя до человека или животного при температуре воздуха в помещении ниже +11°C должно быть не менее 1,8 м.

Минимальные расстояния от обогревателя до других поверхностей

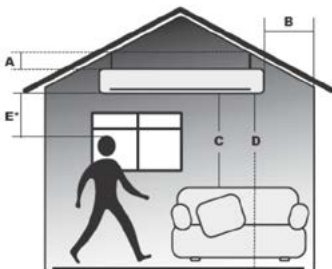


Рис.1

Минимальные расстояния от обогревателя до других поверхностей согласно рис. 1 приведены в таблице 2.

Таблица 2

Размеры, мм	Модель		
	ТСН А3 1000	ТСН А3 1500	ТСН А3 2000
A	78	78	78
B	150	150	150
C	600	600	600
D	2500	2700	3500
E*	700	700	700

* При длительном нахождении в зоне обогрева

4. ОПИСАНИЕ ИНФРАКРАСНОГО ОБОГРЕВАТЕЛЯ

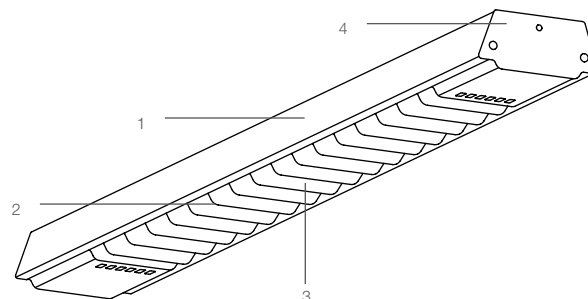


Рис.2

1. Корпус обогревателя
2. Защитная решетка
3. Нагревательный элемент
4. Боковая крышка

5. КОМПЛЕКТ ПОСТАВКИ

1. Инфракрасный обогреватель - 1 шт
2. Крепёжный комплект - 1 шт
3. Руководство по эксплуатации - 1 шт
4. Гарантийный талон - 1 шт



ПРИМЕЧАНИЕ:

Для улучшения качества продукции, конструкция и технические характеристики инфракрасного обогревателя, а также его комплектация могут быть изменены производителем без предварительного уведомления.

6. УСТАНОВКА



ВНИМАНИЕ!

Работы по монтажу инфракрасного обогревателя и подключению его к электрической сети должны производить только квалифицированные специалисты в соответствии с «Правилами устройства электроустановок» и «Правилами техники безопасности при эксплуатации электроустановок».

Монтаж инфракрасного обогревателя

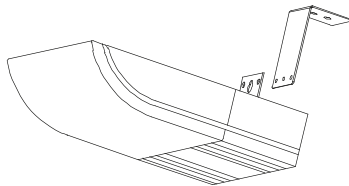


Рис.3

1. Раскройте заводскую упаковку и аккуратно извлеките из неё обогреватель.
2. Достаньте крепёжный комплект.
3. В соответствие с рис. 1 и таблицей 2 определите место установки обогревателя на потолке или на потолочных конструкциях с соблюдением минимальных расстояний от предметов и минимального расстояния от пола.
4. Установите кронштейны на расстоянии друг от друга, закрепив их с помощью цепи или крепежа. (Рис. 3).
5. Подвесьте обогреватель на кронштейны в соответствии с рис. 3, закрепив сначала один край, а потом другой. Убедитесь, что винты надёжно затянуты.



ПРИМЕЧАНИЕ:

1. В зависимости от материала и устройства потолочных конструкций, обогреватель крепится на соответствующие крепёжные элементы, выбираемые из условия прочности. Прочность потолка, либо конструкций, за которые крепится обогреватель, должна быть достаточной, чтобы выдерживать 5-кратную массу обогревателя.
2. Конструкция инфракрасного обогревателя допускает его установку на стене на высоте не менее 1,80 м. от пола и с дополнительной защитой от контакта с нагревательным элементом прибора.



ВНИМАНИЕ!

После установки обогревателя, перед первым включением необходимо протереть прибор и нагревательный элемент спиртом, после чего прикасаться к нагревательному элементу ЗАПРЕЩЕНО.

Подключение к электрической сети

1. Обогреватель предназначен для подключения к электрической сети с однофазным напряжением ~220В, 50Гц и контуром заземления.
2. Перед подключением убедитесь, что параметры электросети в ме-

сте подключения соответствуют параметрам, указанным на маркировочной табличке с техническими данными прибора.

3. Подключение обогревателя к электрической сети следует производить кабелем с сечением жил не менее 1,5 мм² и установкой в электрической сети автоматического выключателя с номинальной силой тока не ниже 16А.

4. Для подключения обогревателя к электрической сети необходимо:

- снять крышку с обогревателя.
- прорезать отверстие в резиновом уплотнении.
- ввести электрический кабель в обогреватель.
- закрепить оголённые концы электрического кабеля в соединительной колодке обогревателя, жёстко притянув их винтами, в строгом соответствии с нанесённой на ней маркировкой.
- установить крышку на место.



ПРИМЕЧАНИЕ:

Инструкция по подключению блока дистанционного управления, приобретаемого отдельно, находится в его упаковке.

7. ЭКСПЛУАТАЦИЯ ИНФРАКРАСНОГО ОБОГРЕВАТЕЛЯ

1. Перед включением обогревателя убедитесь в отсутствии влаги на корпусе прибора и на нагревательном элементе.
2. После первого включения обогревателя на короткое время может появиться жжёный запах. Это нормально. Если запах сохраняется длительное время, немедленно отключите обогреватель от электрического питания и обратитесь в сервисную службу.
3. Для исключения появления жженого запаха при использовании обогревателя в будущем рекомендуется содержать его в чистоте, не допуская скапливания на нем пыли.
4. В течение нескольких минут после включения обогревателя, на нагревательном элементе могут появиться черные точки. Это нормально

и не влияет на работу прибора.

5. Не рекомендуется долго смотреть на нагревательный элемент обогревателя, это может вызвать ухудшения зрения и порчу здоровья.



ВНИМАНИЕ!

При эксплуатации могут быть слышны легкие потрескивания в момент нагрева или остывания, исчезающие с выходом обогревателя на рабочий режим.

8. ОБСЛУЖИВАНИЕ

1. При эксплуатации необходимо периодически (1 раз в год) проводить проверку исправности контактов электрического кабеля, затяжку клеммных разъемов.
2. При загрязнении корпуса пыль протирать влажной салфеткой, нагревательный элемент, в холодном состоянии, протирать спиртом.



ПРИМЕЧАНИЕ:

Нагревательный элемент протирать мягкой тряпкой смоченной в спирте, не оставляющей после себя на поверхности царапины. Использование других жидкостей запрещено!

9. ТРАНСПОРТИРОВКА И ХРАНЕНИЕ

1. Прибор в упаковке изготовителя можно транспортировать на любое расстояние всеми видами закрытого транспорта при температуре от -50 °С до +50 °С и относительной влажности до 80% (при температуре воздуха +25 °С) в соответствии с правилами перевозки грузов, действующих на данном виде транспорта.
2. При транспортировании должны быть исключены любые возможные удары и перемещения упаковки внутри транспортного средства.
3. Упакованный прибор должен храниться в крытых вентилируемых помещениях при температуре воздуха -10 °С до +50 °С при относи-

тельной влажности до 80% (при температуре воздуха +25 °С). В помещении не должно быть агрессивных примесей, вызывающих коррозию.

4. При транспортировке и хранении должны строго соблюдаться требования манипуляционных знаков на упаковке прибор.

Температурные требования*	Транспортировка и хранение	От -30° до +50°
Требования к влажности*		От 15% до 85% (нет конденсата)

Мы изучаем новые технологии и постоянно улучшаем качество нашей продукции. Технические характеристики, конструкция и комплектация могут быть изменены без предварительного уведомления.

* Продукция должна храниться в сухих, проветриваемых складских помещениях при температуре не ниже -30°

10. УСТРАНЕНИЕ НЕИСПРАВНОСТЕЙ

Возможные неисправности и методы их устранения:

Неисправность	Причина	Способ устранения
1. Обогреватель плохо греет	1. Неисправен нагревательный элемент	1. Обратиться в авторизованный сервисный центр «Timberk»
	2. Низкое напряжение в электросети	2. Проверить напряжение в электросети
2. Обогреватель не работает	1. Отсутствует напряжение в электросети	1. Проверить наличие напряжения в электросети
	2. Обрыв электрического кабеля	2. Проверить целостность электрического кабеля и при необходимости заменить его
	3. Неисправен автоматический выключатель электрической сети	3. Проверить работоспособность автоматического выключателя электрической сети и при необходимости неисправный выключатель заменить
	4. Обрыв в цепи нагревательного элемента	4. Обратиться в авторизованный сервисный центр «Timberk»

Если неисправность не удастся устранить в соответствии с рекомендациями или при возникновении других неисправностей обратитесь в авторизованный сервисный центр Timberk.

11. ПРИНЦИПИАЛЬНАЯ ЭЛЕКТРИЧЕСКАЯ СХЕМА

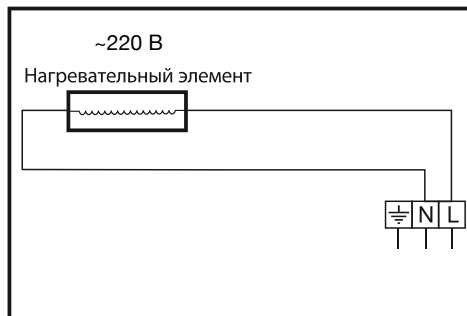


Рис.4

12. УТИЛИЗАЦИЯ

По окончании срока службы инфракрасный обогреватель следует утилизировать в соответствии с нормами, правилами и способами, действующими в месте утилизации. Подробную информацию по утилизации инфракрасного обогревателя Вы можете получить у представителя местного органа власти.

Срок службы прибора указан в гарантийном талоне.

13. ИНФОРМАЦИЯ О СЕРТИФИКАЦИИ

Изделие соответствует директиве ЕЕС 89/336, касающейся электромагнитного оборудования

Гарантируется безотказная работа изделия в соответствии со сроками, указанными в гарантийном талоне. Обязательно ознакомьтесь с условиями гарантии и требуйте от продавца правильного и четкого заполнения гарантийного талона.

Гарантийный талон вложен в упаковку изделия

Timberk снимает с себя любую ответственность за возможный вред, прямо или косвенно нанесенный продукцией Timberk людям, домашним животным, имуществу в случае, если это произошло в результате несоблюдения правил и условий эксплуатации, установки изделия, умышленных или неосторожных действий потребителя или третьих лиц.

Товар сертифицирован на территории России органом по сертификации: рег. № РОСС RU.0001.11AB71

ПРОДУКЦИИ ООО «ОПТИМАТЕСТ».

Фактический адрес: 123308, г. Москва, ул. Мневники, д. 3, корп. 1, оф. 323; Юридический адрес: 115162, г. Москва, Павла Андреева ул., дом №28, корпус 4, тел. +7 495 6044266, факс +7 495 6044266

Орган по сертификации может обновляться ежегодно. При отсутствии копии нового сертификата в коробке, спрашивайте копию у продавца

Товар соответствует требованиям нормативных документов:

ГОСТ Р 52161.2.30-2007

ГОСТ Р 51318.14.1-2006 р.4

ГОСТ Р 51318.14.2-2006 р.5,7

ГОСТ Р 51317.3.3-2008

ГОСТ Р 51317.3.2-2006 р.6,7

№ сертификата: TCRU C-IL.AB71.B.00079

Сертификат обновляется ежегодно. При отсутствии копии нового сертификата в коробке, спрашивайте копию у продавца

Срок действия: с 05.07.2012 до 04.07.2015

Изготовитель:

«Тимберк Хоум Хиатинг Эпплаенсис Компани» Хамасгер стрит, 10, Эй-лат, Израиль 88000

Телефон/факс +972-8-637-88-311

Импортер*:

ООО «КлиматКомфорт»

Адрес: РФ, 111024, г. Москва, ул. 5-я Кабельная, д.2Б, стр. 1

телефон: +7 499 653 7356

По вопросам сервисной поддержки приобретённого товара просьба обращаться:

ООО «Авангард Холго»

Адрес: РФ, 125195, г. Москва, Ленинградское шоссе, д. 57, стр.12

Телефон: +7 495 627 52 85

Серийный номер изделия, месяц и год изготовления указаны в составе ID LINE кода изделия, наклеенного на изделие и/или упаковку изделия. Месяц и последние цифры года внутри кода расположены после знака тире в указанном порядке.

* Данные могут быть изменены в связи со сменой производителя, продавца, производственного филиала и/или импортера в РФ и/или страны ЕТС. Актуальную информацию Вы можете получить из содержания действующего на момент продажи сертификата соответствия, а также из данных этикетки, которой маркируется упаковка изделия до даты последующей продажи дистрибьютором на территории РФ или стран ЕТС.

www.btpart.ru



Все расходные материалы для продукции Timberk вы можете приобрести на сайте **WWW.BTPART.RU**

Уважаемый покупатель!

Timberk предоставляет Вам специальный сервис в рамках программы клиентской поддержки. Теперь Вы всегда сможете заказать и оформить доставку на запасные части и расходные материалы, необходимые для оптимальной, качественной работы техники Timberk в течение всего срока службы на едином портале www.btpart.ru.

Всю информацию о работе портала Вы также всегда сможете увидеть на сайте www.timberk.com. Мы искренне надеемся, что этот уникальный дополнительный сервис поможет вам сделать жизнь с Timberk еще удобнее!





RU

**Руководство по эксплуатации
техники Timberk написано
на английском языке и
переведено на русский язык.**



BY

В целях информирования покупателей техники Timberk, мы дополнительно сообщаем, что русский является государственным языком в следующих государствах:

- в Российской Федерации
- в Республике Беларусь наряду с белорусским языком
- в частично признанной Южной Осетии наряду с осетинским языком



OS



KZ

Русский язык является официальным языком (во всех случаях другой язык или другие языки выступают как государственный или второй официальный) в следующих государствах и на территориях:



AK



KG

- в Республике Казахстан
- в Киргизской Республике
- в административных единицах Украины, где доля носителей русского языка составляет более 10%, при соответствующем решении местных советов
- в Автономной Республике Крым



UA



TJ

В Республике Таджикистан русский язык признан по Конституции языком межнационального общения.



CIS

Официальным языком международной организации Содружество Независимых Государств (СНГ) является русский язык.



timberk
УМНЫЙ ВЫБОР

Если вы заметили ошибку в инструкции, пожалуйста, сообщите нам об этом, связавшись с нами по электронной почте, указанной на сайте www.timberk.com

If you found any mistake in this manual please let us know by email listed on www.timberk.com



www.timberk.com



AB71