

WATERWORKS

JULIA

Julia Wall Mounted Two Hole Bridge Low Profile Kitchen Faucet,
Metal Cross Handles

JUKM02



SHOWN IN JULIA WALL MOUNTED TWO HOLE BRIDGE LOW PROFILE KITCHEN FAUCET, METAL CROSS HANDLES| JUKM02

TECHNICAL DETAILS

ADA Compliance: Yes
Adjustable versus Fixed Spray: Fixed Spray
Escutcheon Primary Material: Brass
Fittings Hole Diameter: 1 1/8"
Flow Restriction Options: 1.5, 1.0
Handle Spread Maximum: 6"
Handle Spread Minimum: 6"
Handle Turn Angle: Quarter Turn
Index Color / Finish and Material: White Porcelain
Depth / Width: 12 1/2"
Height: 5 1/4"
Index Marking: Hot/Cold
Inlet Connection Size: 1/2"
Inlet Connection Type: Male NPT
Inlet Supply Spread Maximum: 6 3/8"
Inlet Supply Spread Minimum: 5 5/8"
Installation Type: Wall Mounted
Length: 8 1/2"
Number of Handles: Two
Number of Holes: Two Hole
Primary Material: Brass
Restricted Maximum Flow Rate: 2.2 gpm
Spout Swivel: Y
Spray Included in Unit: N
Suggested Application: Bar, Kitchen, Laundry
Valve Material: Ceramic
Water Pressure Maximum: 85.0 psi
Water Pressure Minimum: 20.0 psi
Water Pressure Recommended: 45.0 psi

INSPIRATION

An interpretation of 1920s French country, Julia speaks to decoration and intricate design displayed through beautifully composed turnings. These details embody the robust, signature high profile spout enabling Julia to transition fluidly from informal to formal environments.

CODES & STANDARDS

Code # JUKM02: Complies with ASME A112.18.1/CSA B125.1, NSF 61, NSF 372, CEC, ADA and 0.25% Weighted Average Lead Content. Certified with IAPMO, cUPC, NSF, CEC, DOE and State of MA.

PRODUCT FEATURES

Metal cross handles
Swivel spout
Stocked in Chrome, Nickel, Matte Nickel, and Unlacquered Brass
Stocked in 2.5gpm (9.5L/min) flow rate. Alternate flow regulation of 1.75gpm (6.6/min) also available as special order

CERTIFICATIONS

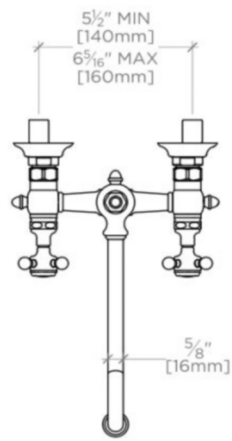


WATERWORKS

JULIA

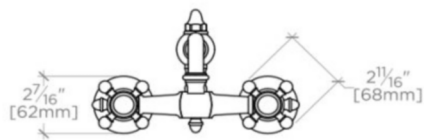
JUKM02

Julia Wall Mounted Two Hole Bridge Low Profile Kitchen Faucet,
Metal Cross Handles



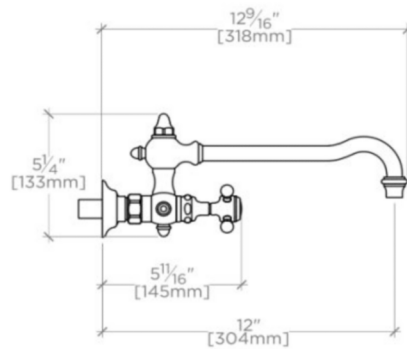
TOP VIEW

SCALE: 1 1/2"=1'-0"



FRONT VIEW

SCALE: 1 1/2"=1'-0"



SIDE VIEW

SCALE: 1 1/2"=1'-0"