

# BASIN TAP WA500



50 x 172 x 161 mm

Normal pressure

- Single-lever basin tap without waste fitting in robust, germ-reducing and easy-care stainless steel (AISI 303).
- Version: normal pressure. Operating pressure 2–6 bar.
- Solid rectangular stainless steel body; visible surfaces satin finished. Further available surfaces: see below.
- High quality ceramic mixer cartridge with adjustable temperature limit setting (scald protection).
- Neoperl® air bubble spray M24 x 1 mm.
- Design height: 172 mm  
Outlet height: 92 mm  
Projection: 97 mm  
Length of lever: 65 mm
- Wear parts can be replaced as modules.
- Installation dimensions: Ø 33-40 mm  
Surface thickness max. 40 mm
- Mounting: With one counternut.
- Delivery includes fixing material and two flexible connecting hoses clad in stainless steel.
- Weight, including single package: 2.2 kg



## Suggested text for specifications:

Single-lever basin tap in stainless steel (AISI 303) for counter mounting. Version: normal pressure. Solid rectangular stainless steel body; visible surfaces satin finished. Ceramic mixer cartridge with adjustable temperature limit setting. Delivery includes fixing material and two flexible connecting hoses clad in stainless steel.

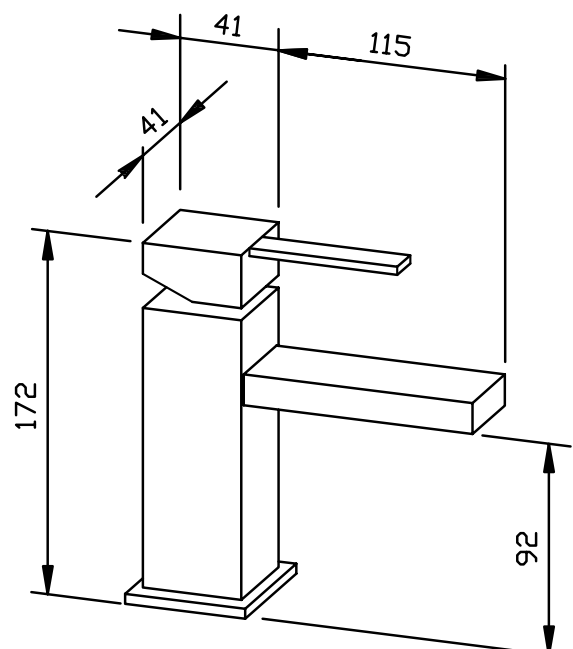
Dimensions: 50 x 172 x 161 mm

Outlet height 92 mm

Projection 97 mm

Length of lever 65 mm

Article No. WA500



Available surfaces	ID No.
satin finished (standard)	924 265
highly polished	931 265

## Ernst Wagner GmbH & Co. KG

Ernst-Abbe-Straße 21 · D-72770 Reutlingen · Tel.: +49712151539-0 · Fax: -20  
info@wagner-ewar.de · www.wagner-ewar.de

WAGNER  
EWAR