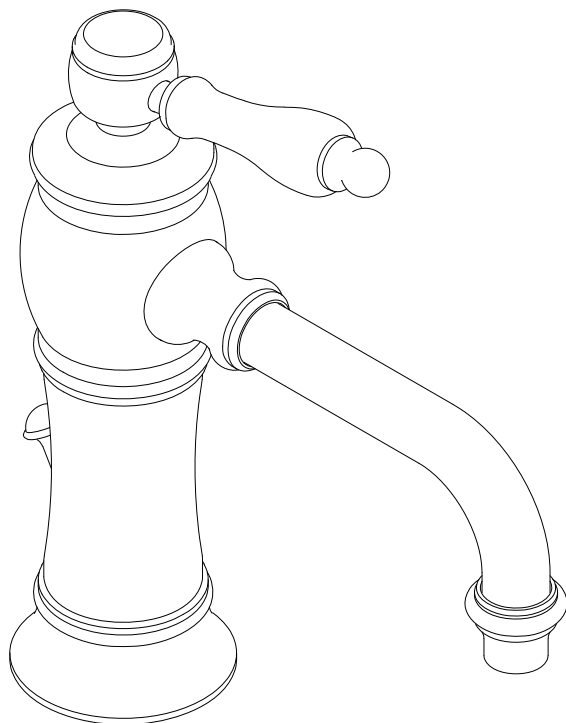


STYLE No: 501523
REFERENCE No: JULS09



- Be sure your installation conforms to all federal, state, and local codes.
- In the State of Massachusetts, all installations must comply with the rules and regulations set forth within 248 CMR.
- This product must be installed by a professional licensed contractor.
- Refer to the specification and assembly drawings attached. Product is sold partially assembled but shown fully disassembled for illustrative and service purposes only.
- Inspect this product to ensure you have all parts required for proper installation.
- Use only a strap wrench or protected/smooth-jaw wrench on any finished surface.
- DO NOT use putty on deck fittings. Upper and lower washers are provided.

SPOUT INSTALLATION:

1. Remove the mounting hardware (23-25) from the spout.
2. With the lift rod assembly (29-30) installed insert the spout assembly (1-22) through the hole on the mounting surface.
3. Re-attach the mounting hardware to the threaded rod (14), making sure the lift rod (30) operate smoothly.
4. Tighten the barrel nut (25) to secure the spout to the mounting surface. NOTE: The nut can be flipped to accommodate different mounting surface thicknesses.

DRAIN INSTALLATION:

5. Remove the upper drain body (44) from the drain assembly and discard the upper drain gasket (45).
6. Set the upper drain body (44) in the lavatory drain opening using putty or a clear adhesive silicone depending on the mounting surface material.* Attach the lower drain body (35) making sure to use the lower drain gasket (46) provided and tighten until fully secured. Putty or a clear adhesive silicone may be used to ensure a water-tight seal between the drain seal and lavatory.*
7. Remove the nut (32) from the lower drain body and insert the pivot rod (33) then re-attach the nut.
8. Connect the lift rod to the pivot rod using the linkage (31) provided. NOTE: Rods may be field cut.

SPECIFICATIONS:

Drain Depth Maximum: $1\frac{3}{4}$ "
Drain Depth Minimum: $1\frac{3}{8}$ "
Drain Hole Diameter: $1\frac{3}{4}$ "
Drain Style: Pop-up (Drain Included)
Hot Limit Safety Stop: Yes
Inlet Connection Size: $\frac{3}{8}$ "
Inlet Connection Type: Straight Female Threads
Maximum Deck Thickness: $1\frac{9}{16}$ "
Maximum Water Pressure: 80psi
Minimum Water Pressure: 20psi
Fittings Hole Diameter: $1\frac{1}{4}$ "
Recommended Water Pressure: 45psi
Restricted Maximum Flow Rate: 2.2gpm
Spout Reach: $5\frac{13}{16}$ "
Spout Swivel: Yes

IMPORTANT:

- To ensure this product is installed properly, you must read and follow these guidelines.
- The owner/user of this product must keep this information for future reference.

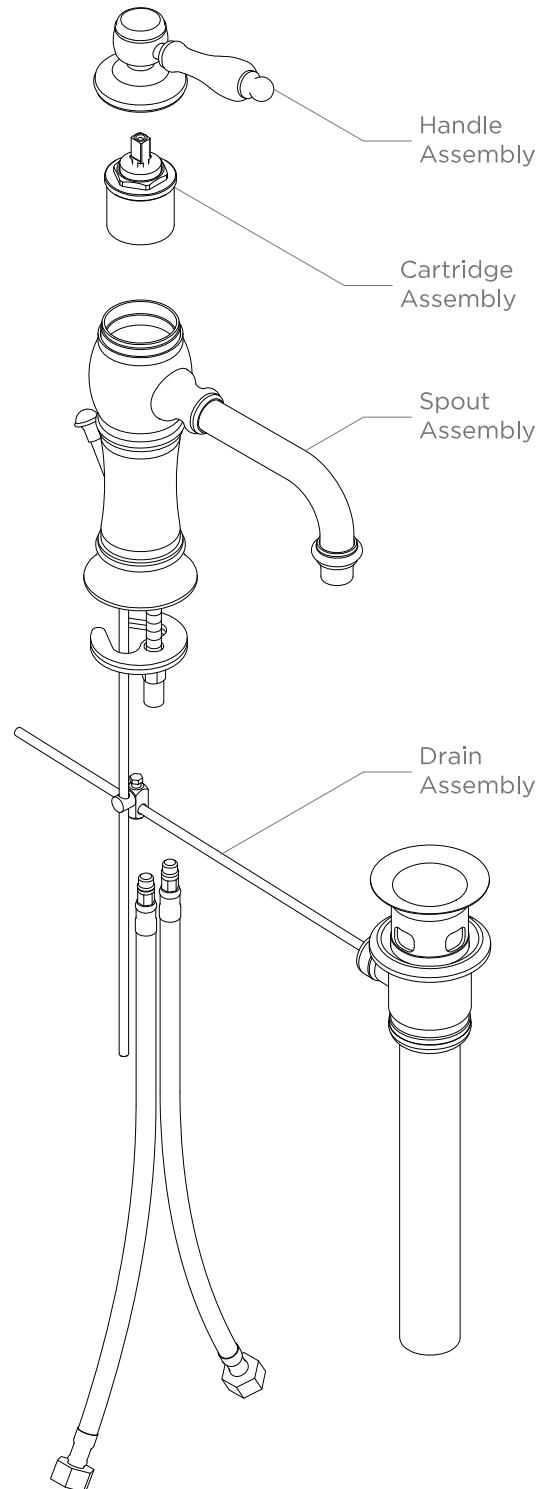
These guidelines have been prepared for the professional contractor to aid in the installation of:
JULIA BRIDGE ONE HOLE DECK MOUNTED LAVATORY FAUCET WITH METAL LEVER HANDLE(JULS09).
All dimensions are based on origin specification and are subject to change and variation.
Please consult your Design Associate for current specifications.

WATERWORKS

9. Attach the tail piece (37) using the washer (36) and nut (38) provided.
10. Connect the supply hose (15) to the water supply valves (not supplied).

INSPECT THE INSTALLATION:

11. Remove the aerator (27) from the spout (11) then carefully open the valve to flush out any debris in the supply lines.
 12. Inspect all connections for leaks.
 13. Close the drain and fill the sink to make sure the stopper assembly (39-43) operates and seals properly.
 - 13a. To adjust the height of the drain stopper turn the adjustment screw (43) at the base of the stopper and then tighten the nut (42) to secure.
 - 13b. The linkage (31) position will effect stopper function, adjust as needed.
 14. Close the valve and re-install the aerator.
 15. The cartridge includes an integrated hot limit safety stop. Remove the handle assembly (1-8) to expose the cartridge (10) then adjust the red collar on the cartridge to the desired temperature.
- If further assistance is required, please contact Product Support at 1-800-927-2120 Ext. 3 (9am-6pm EST).
- * Putty contains oil and can cause permanent discoloration on certain materials such as marble, granite and any porous surface.

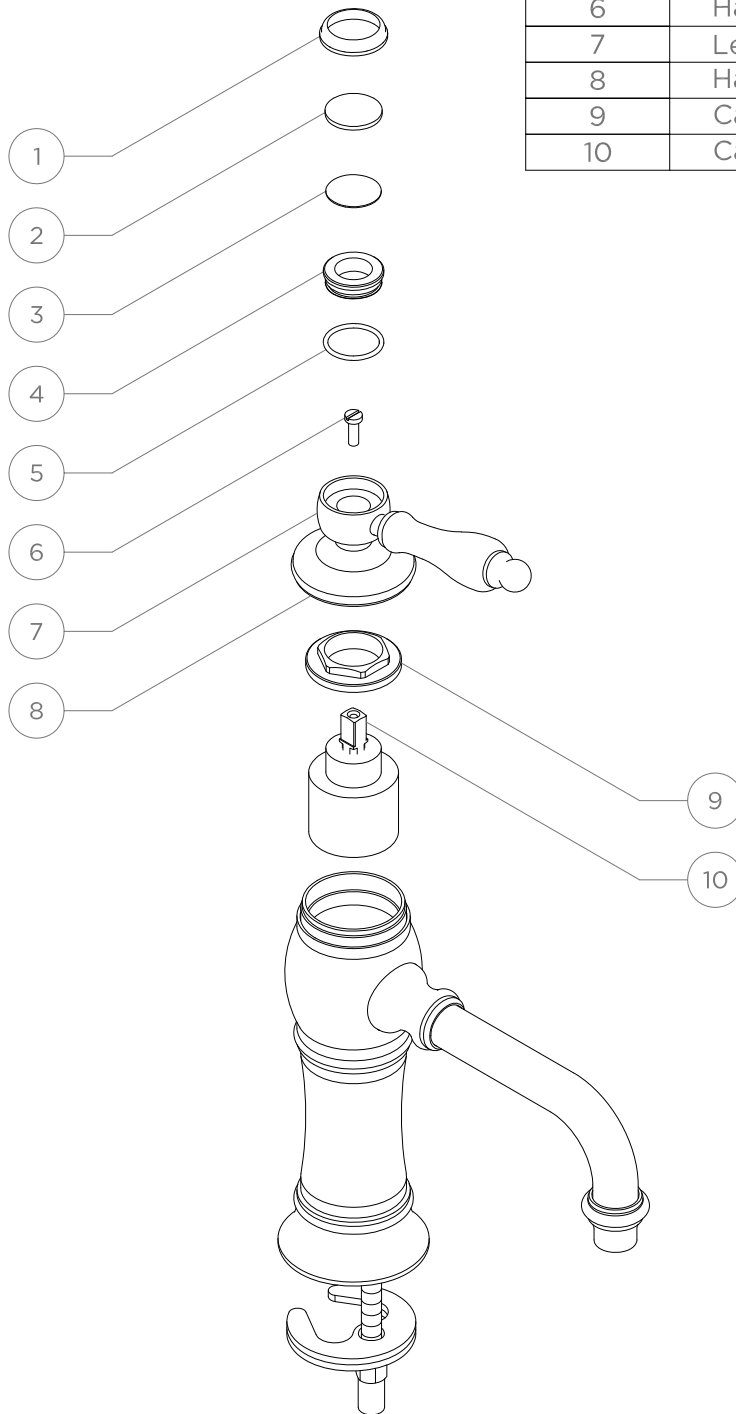


These guidelines have been prepared for the professional contractor to aid in the installation of:
JULIA BRIDGE ONE HOLE DECK MOUNTED LAVATORY FAUCET WITH METAL LEVER HANDLE(JULS09).
All dimensions are based on origin specification and are subject to change and variation.
Please consult your Design Associate for current specifications.

WATERWORKS

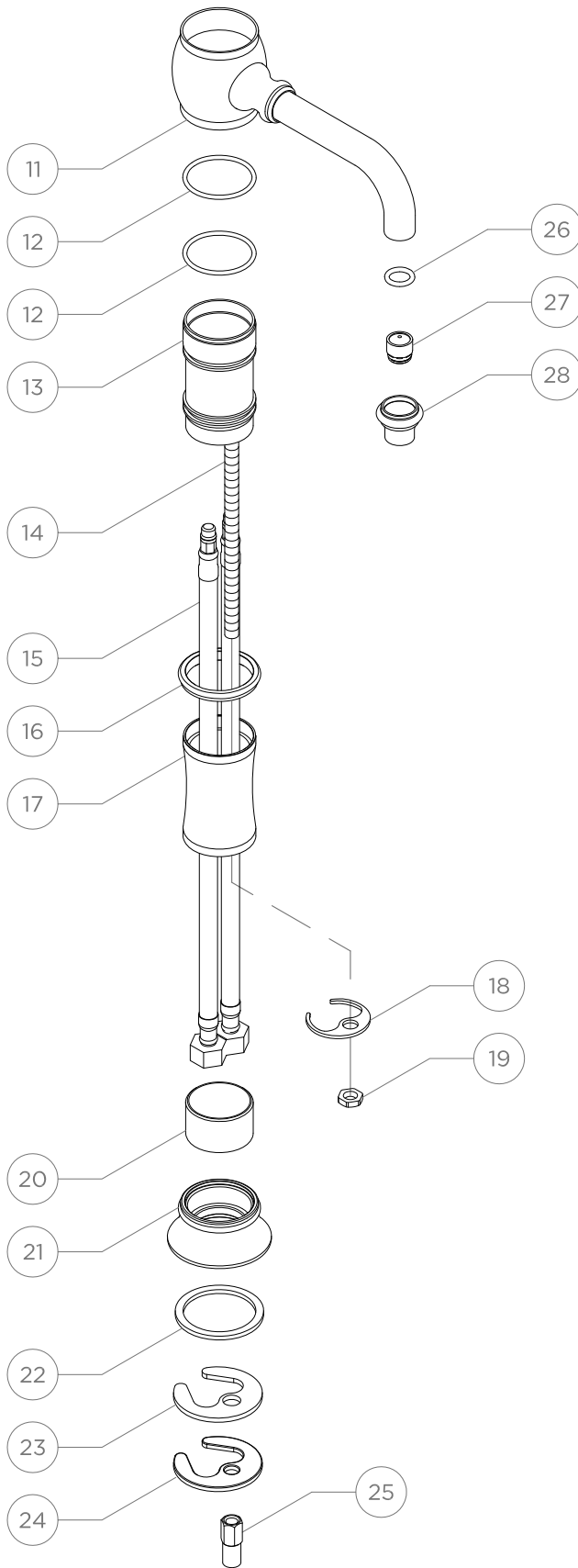
HANDLE AND CARTRIDGE

ITEM NO.	DESCRIPTION	QTY.
1	Indice Collar	1
2	Indice	1
3	Adhesive Pad	1
4	Indice Hub	1
5	Indice Hub O-Ring	1
6	Handle Screw, Slotted	1
7	Lever Handle	1
8	Handle Retaining Collar	1
9	Cartridge Retaining Collar, 26mm Hex	1
10	Cartridge	1



These guidelines have been prepared for the professional contractor to aid in the installation of:
JULIA BRIDGE ONE HOLE DECK MOUNTED LAVATORY FAUCET WITH METAL LEVER HANDLE(JULS09).
 All dimensions are based on origin specification and are subject to change and variation.
 Please consult your Design Associate for current specifications.

WATERWORKS

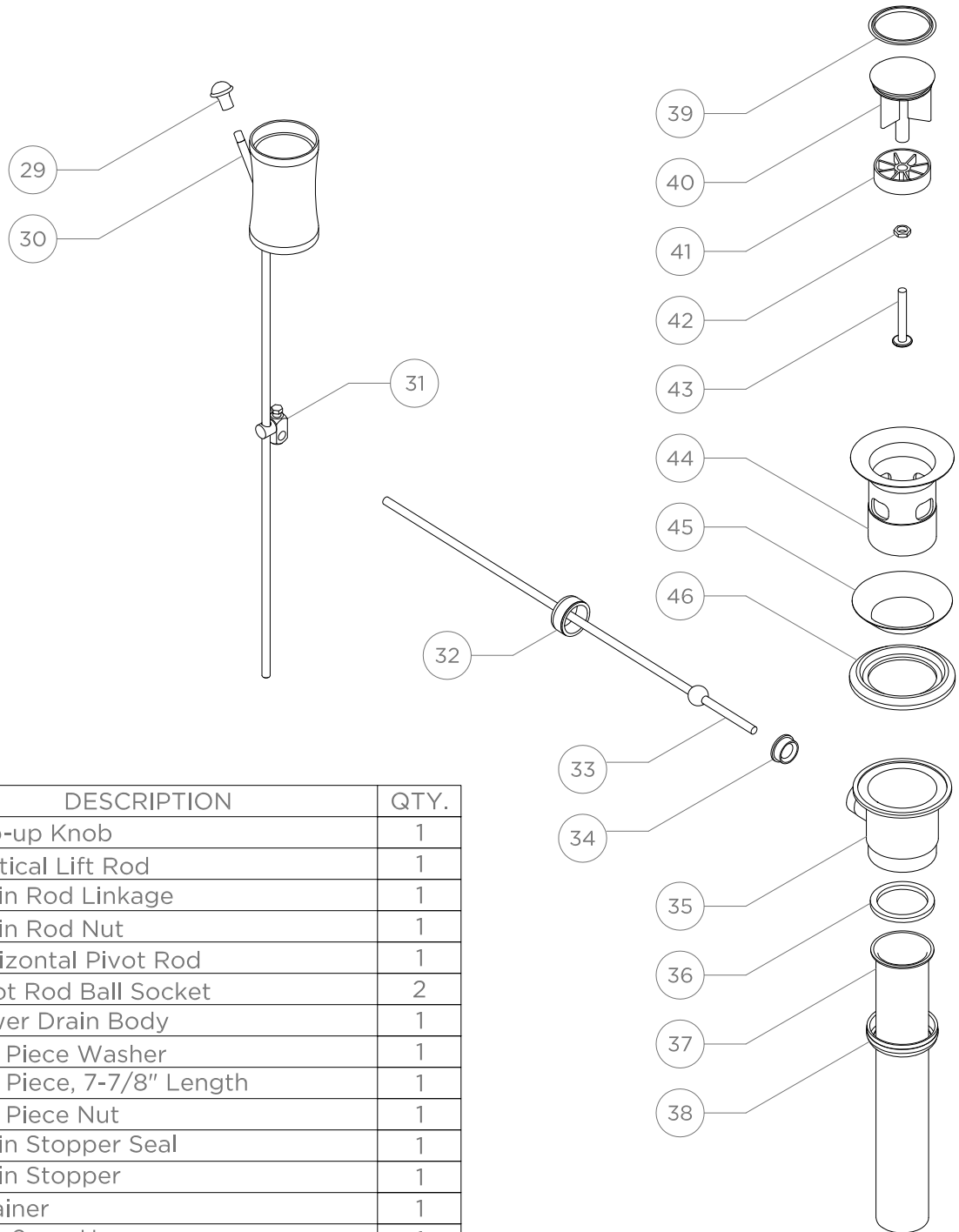


SPOUT

ITEM NO.	DESCRIPTION	QTY.
11	Spout	1
12	Spout O-Ring	2
13	Valve Body	1
14	Threaded Rod	1
15	Flexible Supply Hose	2
16	Collar	1
17	Spout Column	1
18	Retaining Washer	1
19	Retaining Nut, 13mm Hex	1
20	Bushing	1
21	Escutcheon	1
22	Upper Deck Gasket	1
23	Lower Deck Gasket	1
24	Spout Mounting Washer	1
25	Barrel Nut, 11mm Hex	1
26	Aerator O-Ring	1
27	Aerator, 2.2gpm	1
28	Aerator Housing	1

These guidelines have been prepared for the professional contractor to aid in the installation of:
JULIA BRIDGE ONE HOLE DECK MOUNTED LAVATORY FAUCET WITH METAL LEVER HANDLE(JULS09).
 All dimensions are based on origin specification and are subject to change and variation.
 Please consult your Design Associate for current specifications.

WATERWORKS



DRAIN

ITEM NO.	DESCRIPTION	QTY.
29	Pop-up Knob	1
30	Vertical Lift Rod	1
31	Drain Rod Linkage	1
32	Drain Rod Nut	1
33	Horizontal Pivot Rod	1
34	Pivot Rod Ball Socket	2
35	Lower Drain Body	1
36	Tail Piece Washer	1
37	Tail Piece, 7-7/8" Length	1
38	Tail Piece Nut	1
39	Drain Stopper Seal	1
40	Drain Stopper	1
41	Strainer	1
42	Nut, 9mm Hex	1
43	Adjustment Screw, Phillips Head	1
44	Uppper Drain Body	1
45	Upper Drain Gasket	1
46	Lower Drain Gasket	1

These guidelines have been prepared for the professional contractor to aid in the installation of:
JULIA BRIDGE ONE HOLE DECK MOUNTED LAVATORY FAUCET WITH METAL LEVER HANDLE(JULS09).
 All dimensions are based on origin specification and are subject to change and variation.
 Please consult your Design Associate for current specifications.

WATERWORKS