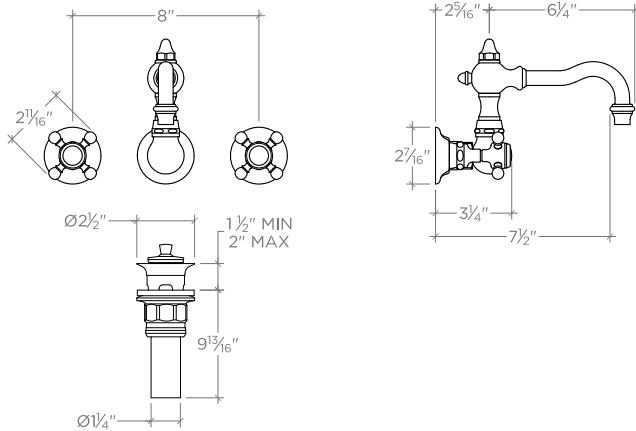


JULS39-K (Cross Handles) & GUSV27R (Rough)

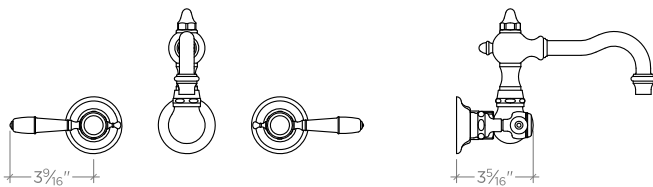


- Check countertop and sink measurements to assure the spout projects far enough into the sink.
- Inspect this product to assure you have all parts required for proper installation.
- Use only a strap wrench or protected/smooth-jaw wrench on any finished surface.
- Do NOT use putty during this installation.

ROUGH IN:

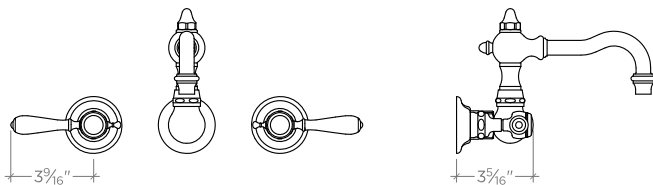
- Rough in Depth: 3" from center of inlets to surface of the finished wall.
- Rough in Height: 3 3/4" minimum from center of cartridge stem to surface of counter top to allow for lever handle clearance in the open position.

JULS40-K (Metal Lever Handles) & GUSV25R (Rough)



1. Run 1/2" hot and cold supply lines. The spread between supplies is 8" on center and is NOT adjustable.
2. Install a well supported 1/2" sweat x 1/2" female IPS adapter onto each supply line.
3. Verify the supplies are secure, level, at the proper spread of 8" and equal depths.
4. Remove the nuts from the valve body inlets then pull out the inlet adapters.
5. Slide the nut over the inlet adapter and thread them into the supplies. Use a 10 mm hex wrench to tighten the adapters.
6. Align the valve body onto the supplies making sure that the o-ring does not get pinched then tighten the nuts to secure the valve.
7. Verify the supplies and valve body are secure then turn on the supplies and check for leaks.
8. Install a 1/2" brass nipple (not supplied) and cap into valve tee.

JULS41-K (White Porcelain Lever Handles) & GUSV25R (Rough)
JULS42-K (Black Porcelain Lever Handles) & GUSV25R (Rough)



IMPORTANT:

- To ensure this product is installed properly, you must read and follow these guidelines.
- The owner/user of the faucet must keep this information for future reference.
- This faucet must be on-site prior to rough in and allows the installer to visualize the installation and match the 8" center spread.
- Be sure your installation conforms to all federal, state, and local codes.
- Refer to the specification and assembly drawings attached. Faucet is sold partially assembled but shown fully disassembled for illustrative and service purposes only.

HANDLE INSTALLATION:

9. Remove the indice assembly (1-3) as 1 unit from the handle by unthreading the indice collar (1) off of the handle.
10. Mark the male end of the trim sleeve (10) at a point that is 7/8" from the surface of the finished wall (see Figure 1).
11. Remove the trim sleeve and cut it at the mark made in step 10.

These guidelines have been prepared for the professional contractor to aid in the installation of:
JULIA BRIDGE THREE HOLE WALL MOUNTED LAVATORY FAUCET (JULS39-K, 40-K, 41-K & 42-K)
 All dimensions are based on origin specification and are subject to change and variation.
 Please consult your Design Associate for current specifications.

WATERWORKS

12. Make a mark on the splined stem (9) at a point that is $1\frac{1}{8}$ " from the surface of the finished wall (see Figure 1).
13. Remove the cartridge and cut the splined stem (9) at the mark made in step 12.
14. Reinstall the cartridge and trim sleeve then thread the escutcheon (9) onto the trim sleeve (10) until the escutcheon contacts the wall.
15. Thread on the gland cover (8) and attach the handle (5-7) using the screw (4) provided and reinstall the indice assembly (1-3).
16. Repeat these steps for the other handle assembly.

SPOUT INSTALLATION:

17. Thread a $\frac{1}{2}$ " IPS brass nipple (not supplied) of appropriate length into the valve tee.
18. Wrap the nipple with Teflon tape and thread on the spout adapter (13). Tighten the spout adapter using a 14mm hex wrench.
19. Slide the spout escutcheon (11-12) onto the adapter.
20. Attach the spout assembly (15-30) by tightening the nut (17) make sure the washer (14) is in place.

DRAIN INSTALLATION:

Note: This faucet does not use a lift rod to operate the drain stopper. Instead, it uses a simple lift-and-turn drain that is closed and opened by twisting the stopper.

21. Remove the upper collar (36) from the pop-up drain assembly and discard the upper gasket (37).
22. Set the upper collar in the lavatory drain opening using a clear adhesive silicone.
23. Re-attach the lower drain assembly (39) using the gasket (38) provided then tighten until fully secured. A clear adhesive silicone may be used to ensure water-tight seal between the gasket and lavatory.
24. Attach the tail piece (41) using the washer (40) provided. DO NOT over-tighten the tailpiece nut (42); hand tight is adequate.

INSPECT THE INSTALLATION:

25. Remove the flow restrictor assembly (27-30) from the spout. Carefully open the hot and cold valves to flush out any debris in the supply lines.
26. Inspect all connection for leaks. Reinstall the flow restrictor assembly.

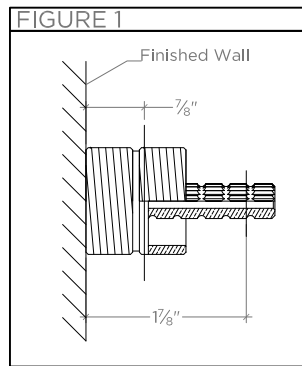
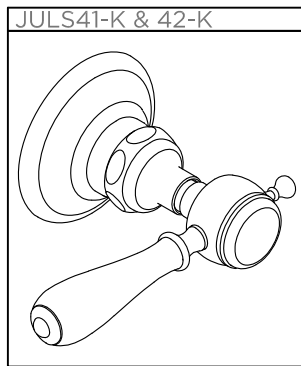
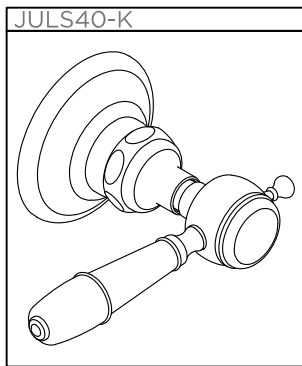
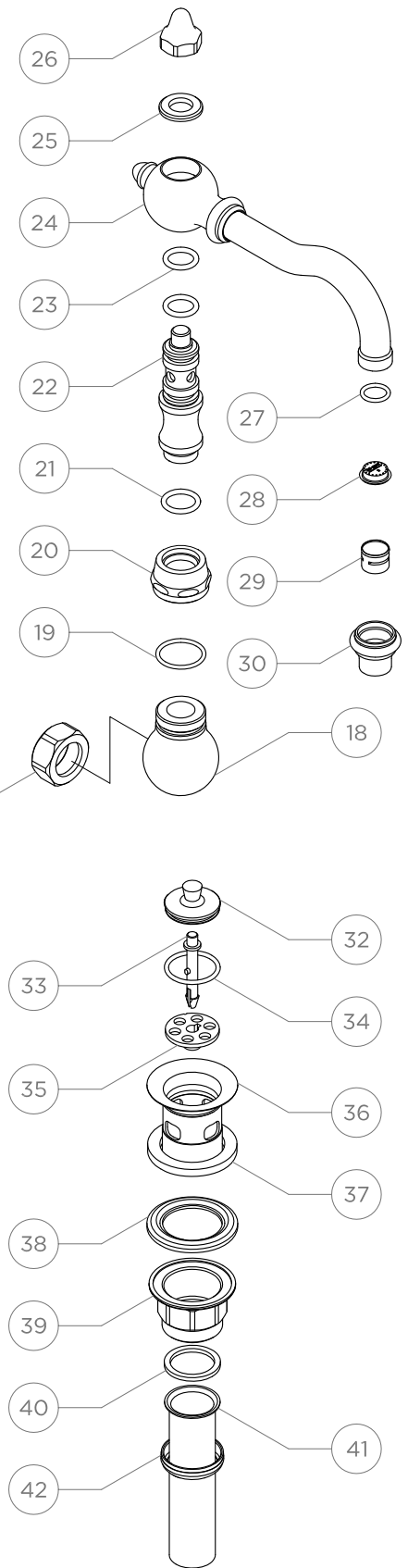
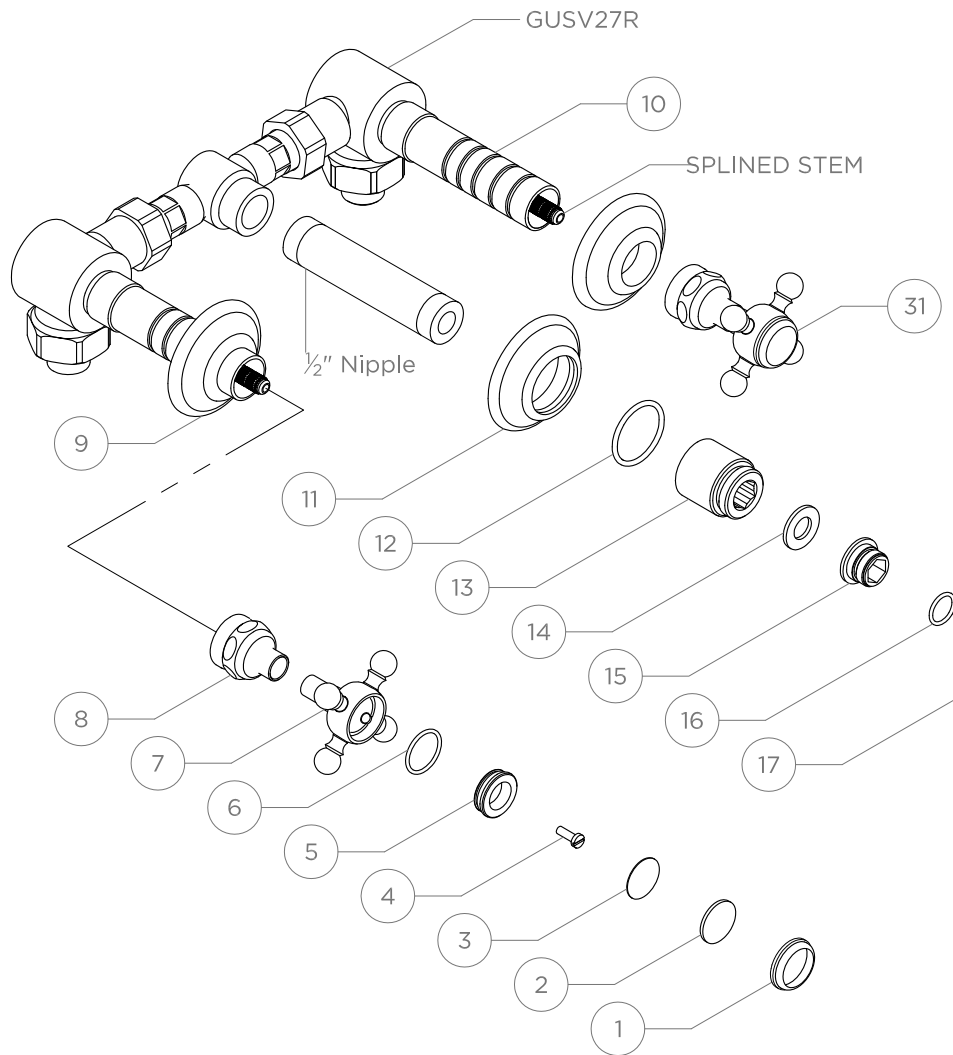
27. Twist the drain stopper (32) to close the drain then fill the sink with water to make sure the stopper operates and the stopper seal works properly.
 28. Lift and turn the stopper to let the water out of the sink.
- If further assistance is required, please contact Product Support at 1-800-927-2120 (8am-7pm EST).

These guidelines have been prepared for the professional contractor to aid in the installation of:
JULIA BRIDGE THREE HOLE WALL MOUNTED LAVATORY FAUCET (JULS39-K, 40-K, 41-K & 42-K)
 All dimensions are based on origin specification and are subject to change and variation.
 Please consult your Design Associate for current specifications.

WATERWORKS

JULS39-K (Cross Handles) & GUSV27R (Rough)

- GUSV27R SOLD SEPARATELY
- 1/2" BRASS NIPPLE NOT SUPPLIED



These guidelines have been prepared for the professional contractor to aid in the installation of:
JULIA BRIDGE THREE HOLE WALL MOUNTED LAVATORY FAUCET (JULS39-K, 40-K, 41-K & 42-K)
 All dimensions are based on origin specification and are subject to change and variation.
 Please consult your Design Associate for current specifications.

WATERWORKS

JULS39-K (Cross Handles)

ITEM NO.	DESCRIPTION	QTY.
1	Index Collar, Julia	2
2	Indice (Hot), White Porcelain	1
3	Pad, Adhesive, Rubber	2
4	Screw, Slotted, M4, 14.6mm Length	2
5	Handle Hub Collar, Julia	2
6	O-Ring, 20.5mm ID x 1.8mm Width, Rubber	2
7	Cross Handle Assembly, Julia	2
8	Gland Cover, Julia	2
9	Escutcheon	2
10	Trim Sleeve	2
11	Escutcheon, Spout	1
12	O-Ring, 30mm ID x 2.5mm Width, Rubber	1
13	Spout Coupler, 14mm Hex	1
14	Washer, 12mm ID x 23mm OD x 2mm Thickness, Fiber	1
15	Coupler	1
16	O-Ring, 14mm ID x 1.8mm Width, Rubber	1
17	Nut, 29mm Wrench	1
18	Trim Tubing, Elbow	1
19	O-Ring, 22.5mm ID x 2mm Width, Rubber	1
20	Gland Cover, Julia	1
21	O-Ring, 15.5mm ID x 2.6mm Width, Rubber	1
22	Spout Body, Julia	1
23	O-Ring, 13.6mm ID x 2.7mm Width, Rubber	2
24	Spout, Julia	1
25	Collar, Julia	1
26	Spout Cap, Julia	1
27	O-Ring, 12mm ID x 2mm Width, Rubber	1
28	Flow Restrictor, 2.2 GPM	1
29	Aerator	1
30	Insert Housing, Julia	1
31	Indice (Cold), White Porcelain	1
32	Lift-and-Turn Drain Stopper, Julia	1
33	Stem, Drain Stopper	1
34	O-Ring, 33mm ID x 2.9mm Width, Rubber	1
35	Drain Stopper Base	1
36	Upper Drain Body	1
37	Washer, 45mm ID x 62mm OD x 6mm Thickness, Rubber	1
38	Formed Gasket, Drain Seal	1
39	Lower Drain Body	1
40	Washer, 31mm ID x 39mm OD x 3mm Thickness, Rubber	1
41	Tail Piece, 7-7/8" Length	1
42	Tail Piece Nut	1

These guidelines have been prepared for the professional contractor to aid in the installation of:
JULIA BRIDGE THREE HOLE WALL MOUNTED LAVATORY FAUCET (JULS39-K, 40-K, 41-K & 42-K)
 All dimensions are based on origin specification and are subject to change and variation.
 Please consult your Design Associate for current specifications.

WATERWORKS