

218 x 298 x 121 mm

Sensor 950 ml soap, 950 ml tank disinfectant

- Sensor combination consisting of a sensor liquid soap- and disinfectant dispenser in robust, germ-reducing and easy-care stainless steel (AISI 316L).
- All-stainless steel housing; all corners fully welded, visible surfaces satin finished and brushed. Further available surfaces: see below.
- Sensor soap dispenser with EWAR® eModule touch-free operated and non-drip soap pump. Designed for standard 950 ml disposable bottles of liquid soap. Also refillable with large container using the plug-in tank as an option.
- Sensor disinfectant dispenser with EWAR® eModule touch-free operated disinfectant pump with 950 ml tank. Designed for standard disinfectants for hands. Note: Not approved for medical areas.
- Inspection slots to indicate fill level.
- Accessible for refilling through lockable, hinged housing.
- Keyed alike cylinder lock in corrosion-resistant zinc die-casting.
- eModule battery-powered with two 1.5 V Baby/LR14 batteries. Power supply available as an option.
- Wear parts can be replaced as modules.
- Mounting: With four screws through key holes and one optional anti-theft hole in the back wall.
- Delivery includes fixing material, batteries and first fill with soap.
- Weight, including single package: 4.0 kg

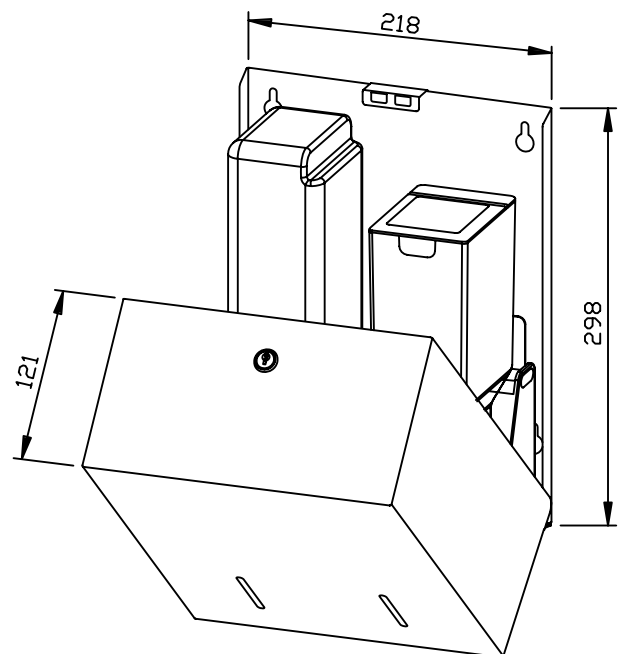


Suggested text for specifications:

Sensor combination consisting of a sensor liquid soap and disinfectant dispenser in stainless steel (AISI 316L) for surface mounting. All-stainless steel housing; all corners fully welded, visible surfaces satin finished and brushed. Sensor soap dispenser with touch-free operated and non-drip soap pump. Designed for standard 950 ml disposable bottles of liquid soap. Sensor disinfectant dispenser with touch-free operated disinfectant pump with 950 ml tank. Designed for standard disinfectants for hands. Inspection slots to indicate fill level. Accessible for refilling through lockable, hinged housing. Keyed alike cylinder lock in corrosion-resistant zinc die-casting. Delivery includes fixing material, batteries and first fill with soap.

Dimensions: 218 x 298 x 121 mm

Article No. WP585e-7



Options	ID No.
Plug-in tank	937 201
Power supply for eModule	923 060
Available surfaces	ID No.
satin finished (standard)	727 726
highly polished	731 726
(coloured) plastic powder-coating	728 726

Ernst Wagner GmbH & Co. KG

Ernst-Abbe-Straße 21 · D-72770 Reutlingen · Tel.: +49712151539-0 · Fax: -20
info@wagner-ewar.de · www.wagner-ewar.de