



Persuade® Curv Comfort Height®

two-piece elongated dual-flush toilet

K-75790

Features

- Two-piece toilet.
- Elongated bowl offers added room and comfort.
- Comfort Height® feature offers chair-height seating that makes sitting down and standing up easier for most adults.
- Left-hand nested trip lever (K-9237) offers a choice of 1.0 or 1.6 gallons per flush (gpf).
- Skirted trapway simplifies cleaning.
- Combination consists of the K-4326 bowl and the K-19042 tank.
- Coordinates with other products in the Persuade Curv collection.
- Standard 12" (305 mm) rough-in only. Cannot be combined with K-5383, or K-5381 for use in 10" or 14" installations.

Technology

- Dual-flush technology allows you to choose between a full- or partial-flush.

Installation

- Standard 12" (305 mm) rough-in.
- Patented ReadyLock™ installation system is a simple solution for skirted toilets that saves time, hassle and eliminates the need to drill into the floor for a standard 12" (305 mm) rough-in.
- Seat not included.

Water Conservation & Rebates

- Eligible for consumer rebates in some municipalities.
- This product can help a building earn Water Efficiency points in LEED® Green Building Rating System.

Recommended Products/Accessories

K-5588 Purefresh® Elongated Toilet Seat
 K-4008 Reveal® Quiet-Close™ Elongated Toilet Seat
 K-4636 Cachet® Quiet-Close™ Elongated Toilet Seat
 K-9237 Dual-flush Trip Lever
 1265114 Connector Hose
 K-23726 Drain treatment

Included Components

Product consists of:

K-4326 Elongated chair height toilet bowl
 K-19042 Toilet tank, dual-flush

Additional Components:

Hardware kit
 Left-hand dual flush trip lever
 ReadyLock™ installation system
 Tank cover



ADA CSA B651 OBC

Codes/Standards

ASME A112.19.14
 ASME A112.19.2/CSA B45.1
 DOE - Energy Policy Act 1992
 EPA WaterSense®
 California Energy Commission (CEC)
 ADA
 ICC/ANSI A117.1
 CSA B651
 OBC

KOHLER® Toilets and Seats Limited Warranty

See website for detailed warranty information.

Available Colors/Finishes

Color tiles intended for reference only.

Color	Code	Description
	0	White
	96	Biscuit
	47	Almond
	NY	Dune
	95	Ice™ Grey
	7	Black Black™

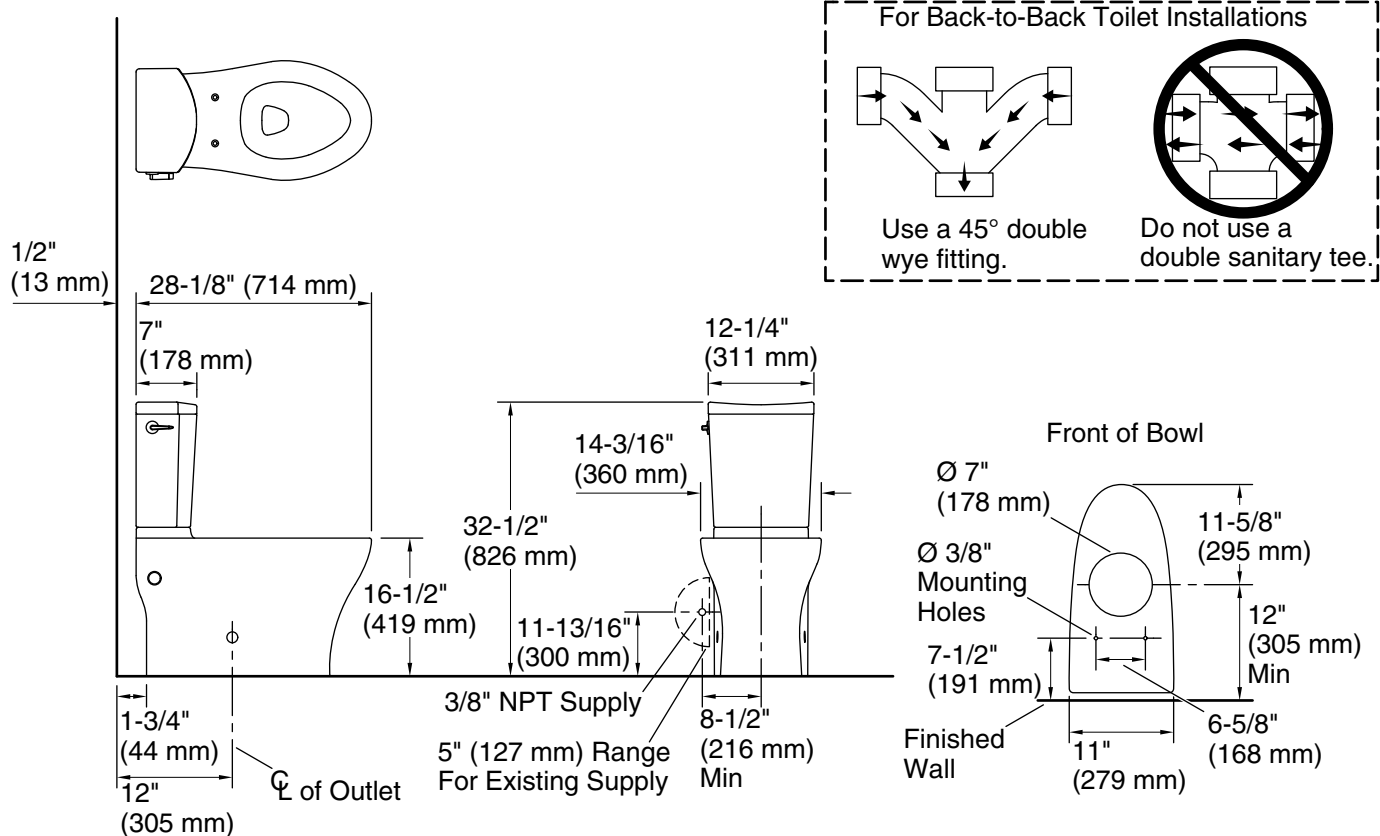
1-800-4KOHLER (1-800-456-4537)

Kohler Co. reserves the right to make revisions without notice to product specifications.

For the most current Specification Sheet, go to www.kohler.com.

3-5-2020 07:44 - US/CA

THE BOLD LOOK
 OF **KOHLER**®



Technical Information

All product dimensions are nominal.

Toilet type:	Two-piece, Floor-mount
Waste Outlet:	Floor
Bowl shape:	Elongated
Trap passageway:	2-5/16" (58 mm)
Water Consumption	
Full:	1.6 gpf (6 lpf)
Reduced:	1 gpf (3.8 lpf)
Water surface size:	4-1/2" x 5-3/4" (114 mm x 146 mm)
Rim to water surface:	8-1/2" (216 mm)
Rough-in:	12" (305 mm)
Seat-mounting holes:	5-1/2" (140 mm)

Notes

Install this product according to the installation instructions.

IMPORTANT! The rough-in must be 12" (305 mm) or more from the base of the wall or baseboard. Install or relocate the supply and outlet as necessary to conform to rough-in dimensions.

If this toilet is installed in new construction, install a new supply stop following the dimensions in the diagram.

In installations with the supply stop installed, the existing supply stop may need to be relocated if it is less than 8-1/2" (216 mm) from the centerline of the toilet. Dry fit the toilet to confirm if the supply stop needs to be relocated.

The supplied hose will extend roughly 6" (152 mm) from the toilet. If the supplied hose does not reach the supply stop, a longer supply hose may be used.

For back-to-back toilet installations: Use only a 45° double wye fitting.