



# IB RUBINETTI

Collection

**BOLD**

Article

**B1392**

Description

**Three holes washbasin with low spout**

Box Dimensions

**455 x 310 x 75 mm**

Weight

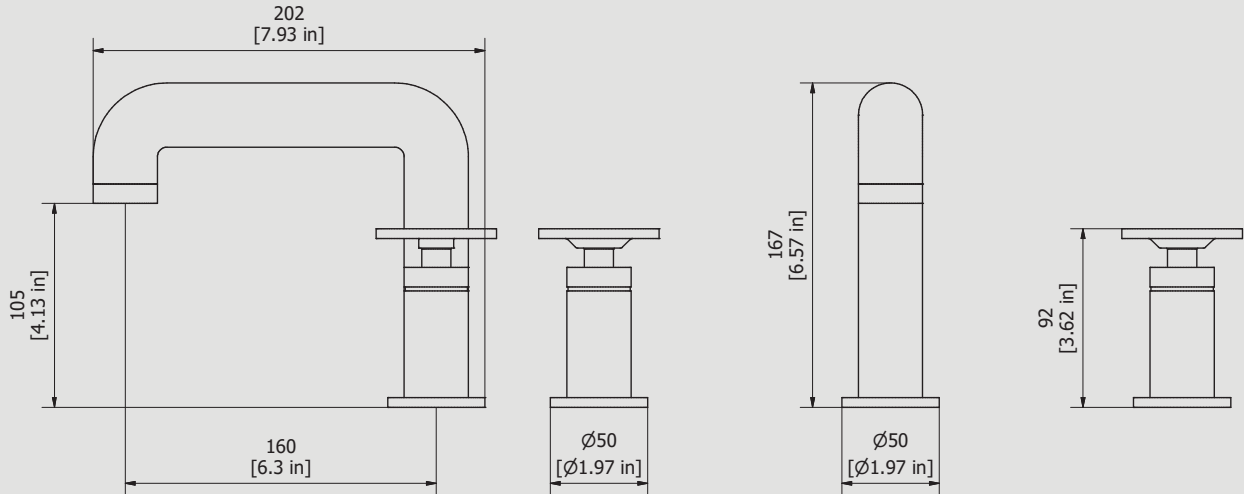
**2.2 kg**



Finishes

- **CC**  
CHROME
- **CF**  
BLACK CHROME
- **OO**  
GOLD
- **BB**  
ANTIQUÉ BRONZE
- **SS**  
BRUSHED NICKEL
- **CS**  
BRUSHED BLACK CHROME
- **BO**  
MATT WHITE
- **NP**  
MATT BLACK
- **IS**  
BRUSHED PALE GOLD
- **OS**  
BRUSHED GOLD
- **II**  
PALE GOLD
- **RR**  
ANTIQUÉ COPPER
- **RS**  
ROSE GOLD
- **ON**  
NATURAL BRASS
- **SR**  
BRUSHED ROSE GOLD
- **PL**  
PLATINUM

Dimensions



Cartridge

**G1/2" ceramic cartridge**

Threaded fitting

**G1/2" male**

Aerator

**M24x1**

Flow Rate (+/-10%)

**1 BAR  
3.3 l/min**

**2 BAR  
4.4 l/min**

**3 BAR  
4.5 l/min**

Production

**Main body is a single casted pieces**

Material

**BRASS  
According to CuZn35Pb2Al-B (CB752S)  
Max Lead content: 1.36%**

IB RUBINETTERIE s.p.a  
via dei Pianotti 3/5  
25068 Sarezzo (BS) - Italy -

T. +39 030 802101  
F. +39 030 803097  
info@ibrubinetterie.it

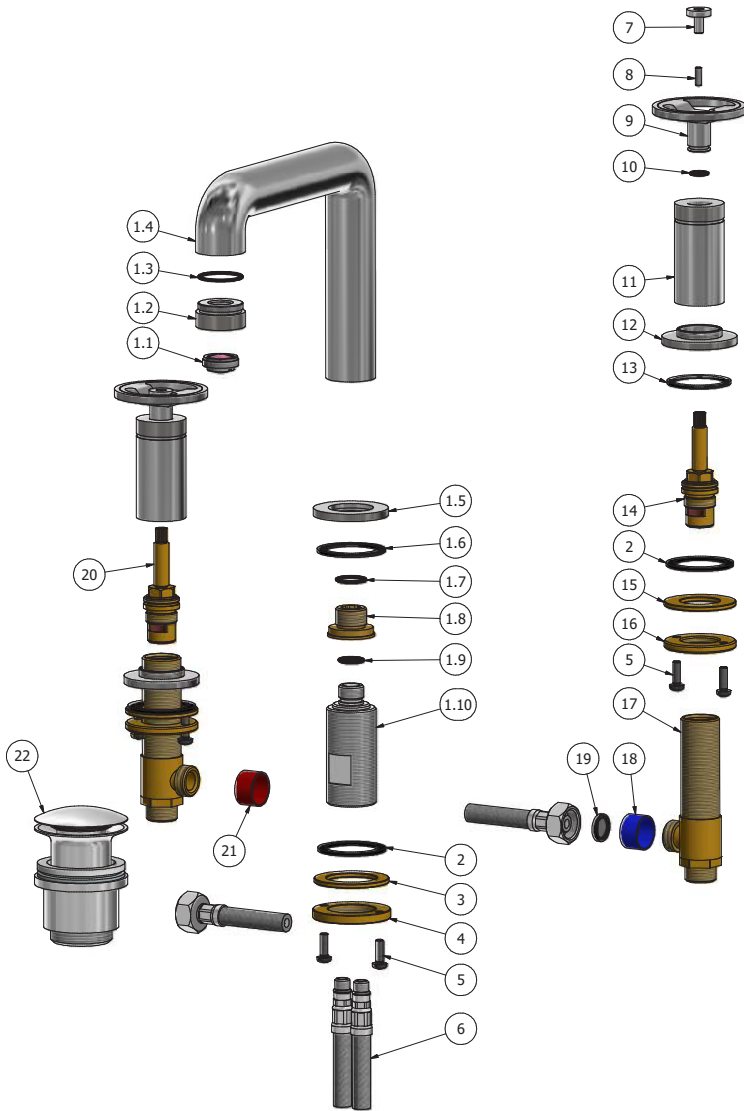
P.IVA 01785230986  
capitale sociale  
€420.000,00 i.v.

WWW.IBRUBINETTI.IT





# IB RUBINETTI



ELENCO PARTI			
ELEM	CODICE	DESCRIZIONE	QT
1	CPBD392CC-1	Premontato bocca bassa	1
1.1	AQ0015355	Perlator coin slot M24x1 1.2 gpm (45.2060.000)	1
1.2	AC0015160	Porta aeratore Ø33 M30x1.5 H16	1
1.3	AQ0010564	OR 26.7x1.78 NBR 70 SH	1
1.4	CC0002325	Bocca Ø33 H162 L193	1
1.5	AC0015168	Basetta Ø50 H5	1
1.6	AQ0008013	Guarnizione piana 45x35x2	1
1.7	AQ0004630	OR 17.16x1.78 NBR 70 SH	1
1.8	AS0015169	Riduzione G1/2" G3/8" H19	1
1.9	AQ0009818	OR 14x1.78 NBR 70 SH	1
1.10	AQ0010761	Gambo fissaggio M33x1.5 G3/8" H80	1
2	AQ0008013	Guarnizione piana 45x35x2	3
3	AS0010659	Rondella Ø50x33.5x3	1
4	AS0010658	Ghiera Ø52 M33x1.5 H6	1
5	AQ0010358	Inox screw M5x16	6
6	AQ0010273	Inox hose M10x1 G1/2" F L400	2
7	AC0015171	Vite Ø16 M4 H16	2
8	AQ0014996	Grano inox M4x12 p.p.	2
9	CC0002277	Leva tonda Ø62 H30.5 8x20	2
10	AQ0004180	OR 9.25x1.78 NBR 70 SH	2
11	AC0015170	Campana Ø33 M30x1 26x19 H67	2
12	AC0015167	Basetta Ø50 M30x1 H10	2
13	AQ0008012	Guarnizione piana 42.5x35.5x2	2
14	AQ0010528	Vitone ceramico 90° DX H38.5 8x20	1
15	AS0010697	Rondella Ø48x26.5x3	2
16	AS0010698	Ghiera W26x19F fori M5	2
17	AS0002250	Piantana W26x19	2
18	AQ0015329	Tappo G1/2" blu	1
19	AQ0010360	Guarnizione con filtro G1/2"	2
20	AQ0010529	Vitone ceramico 90° SX H38.5 8x20	1
21	AQ0015328	Tappo G1/2" rosso	1
22	AQ0009837	Scarico simple rapid 1"1/4	1

IB RUBINETTERIE s.p.a  
 via dei Pianotti 3/5  
 25068 Sarezzo (BS) - Italy -

T. +39 030 802101  
 F. +39 030 803097  
 info@ibrubinetterie.it

P.IVA 01785230986  
 capitale sociale  
 €420.000,00 i.v.

WWW.IBRUBINETTI.IT



**WARRANTY**

All IB Rubinetterie SpA products are warranted for 10 years from the date of purchase, for the following cases:

- Defects of casting, porosity and chrome plating.
- Operating defects caused by incorrect fabrication.

The warranty provides for repair or replacement of products with fabrication defects recognized by our technical office. There is no other type of compensation anche the merchandise must be returned FOB our warehouse. The warranty only cover surface defects (scatches, dings, etc.) on fitting that have not been installed and used, returned in its original packaging with all components. O-ring, gasket seals and components subject to wear proportional to use are warranted for 2 years.

**The warranty is void in the following cases:**

Error installing and putting the product into service.

Deterioration of finished surfaces due to use of cleaning products containing acids or abrasive substances. Deterioration of surface with finishes other than chrome plating. Their durability is, in fact, dependent on the user's care and gentleness of use.

Deterioration of the fitting due incorrect installation.

Improper repairs and maintenance performed without the company's prior authorization.

The warranty from IB Rubinetterie SpA is not renewable.

**Cleaning**

We recommended cleaning the finish surfaces with water and soap, using a soft cloth.

Do not use detergents that contain hydrochloric acid or abrasive substances.

