



**DANIEL**

SCHEDA TECNICA TECHNICAL FEATURES

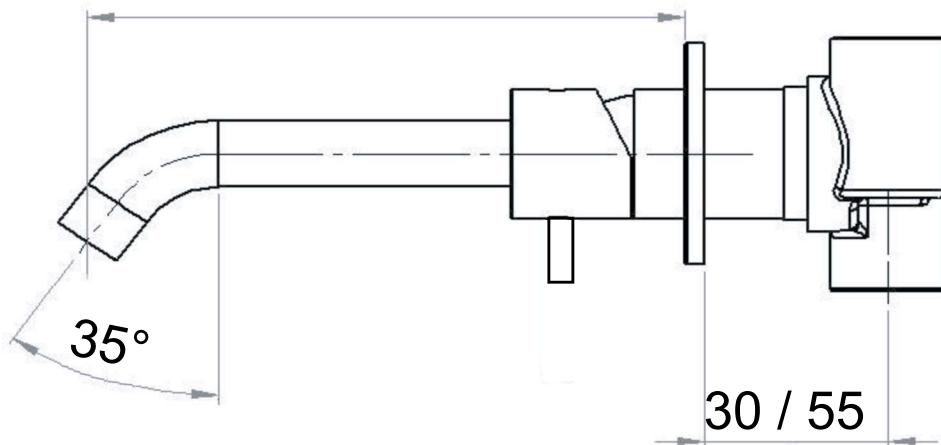
ART. COD.

**TK632P**



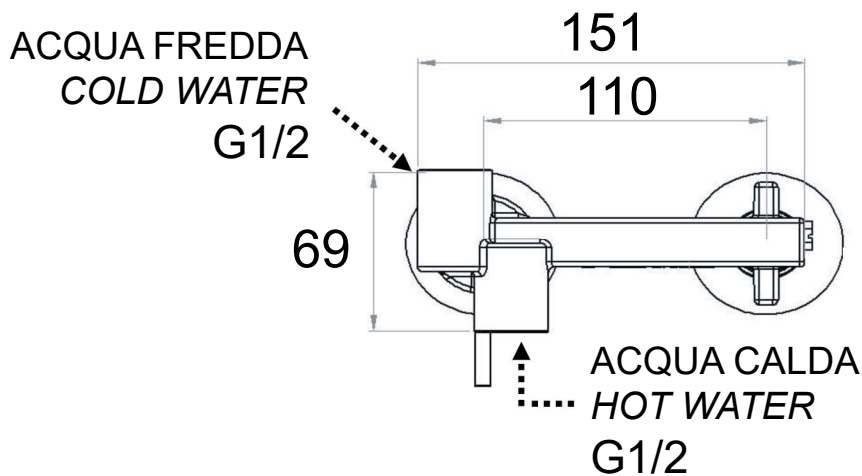
Ø 60

MAX 160



35°

30 / 55



ACQUA FREDDA  
COLD WATER  
G1/2

151

110

69

ACQUA CALDA  
HOT WATER  
G1/2

**MATERIALI / MATERIALS**

OTTONE CROMATO / CHROME PLATED BRASS

**CROMATURA / CHROME PLATING**

UNI EN 248