

RESERVE-TOILET ROLL HOLDER AC722



60 x 60 x 128 mm

- Reserve-toilet roll holder made of 6 or 3 mm thick, germ-reducing and easy-care stainless steel (AISI 304), visible surfaces bead-blasted.
- Designed for one standard toilet roll with dimensions:
Outer diameter max. 125 mm
Width max. 100 mm
Core diameter min. 38 mm
- Square base plate, with two-point attachment set back behind and anti-theft locking screw at the bottom.
- Projection 111 mm.
- Mounting with two screws.
- Delivery includes fixing material.
- Weight, including single package: 0.5 kg

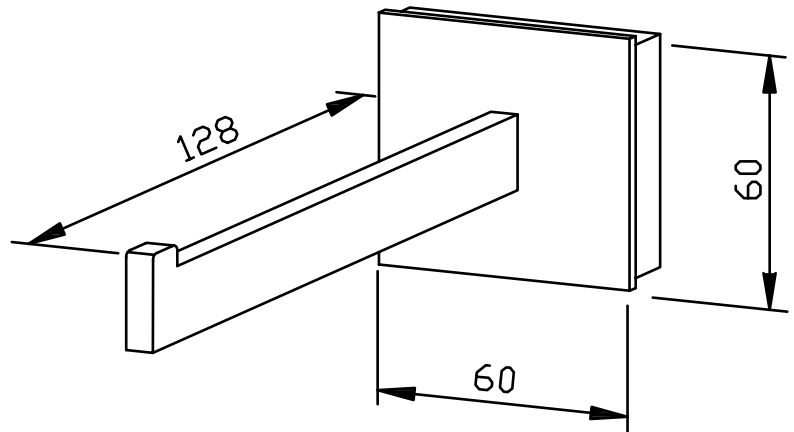


Suggested text for specifications:

Reserve-toilet roll holder made of 6 or 3 mm thick, germ-reducing and easy-care stainless steel (AISI 304), visible surfaces bead-blasted, for surface mounting. Square base plate, with two-point attachment set back behind and anti-theft locking screw at the bottom. Delivery includes fixing material.

Dimensions: 60 x 60 x 128 mm

Article No. AC722



| Available surface | ID No. |
|-------------------|---------|
| bead blasted | 700 722 |

Ernst Wagner GmbH & Co. KG

Ernst-Abbe-Straße 21 · D-72770 Reutlingen · Tel.: +49712151539-0 · Fax: -20
info@wagner-ewar.de · www.wagner-ewar.de

WAGNER
EWAR