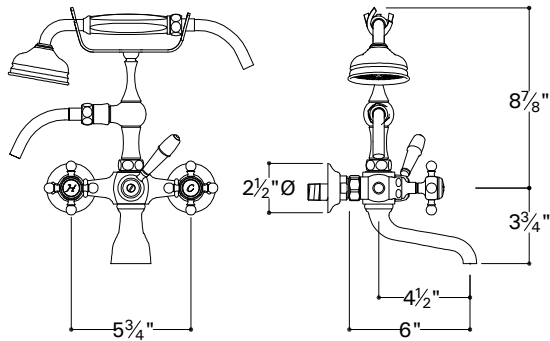


JUTU01 (white porcelain diverter and handshower)
JUTU02-K (metal diverter and handshower-MTO)
JUTU03-K (black porcelain diverter and handshower-MTO)
JUTU06 (wall unions)



IMPORTANT

- To ensure this product is installed properly, you must read and follow these guidelines.
- The owner/user of the tub filler must keep this information for future reference.
- Be sure your installation conforms to local codes. Anti scald protection is the responsibility of the installer and according to applicable codes.
- This tub filler should be on-site prior to rough in and allows the installer to visualize the installation and verify the center spread.
- An access panel must be installed for servicing and installation.
- Check tub deck and tub measurements to assure the spout projects far enough into the tub.
- Refer to the specification and assembly drawings attached. Faucet is sold partially assembled but shown fully disassembled for illustrative and service purposes only.
- Inspect this product to assure you have all parts required for proper installation.
- Use only a strap wrench or protected/smooth-jaw wrench on any finished surface.
- Install accessible hot and cold service stop valves to facilitate servicing.

- Do NOT use putty during this installation. Upper and lower washers are provided.

ROUGH IN:

IMPORTANT: Check tub deck and tub measurements to assure the spout projects far enough into the tub.

1. Run well supported 1/2" hot and cold supply lines. The spread between supplies is 5 7/8". 1 3/8" drilling for the mounting holes is recommended.

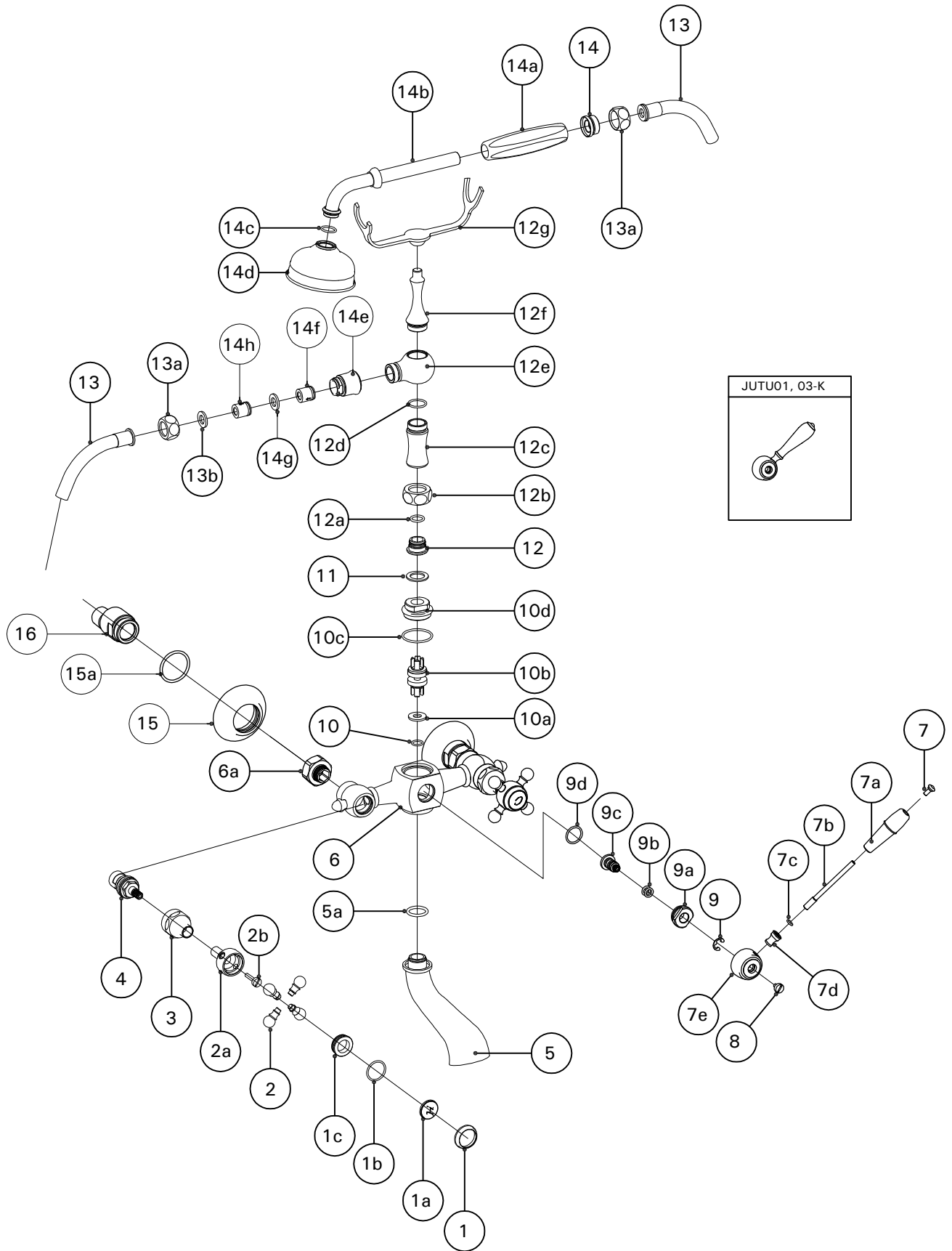
TUB FILLER INSTALLATION:

2. Apply pipe thread compound to the wall unions (16) then install into 1/2" female adapters.
3. Slide escutcheon (15, 15a) onto wall unions.
4. Install a washer into each inlet (6a) then attach the tub filler to the wall unions by tightening the nuts on the back side of the tub filler.
5. Insert a 3/4" washer (11) into the base of the cradle (12b) then secure the cradle to the tub filler by tightening the nut. The cradle can be positioned with the hose outlet pointing left or right.
6. Thread the hose onto the cradle and handshower. Note a check valve and flow restrictor are located inside the check valve housing (14e).
7. Rotate the diverter lever (7-7e) to the left then turn the hot and cold water on to flush the lines through the spout. Rotate the lever to the left and right to make sure water is diverting properly between the spout and hand shower.
8. As always, check for leaks at all connections.
9. To service the cartridge, remove the indice assembly as 1 unit (1-1c) by pulling off the trim ring (1). Loosen the handle screw (2b) and unthread the cover (3).

If further assistance is required, please contact Product Support at 1-800-927-2120 (8am-7pm EST).

These guidelines have been prepared for the professional contractor to aid in the installation of:
JULIA EXPOSED WALL MOUNTED TUB FILLER WITH HANDSHOWER AND CROSS HANDLES (JUTU01, JUTU02-K, JUTU03-K & JUTU06)
 All dimensions are based on original specification and are subject to change and variation. Please consult your Design Associate for current specifications.

W A T E R W O R K S



These guidelines have been prepared for the professional contractor to aid in the installation of: **JULIA EXPOSED WALL MOUNTED TUB FILLER WITH HANDSHOWER AND CROSS HANDLES (JUTU01, JUTU02-K, JUTU03-K & JUTU06)**
 All dimensions are based on original specification and are subject to change and variation. Please consult your Design Associate for current specifications.

W A T E R W O R K S

PARTS TABLE		
ITEM NO.	DESCRIPTION	QTY.
1	INDICE TRIM RING	1
1a	INDICE: 1 HOT, 1 COLD	2
1b	O-RING	1
1c	INDICE RETAINER	1
2	HANDLE SPOKE	8
2a	HANDLE HUB	1
2b	HANDLE SCREW	1
3	COVER	1
4	CARTRIDGE	1
5	SPOUT	1
5a	O-RING	1
6	VALVE BODY	1
6a	INLET NUT	1
7	HANDLE CAP	1
7a	HANDLE	1
7b	HANDLE SHAFT	1
7c	O-RING	1
7d	LOWER HANDLE CAP	1
7e	HANDLE BASE	1
8	SCREW, FINISHED	1
9	C-CLIP	1
9a	DIVERter CAM RETAINER	1
9b	BUSHING	1
9c	DIVERter SHAFT	1
9d	O-RING	1
10	O-RING	1
10a	WASHER	1
10b	DIVERter SHUTTLE	1
10c	O-RING	1
10d	DIVERter SHUTTLE RETAINER	1
11	WASHER, RUBBER	1
12	CRADLE NUT RETAINER	1
12a	O-RING	1
12b	CRADLE NUT	1
12c	CRADLE POST, LOWER	1
12d	O-RING	1
12e	CRADLE UNION	1
12f	CRADLE POST, UPPER	1
12g	CRADLE	1
13	HOSE	1
13a	HOSE NUT	1
13b	HOSE WASHER	1
14	HANDSHOWER BASE	1
14a	HANDSHOWER HANDLE, OUTER	1
14b	HANDSHOWER HANDLE, INNER	1
14c	O-RING	1
14d	HANDSHOWER HEAD	1
14e	CHECK VALVE HOUSING	1
14f	CHECK VALVE	1
14g	WASHER	1
14h	FLOW RESTRICTOR	1
15	FLAT ESCUTCHEON	2
15a	O-RING	2
16	WALL UNION	2

These guidelines have been prepared for the professional contractor to aid in the installation of:
JULIA EXPOSED WALL MOUNTED TUB FILLER WITH HANDSHOWER AND CROSS HANDLES (JUTU01, JUTU02-K, JUTU03-K & JUTU06)
 All dimensions are based on original specification and are subject to change and variation. Please consult your Design Associate for current specifications.

W A T E R W O R K S