

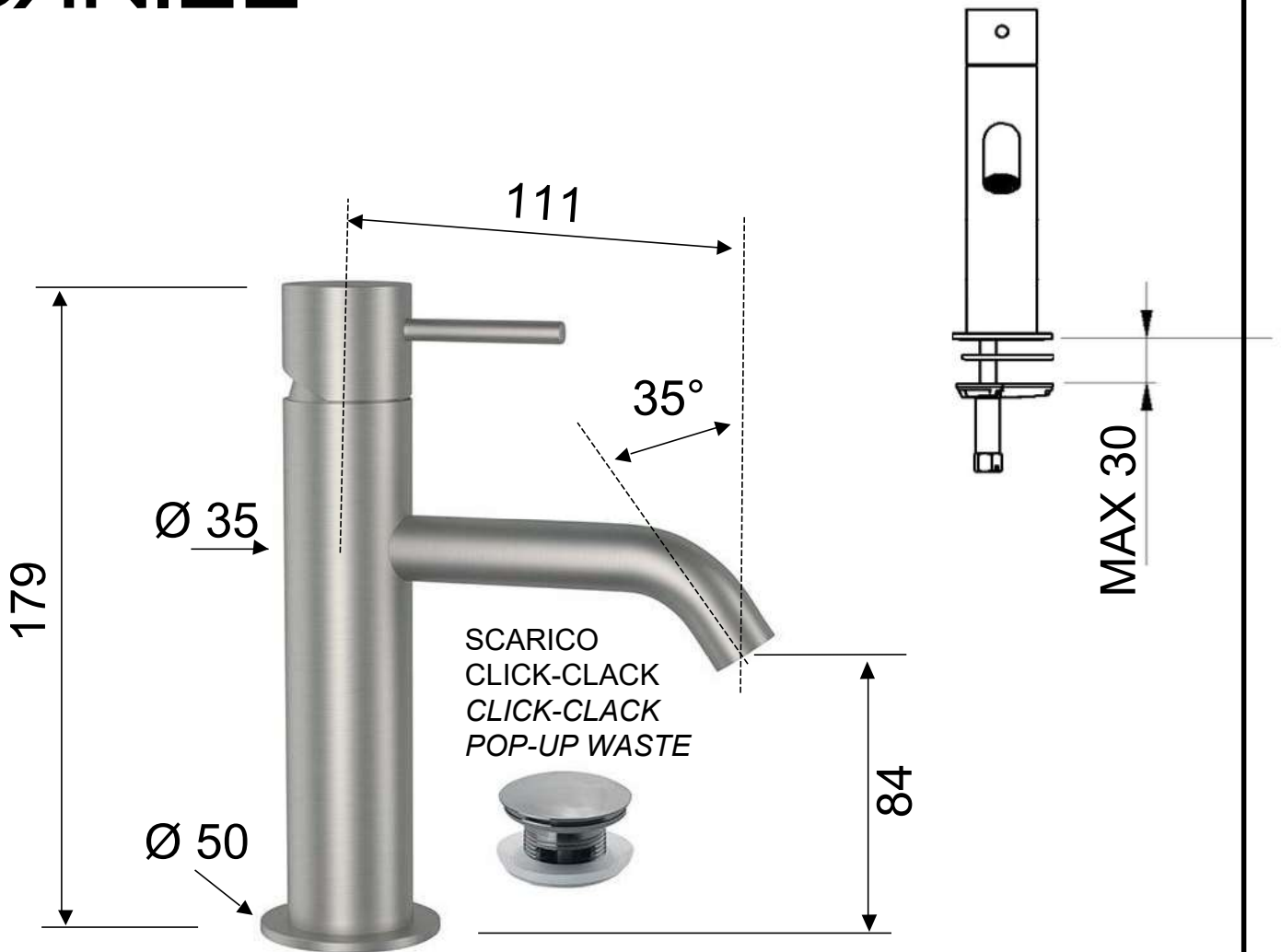


DANIEL

SCHEDA TECNICA TECHNICAL FEATURES

ART. COD.

SSTX605CC



MATERIALI / MATERIALS

ACCIAIO INOX / STAINLESS STEEL