

## JULIA

JUXT02

Julia Exposed Tub Filler with Handshower and Metal Lever Diverter



SHOWN IN NICKEL

### TECHNICAL DETAILS

ADA Compliance: Yes  
 Adjustable versus Fixed Spray: Fixed Spray  
 Diameter of Head: 2.8"  
 Flow Restriction Options: 2.0, 1.75, 1.5, 0.92  
 Handle Spread Maximum: 5 7/8"  
 Handle Spread Minimum: 5 7/8"  
 Handle Turn Angle: Quarter Turn  
 Handshower / Spray Hose Length: 60"  
 Index Color / Finish and Material: White Porcelain  
 Depth / Width: 6 1/2"  
 Height: 12 1/2"  
 Index Marking: Hot/Cold  
 Inlet Connection Size: 3/4"  
 Inlet Connection Type: Union Nut  
 Inlet Supply Spread Maximum: 5 7/8"  
 Inlet Supply Spread Minimum: 5 7/8"  
 Integrated Diverter: Y  
 Length: 10 1/2"  
 Number of Handles: Three  
 Pivot: N  
 Primary Material: Brass  
 Restricted Maximum Flow Rate: 2.5 gpm  
 Spout Reach: 4 1/2"  
 Spout Swivel: N  
 Suggested Application: Bath  
 Valve Material: Ceramic  
 Water Pressure Maximum: 85.0 psi  
 Water Pressure Minimum: 20.0 psi  
 Water Pressure Recommended: 45.0 psi

### INSPIRATION

An interpretation of 1920s French country, Julia speaks to decoration and intricate design displayed through beautifully composed turnings. These details embody the robust, signature high profile spout enabling Julia to transition fluidly from informal to formal environments.

### CODES & STANDARDS

Code # JUTU01: ASME A112.18.1 / CSA B125.1, State of MA

### PRODUCT FEATURES

Cross handles feature hot and cold markings on white porcelain indices. A handshower adds a degree of comfort, making it easy to rinse the bath.

This item is stocked in a Chrome, Nickel or Matte Nickel finishes and additional made-to-order finish options are available in 12 weeks from purchase.

Available with metal, wood or porcelain handle materials with MTO materials including porcelain and semiprecious stones.

Standard flow rate is 2.5gpm for handshower only. Also available in high efficient flow options. Contact your sales associate or call 1 (800) 899-6757 for details.

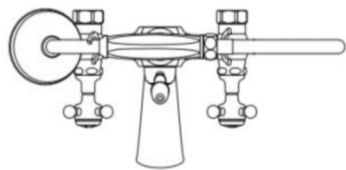
### PRODUCT (NOTES)

Requires wall unions (JUUN06), deck unions (JUUN07), or floor unions (UNUN32)

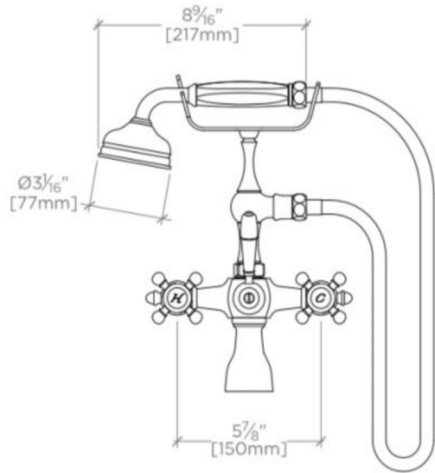
JULIA

JUXT02

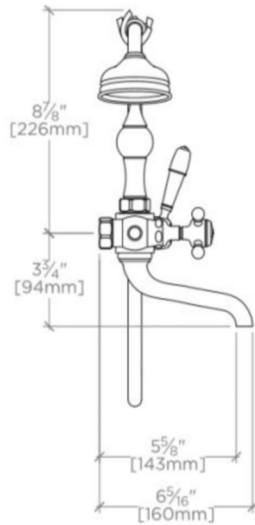
Julia Exposed Tub Filler with Handshower and Metal Lever Diverter



TOP VIEW SCALE: 1 1/2"=1'-0"



FRONT VIEW SCALE: 1 1/2"=1'-0"



SIDE VIEW SCALE: 1 1/2"=1'-0"