



Rhythm® Oval

Drop-in Bathroom Sink

K-2603-SU

Features

- Oval basin with Satin finish.
- No faucet holes.
- Stainless steel construction.

Material

- Premium 20-gauge stainless steel.

Installation

- No faucet holes; requires wall-or counter-mount faucet.
- Drop-in.

Recommended Products/Accessories

- K-7114 Pop-Up Drain
- K-7127 Drain
- K-7129 Drain
- K-8998 P-Trap
- K-23726 Drain treatment
- K-23729 Stainless steel cleaner

Included Components

Additional Components:

- 1193643 Basin clamps
- drain gasket
- tube



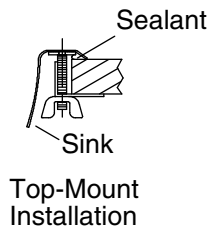
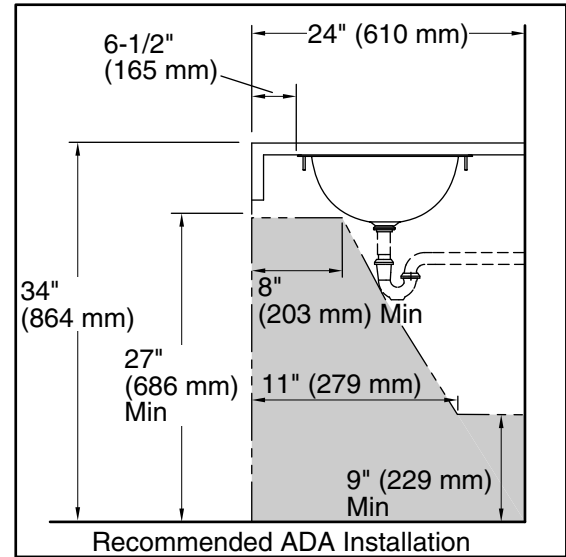
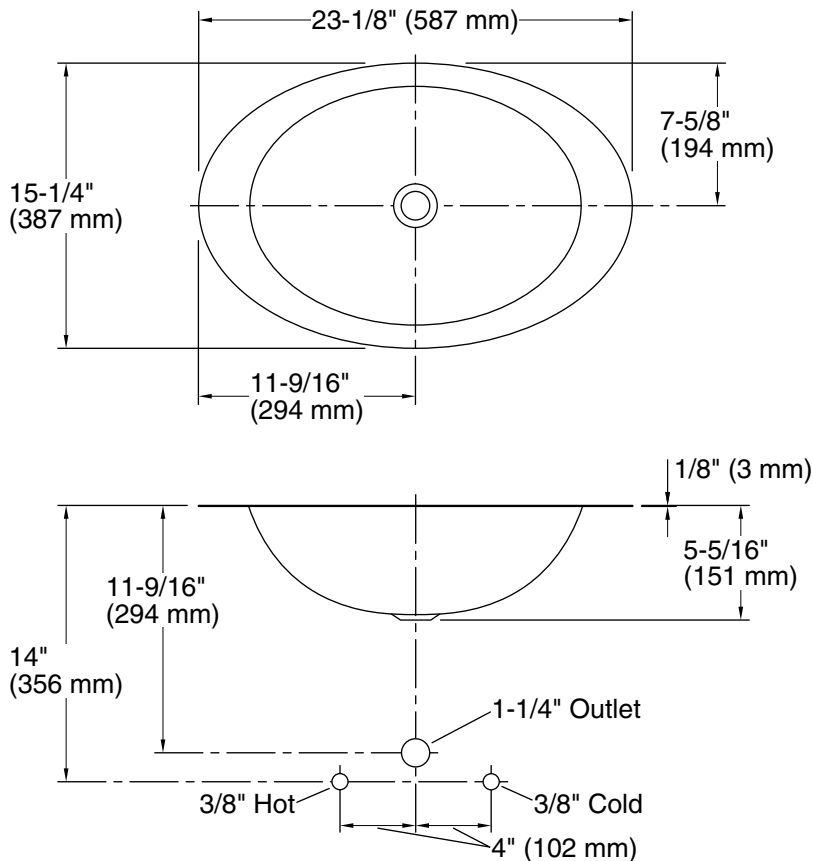
ADA

Codes/Standards

ASME A112.19.3/CSA B45.4
ADA
ICC/ANSI A117.1

KOHLER® One-Year Limited Warranty

See website for detailed warranty information.



Technical Information

All product dimensions are nominal.

Bowl configuration:	Single
Installation:	Under-mount
Bowl area (Only):	Length: 18" (457 mm) Width: 13" (330 mm) Water depth: 5-7/8" (149 mm)
Drain hole:	5/8" (16 mm)
Template:	1006417-7, required, included

Notes

Install this product according to the installation instructions.

Minimum faucet spout reach of 5" (127 mm) is required. Review bathroom sink and faucet rough-in dimensions carefully to ensure the spout will reach over the rim into the basin.

Supplied basin clamp assembly requires 3/4" (19 mm) minimum countertop thickness. Installer must supply anchors for thinner countertops.

NOTICE: Countertop manufacturer or cutter must use the cut-out template provided by Kohler Co. (call 1-800-4-KOHLER). Kohler Co. is not responsible for cut out errors when the incorrect cut-out template is used.

ADA compliant when installed to the specific requirements of these regulations.