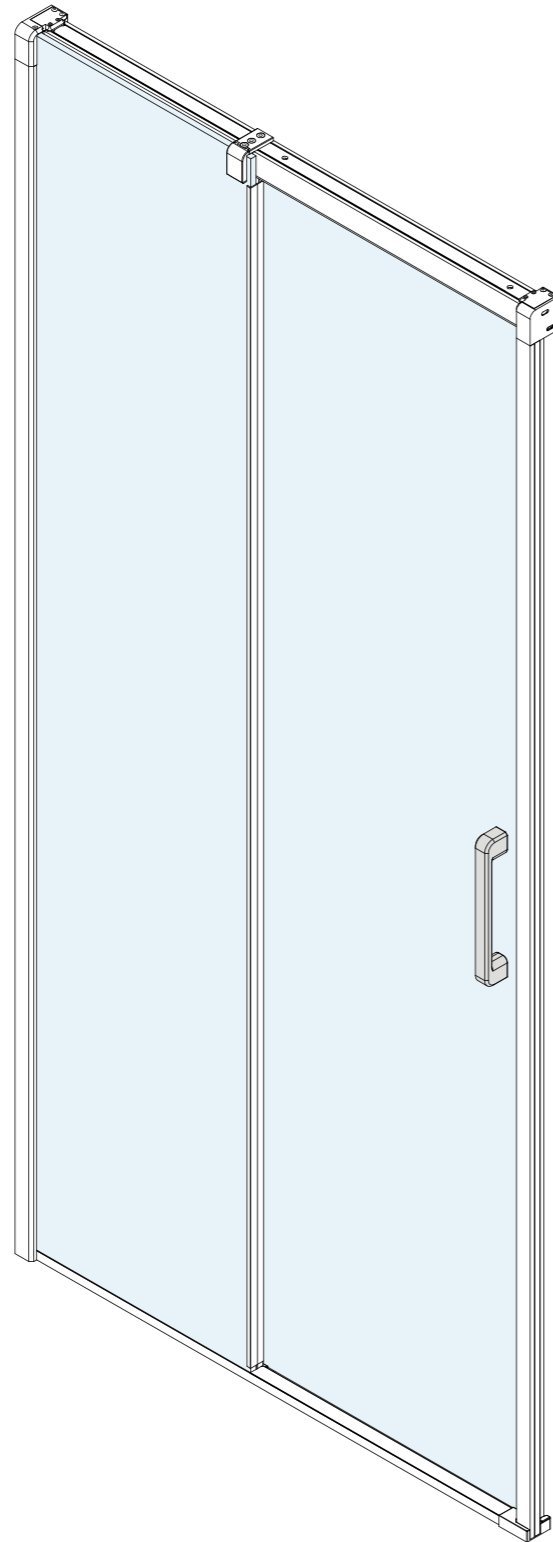


2 PANEL SLIDING DOOR



INSTALLATION GUIDE

1.

IMPORTANT: Please read the complete instructions before commencing fitting.

Make sure the tray is 100% level in all directions.

Check that you have the tools required.

Check the installation site is compatible with the sizes of door supplied.

Check all the enclosure components are present.

Check the installation kit is complete.

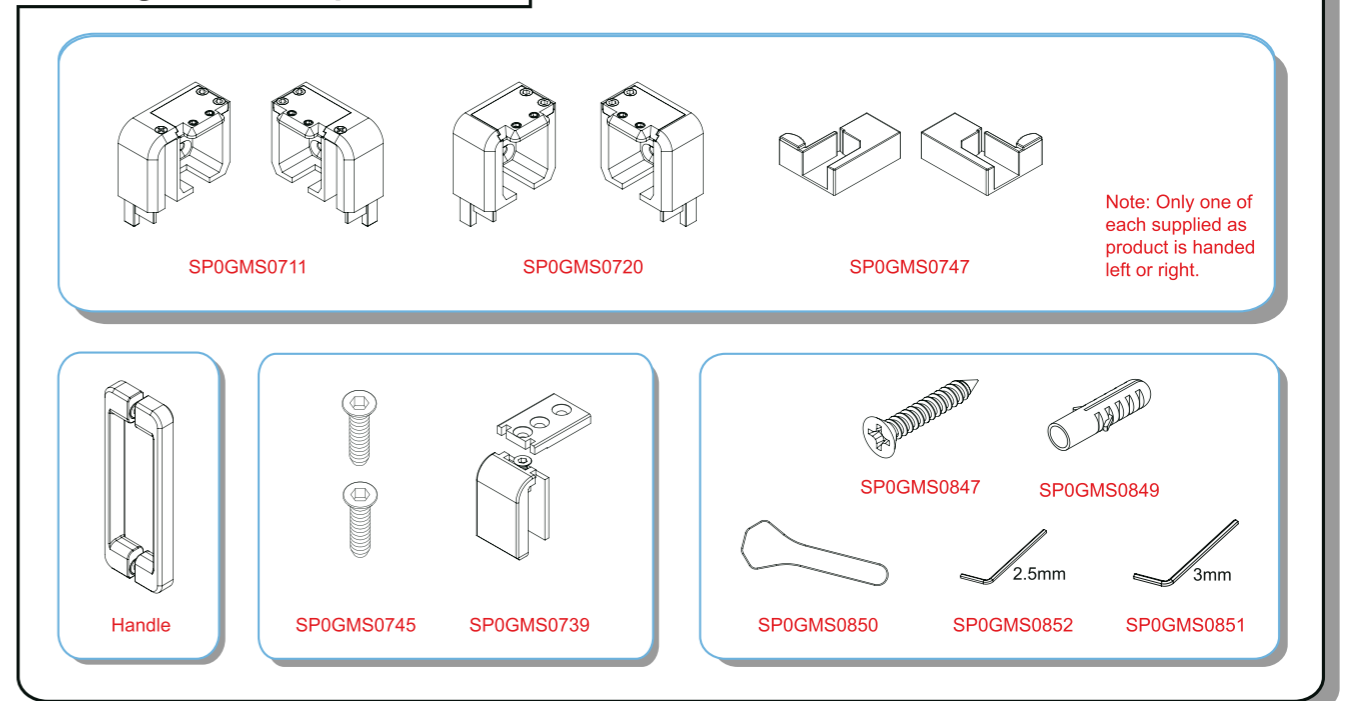
Do Not attempt to install the product unless you can tick all 4 boxes.

The wall plugs supplied with the installation kit are for use in solid walls. Hollow or 'stud partition' walls will require alternative fixings. Please consult a hardware supplier for the correct type.

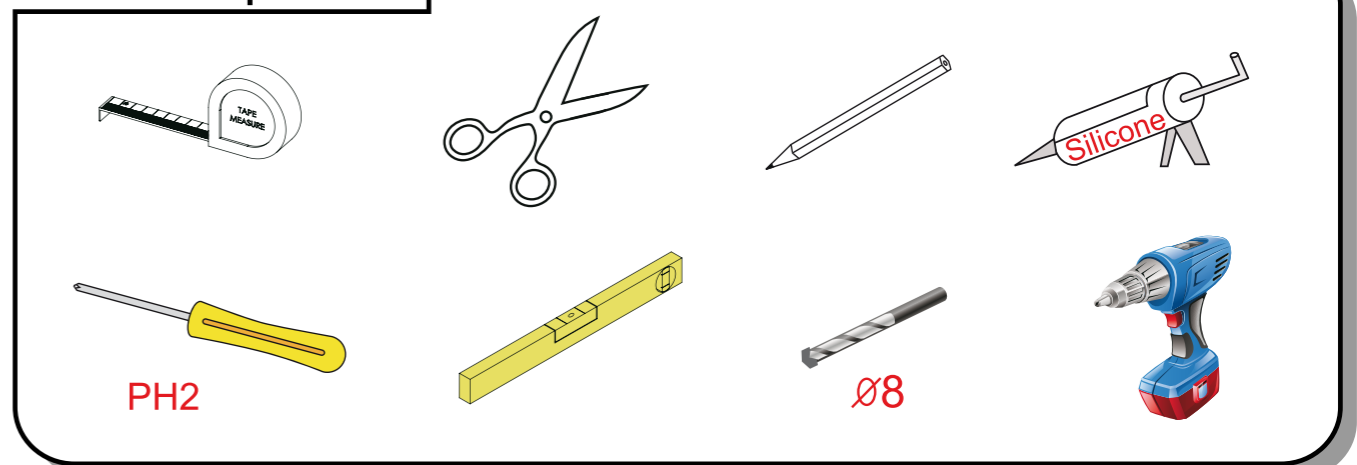
It may also be necessary to consult your tiling supplier about the correct method for drilling your tiles.

ATTENTION: TAKE EXTREME CARE WHEN HANDLING GLASS, WEAR PROTECTIVE EYEWEAR AND CLOTHING. DO NOT LEAVE THE GLASS ON HARD SURFACES AND AVOID CONTACT BETWEEN THE GLASS EDGES AND HARD SURFACES OR IMPACTS DURING THE INSTALLATION.

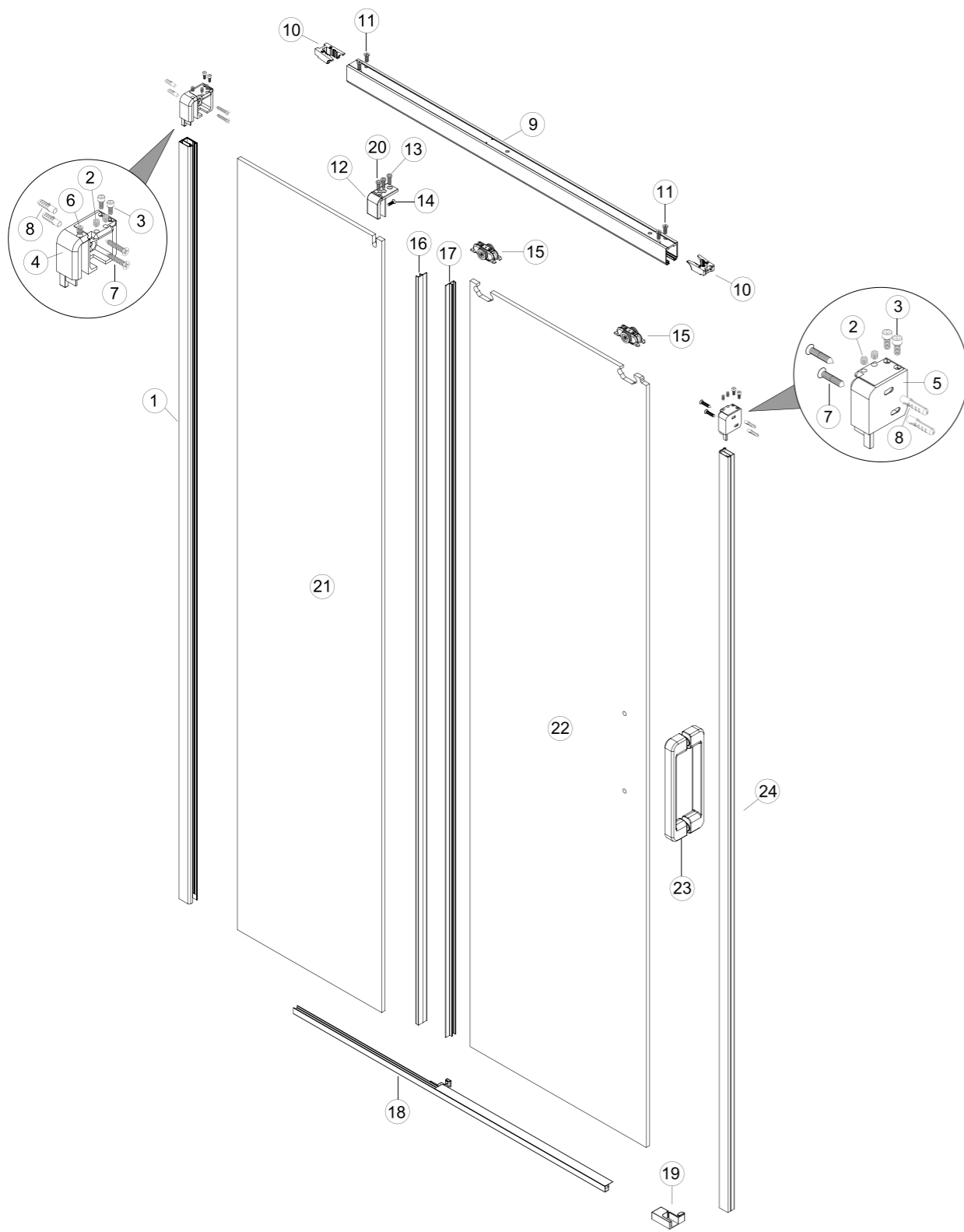
Fixing kit components



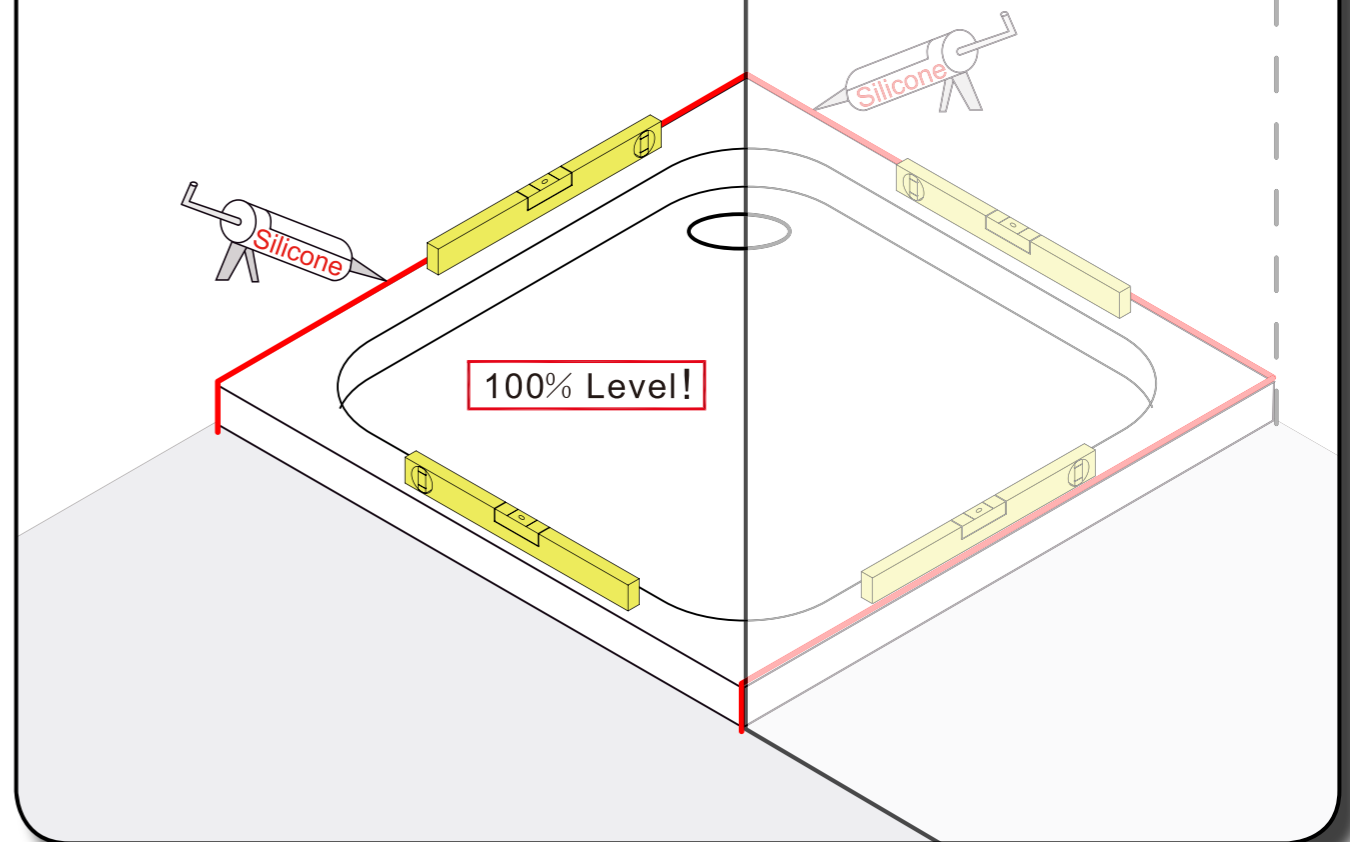
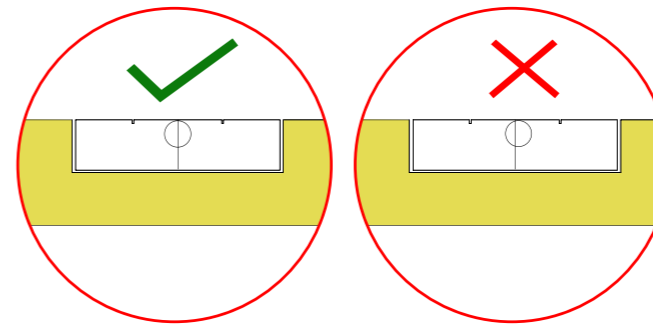
Tools required



2.



No.	QTY	descriptions	Code	No.	QTY	Descriptions	Code	No.	QTY	Descriptions	Code
1	1	Wall profile	SP0GMS0680	10	2	Roller stop	B	19	1	Closing post footplate	SP0GMS0747
2	4	M6x6 grub screw	SP0GMS0718	11	4	Roller stop screws	SP0GMS0709	20	1	M5x14 screw	SP0GMS0738
3	4	Bracket fixing screws M4x10	SP0GMS0719	12	1	Middle bracket	SP0GMS0739	21	1	Fixed panel	D
4	1	Fixed panel wall bracket	SP0GMS0711	13	2	M5x10 screw	SP0GMS0745	22	1	Moving panel	E
5	1	Closing post wall bracket	SP0GMS0720	14	1	M5x12 screw	SP0GMS0846	23	1	Handle	F
6	1	Plastic grub screw	SP0GMS0717	15	2	Roller	SP0GMS0710	24	1	Closing post profile	SP0GMS0694
7	4	5x40 screw	SP0GMS0847	16	1	fixed panel upright seal	SP0GMS0698				
8	4	Wall plug	SP0GMS0849	17	1	Moving panel upright seal	SP0GMS0699				
9	1	Top rail	A	18	1	Threshold	C				



Whether fitting on a tray or on a tiled Wetroom the tray or floor must be 100% level.

1

1A Wall profiles are labeled Left and Right so make sure you have noted the handing. The closing post is fitted later so only fit the wall profile at this point. The seal should be flush on top and show a gap on the bottom.

1B Insert the bracket into the wall profile.

1C WARNING Make sure the bracket is seated correctly and there is no gap between the join of the bracket and profile.

3

3A Mark the centre of the slot.

3B Drill the centre of the slot. This is important to allow adjustment.

3C Insert the wall plugs.

2

2A Measure the width of the recess top middle and bottom and check Min. and Max. measurement is within the adjustment of the size chosen.

2B Determine the step in from the front edge of the tray, recommended Min. step in is 10mm.

2C Plumb the wall profiles.

2D Make sure the bracket is seated correctly showing no gap between the join of the wall profile. Make sure the top bracket is level. Mark the wall through the slots in the wall bracket.

Size	Adjustment 'X'
1000	960-990
1025	985-1015
1050	1010-1040
1075	1035-1065
1100	1060-1090
1125	1085-1115
1150	1110-1140
1175	1135-1165
1200	1160-1190
1400	1360-1390

NOTE! If fitting optional LED profile the fitting procedure is different and you must follow the steps in the LED installation Guide.

4

4A Fit the assembled profile and bracket to the fixed panel. Ensure the wall profile is seated fully at the base.

4B Fit the fixed panel into the threshold. Make sure the edge of the glass is tight against the end of the cover strip. Make sure the guide is facing inside.

5

5A Check assembly is plumb and fix to the wall through the bottom slot first making sure there is no gap between the join of the profile and the bracket (**5B**) and then secure with second screw.

5B

7

7A

7B Fit bracket to the closing post. Plumb the closing post and mark the holes. Drill the centre of the slot and fit wall plugs.

7C

7B Fix the bracket to the wall through the bottom slot first checking there is no gap between the profile and the bracket **7C**.

6

6A Fit the foot plate and then the assembled closing post to the threshold.

6B Make sure the threshold is parallel to the edge of the tray.

Foot plate

Closing post

Foot plate

6A

6B

8

Fix the middle bracket making sure the bolt is on the inside.

14 M5x12

Inside

9

9A Using micro fibre cloth provided thoroughly clean the inside of the glass around the area of the top rail.

9B The top rail also needs to be thoroughly cleaned before lifting into position.

11

11A Slide the 'Moving panel' end of the top rail onto the moving panel.
Note : make sure the holes in the glass for the handle are on the 'Moving panel' side.

11B Fit the roller stop.

11C Slide the top track to the centre of the glass and secure the rail with the cable ties. This will prevent the rail moving when lifting into place.

10

10A Note the labels on the ends of the rail. Fit plate to the top of the rail with notched side facing out.

10B Remove the roller stop from the Moving panel side.

NOTE: Check green and red labels for correct orientation

12

Max. adjustment on each side is 15mm. On fixed panel side make sure to adjust the fixed panel in the wall profile at the same time as the top rail.

12A Lift the moving panel and top rail into the brackets **12B** & **12C**. Make sure both parts of the middle bracket **12D** are aligned to allow the rail to drop into position. Keep the bottom of the moving panel out from the guide.

12E Remove the cable ties.

12F When door is fitted move door to the closed position and slide guide over the back edge of the moving panel.

NOTE: Take care not to rest the glass on the top of the guide.

Adjustment 0-15mm

13

⚠ 4. Do not over tighten

13A Squeeze the fixed panel and rail together to align the bracket and plate and fix with M5 x 14 screw.

13B 1) Slide the fixing plates into the wall brackets.
2) Secure to the bracket with M4 x 10 screws.
3) Lock the rail to the bracket by tightening the grub screws.
4) Loosely fix the plastic grub screw so it is flush with the top of the bracket.

13C

15

15A

15B Inside
Guide
Cover strip

As the fixed glass panel is adjusted in the wall profile gaps will appear between the profile and the wall, especially near the bottom.

15A Use the plastic tool provided to push the profile tight to the wall.

15B Check the fixed panel does not move and remains tight to the threshold cover strip.

14

Aligning moving panel / adjusting rollers

The height and alignment of the door can be adjusted using the hex key provided. The moving panel must be in the closed position to access the adjusting screw through the access ports on the top of the rail. Turn clockwise to lower and anti-clockwise to raise.

The vertical alignment of the moving panel should be adjusted so there is adequate over lap with the fixed panel and the closing post.

Check the glass is touching the the plastic inserts of the guide at all times, lower the panel if necessary.

16

16A INSIDE
BOTTOM
TOP
BOTTOM
Check the orientation of the handle

16B

16C Moving panel
Fixed panel

16D Inside

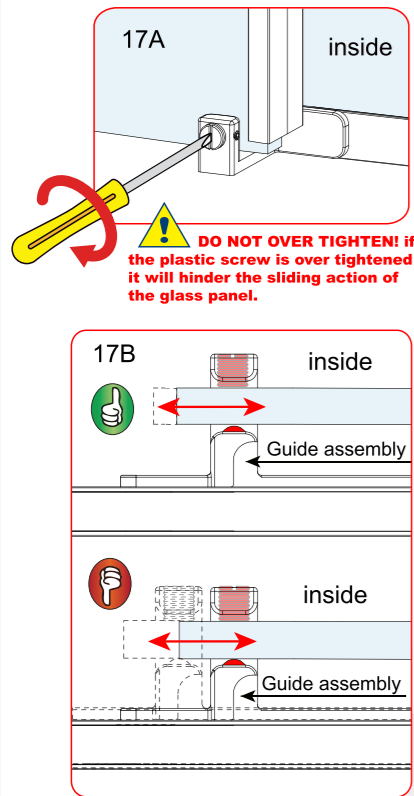
16A Note the top and bottom of the handle, disassemble and fit outer handle making sure to place washers on both side of the glass.

16B When fitting the inner handle make sure the grub screws are to the bottom.

16C Fit upright seals to the edge of the fixed panel and back edge of the moving panel.

16D Fixed panel seal should be tight to the threshold, moving panel seal needs to be above the bottom guide and not touching the top rail.

17



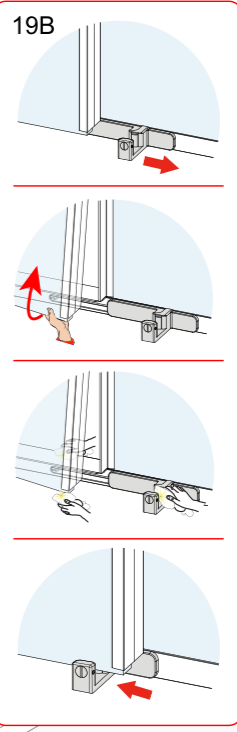
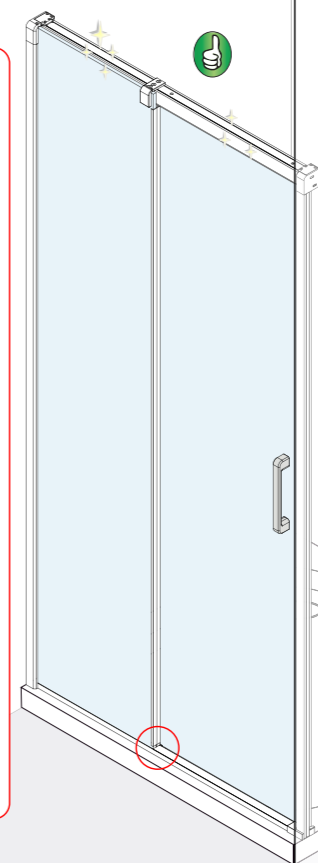
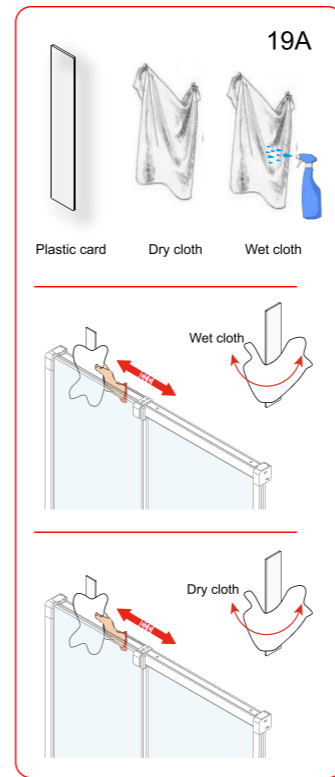
17A Adjust the plastic screw to gently rest against the glass panel.
NOTE: This is to prevent rattling of the glass panel within the guide.

17B Open and close the moving glass panel to check that the door is sliding freely within the guide is minimised.
NOTE: Ensure the entire guide assembly does not move with the sliding door as this is an indication that the plastic screw has been over tightened.

17C When satisfied with the plastic screw location, please ensure that the small grub screw is tightened to prevent any movement. This will keep the plastic screw in a fixed position.

19

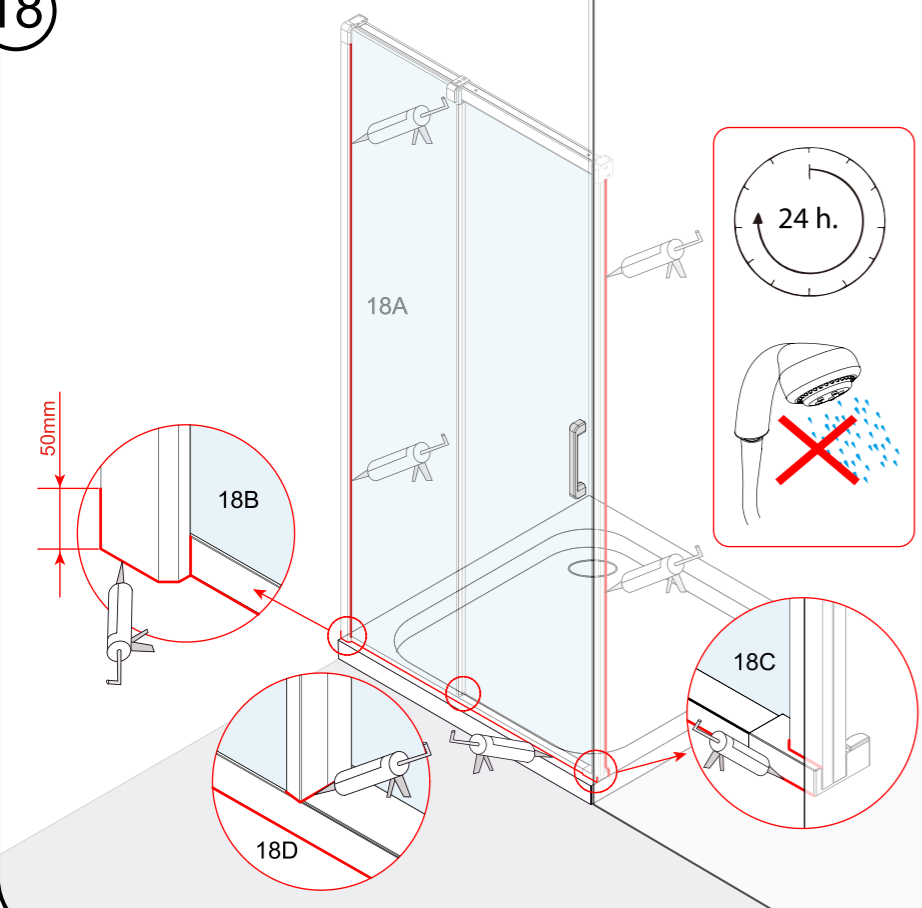
Care And Maintenance Guide



19A For cleaning the area between the top rail and the fixed glass panel use the micro fibre cloths and card provided. Using a mild detergent dampen one of the cloths and wrap it around the plastic card provided and push between the rail and the glass. Slide the cloth over and back until clean and repeat the process with the dry cloth to shine rail and glass.

19B The moving panel can be released from the bottom guide for ease of cleaning. From inside the enclosure slide the bottom guide away from the moving panel and pull the bottom of the panel towards you. Clean the area around the base of the shower, **Note:** make sure to put the moving panel back into the bottom guide when finished.

18



Before sealing make sure all surfaces are clean, dry and free from any residue such as grout.

Use quality silicone sealant and applicator gun to finish the door.

INSIDE
18A On the inside seal top to bottom between the wall profile and the wall.

OUTSIDE
18B Seal along the bottom between the threshold and the tray. Seal 50mm vertically between the wall and the wall profile, and between the threshold and the wall profile.

18C Seal the all joints between the foot plates and threshold and the foot plate and wall.

18D Seal between the bottom of the fixed panel seal and the cover strip.

Do not use the enclosure for 24 hours.

www.merlynshowering.com

MERLYN

Merlyn Showering
Unit 8, Purcellsinch Industrial Park,
Dublin Road, Kilkenny, Ireland.

Tel: 00353 56 779 1555

Fax: 00353 56 779 1576

www.merlynshowering.com

To download the Declaration of Performance (DOP) for this product please use the link below.

<https://merlynshowering.com/aftersales-support/dop-certs/>