

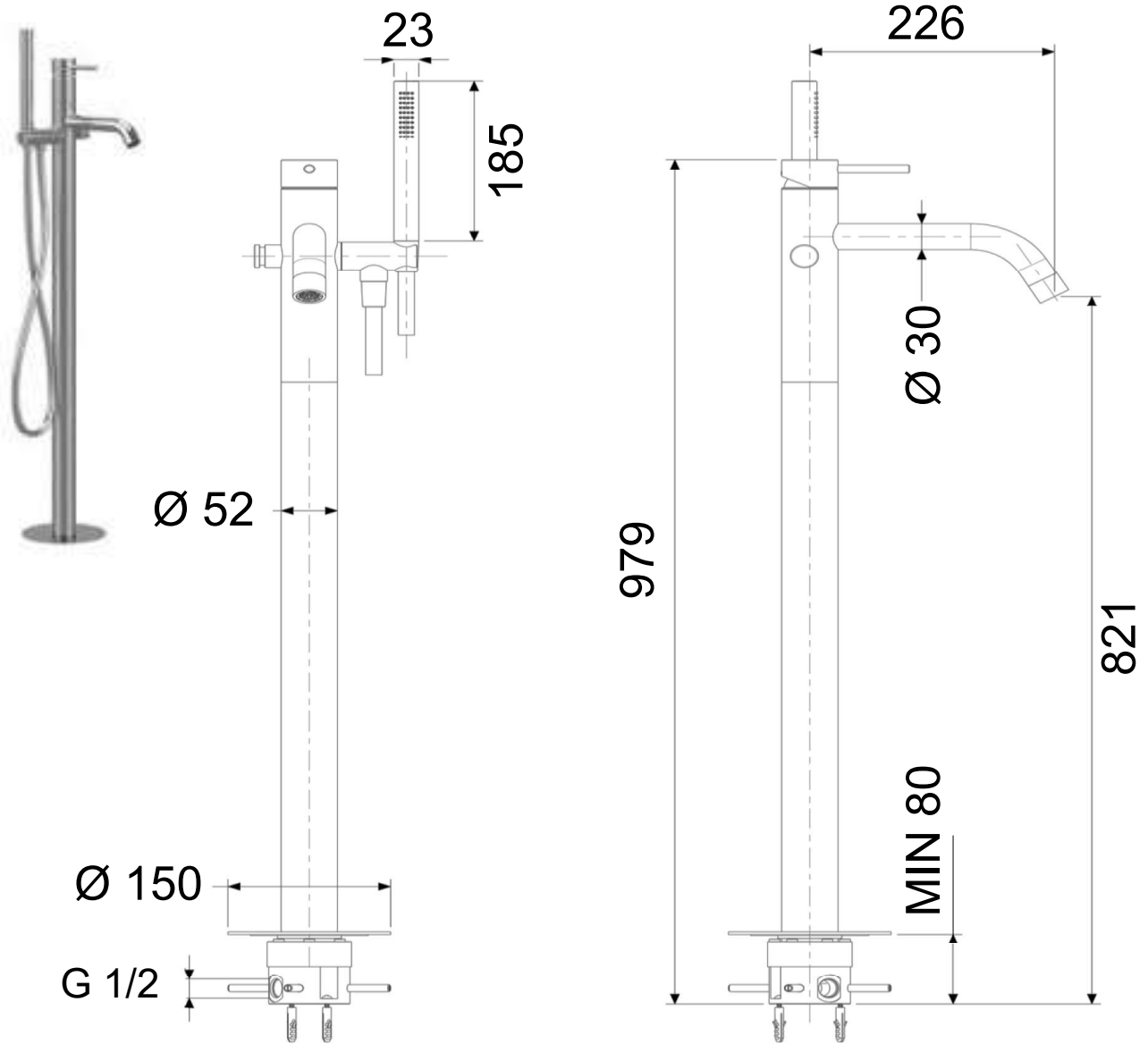


SCHEDA TECNICA TECHNICAL FEATURES

DANIEL

ART. COD.

SSTX678



MATERIALI / MATERIALS

ACCIAIO INOX AISI 304 / STAINLESS STEEL AISI 304