

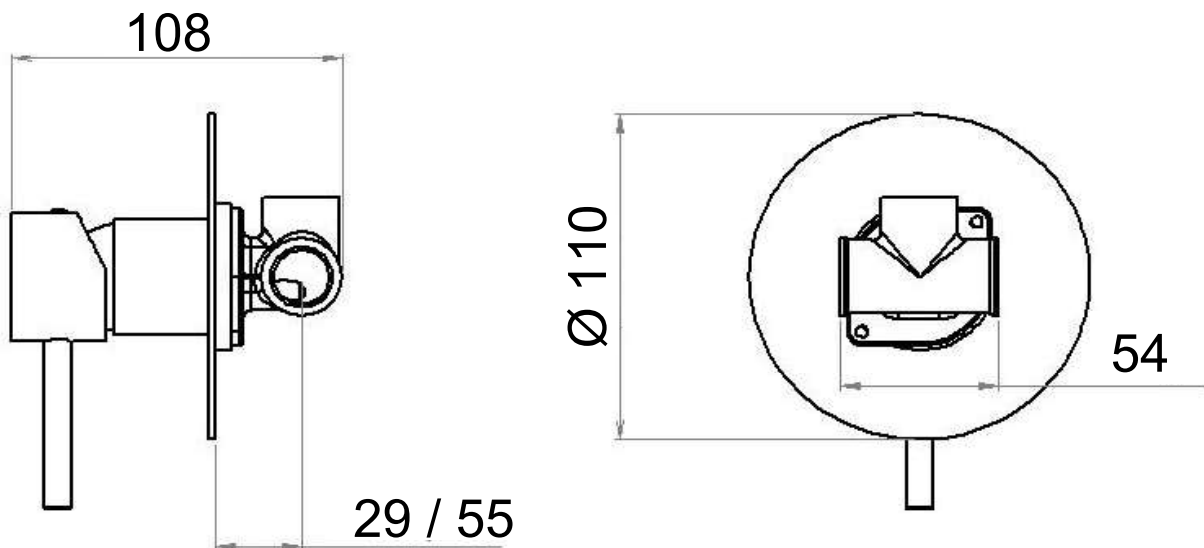
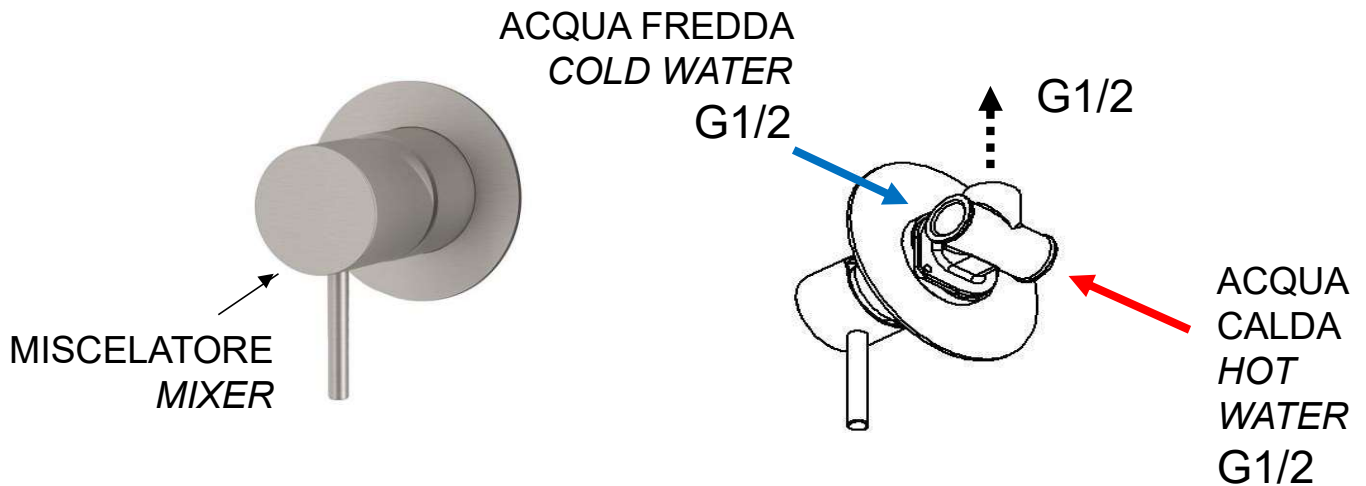


**DANIEL**

SCHEDA TECNICA TECHNICAL FEATURES

ART. COD.

**SSTX602**



**MATERIALI / MATERIALS**

ACCIAIO INOX / STAINLESS STEEL  
OTTONE / BRASS