

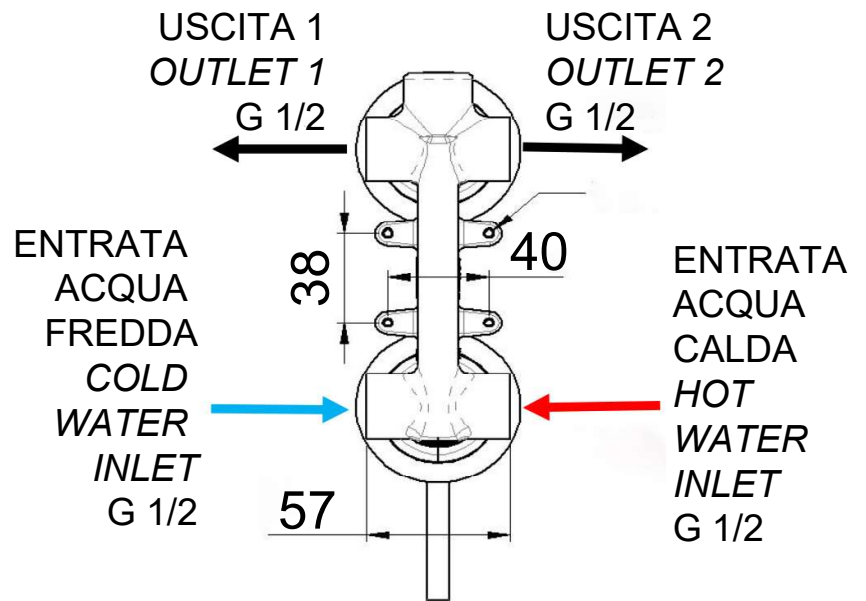
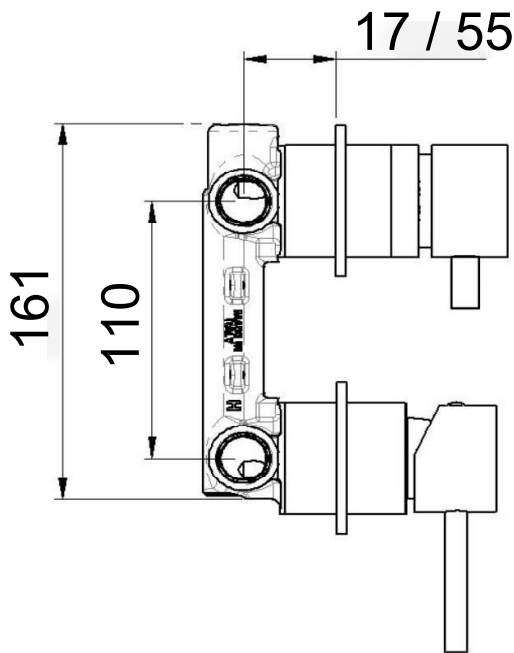
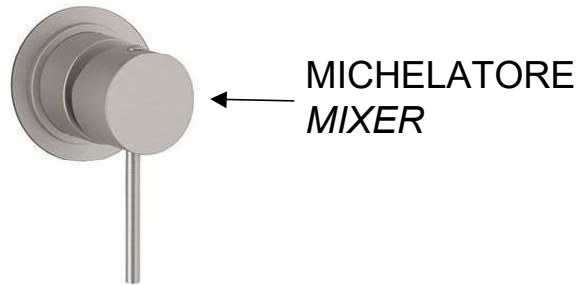
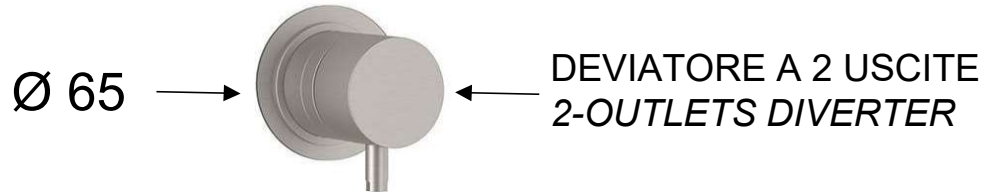


DANIEL

SCHEDA TECNICA TECHNICAL FEATURES

ART. COD.

SSTX612D2P



MATERIALI / MATERIALS

ACCIAIO INOX / STAINLESS STEEL AISI 304