

CALC10051TOM lavabi/washbasin

codice
code



Lavabo Cut 80 monoforo sospeso.
Cut wall hung washbasin 80 1 tap hole.

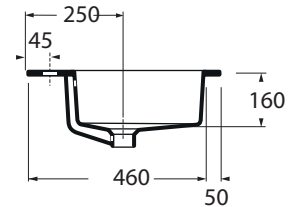
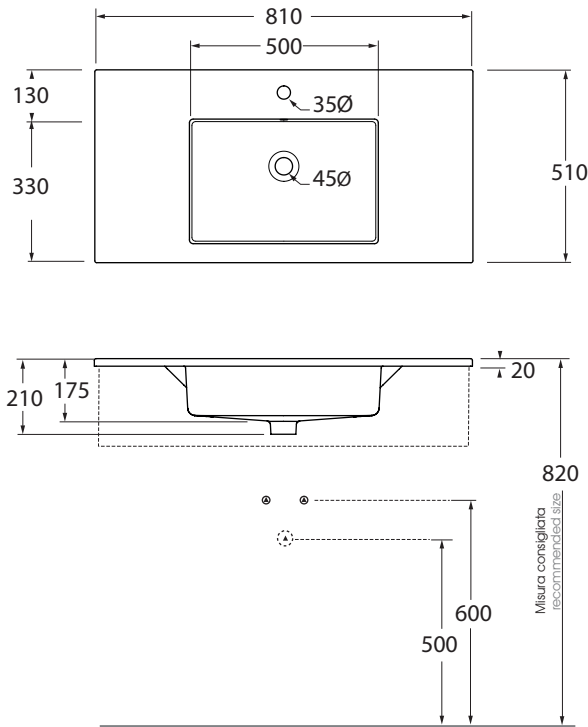
biancolucido/shiny white

CALC10051TOMBI

CM 80x51xH21

plt italy pz.00 - plt export pcs.00

kg 00



scala/scale 1:20 dimensioni/dimensions in mm

Complementi/complements:

Codice
code

Codice
code



Piletta automatica con troppo pieno
Automatic waste system with over flow
kg 0,5

PILTR



Piletta con tappo in ceramica
disponibile in tutti i colors 1250°
Ceramic drain available in
in all colors 1250°
Specificare il colore al momento dell'ordine
Maggiorazione più 50%
Specify the color when ordering
Price has to be 50% increased.
kg 0,5

PILCE/CO



Coppia staffe portaciugamani strutturale e portante per una tenuta max di 150 kg.
Structural and load-bearing fixing bracket for maximum hold 150 kg.

bianco opaco/ matt white MIS STB

cromo/ chromed MIS STC

Obbligatorie
Obligatory



Struttura portante per una tenuta max di 150 kg. Structural and load-bearing for maximum hold 150 kg.

AAAAAAAAAAAAAAAAAAAAAAAAAAAA
AAAAAAAAAAAAAAAAAAAAAAAAAAAA
AAAAAAAAAAAAAAAAAAAAAAAAAAAA

STS 80

kg 0,00

TECHNICAL SHEET n°: 01	DESIGNER: OFFICINA AZZURRA	CODE: CALC10051TOM	Azzurra sanitari in ceramica S.p.a. via Civita Castellana snc 01030 Castel S.Elia (VT) - ITALY Tel.+39.0761 518155 Fax.+39.0761 514560	
SHEET FORMAT: A4	ISO	REVISION: 01	SCALE: 1:20	DATE: 25/07/2019
REGULATIONS: CE EN 14688 / EN31 / Dop-14688 *				
All the measurements respect the tolerances provided by the "AZZURRA QUALITY GUIDELINES".				



* Regulations here shown are exclusively referred to ceramic items