



DANIEL

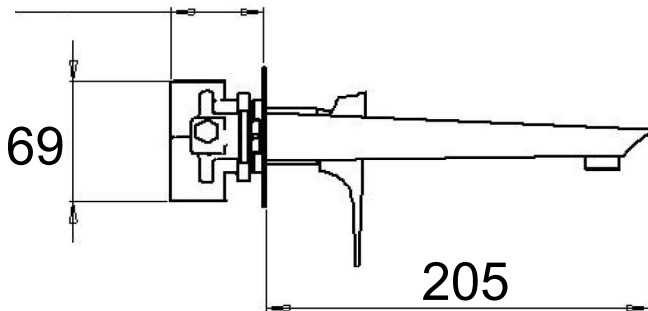
SCHEDA TECNICA TECHNICAL FEATURES

ART. COD.

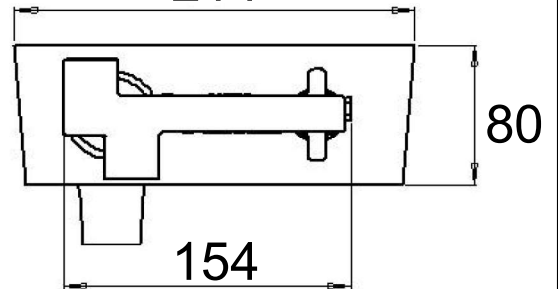
DV632



50 / 70

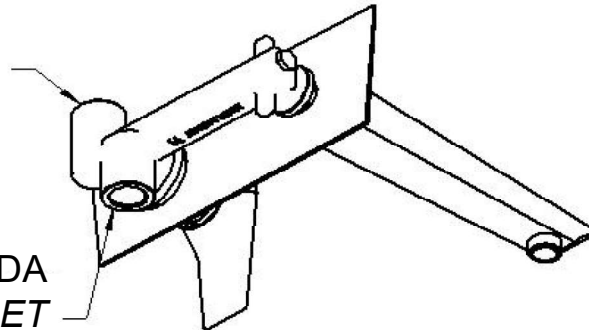


214



ENTRATA ACQUA FREDDA
COLD WATER INLET
G1/2

ENTRATA ACQUA CALDA
HOT WATER INLET
G1/2



MATERIALI / MATERIALS

OTTONE CROMATO / CHROME PLATED BRASS

CROMATURA / CHROME PLATING

UNI EN 248