

VAIA Wall-mounted single-lever basin mixer without pop-up waste - Brushed Bronze

VAIA

36 867 809



- 125mm projection
- fixed spout
- circular, air-enriched flow
- hole diameter spout 35 mm
- hole diameter single-lever mixer 57 mm
- rosette for single-lever mixer Ø 78mm
- rosette for spout Ø 60mm
- max. flow 5.7 l/min
- lead-free
- This product can help a building meet the requirements of Green Building Rating Systems, e.g. LEED®, BREEAM®, DGNB
- WRAS 2107018

	Brushed Bronze	36 867 809-42
	Chrome	36 867 809-00
	Brushed Platinum	36 867 809-06
	Platinum	36 867 809-08
	Dark Chrome	36 867 809-19
	Brushed Durabronze (23kt Gold)	36 867 809-28
	Brushed Champagne (22kt Gold)	36 867 809-46
	Champagne (22kt Gold)	36 867 809-47
	Brushed Dark Platinum	36 867 809-99

Required miscellaneous



Concealed wall-mounted single-lever mixer on right -

35 816 970 90

- NOTE: Not suitable for concealed installation. Connection by means of angle valves, mounted with screws to back wall.

Required miscellaneous



Concealed wall-mounted single-lever mixer -

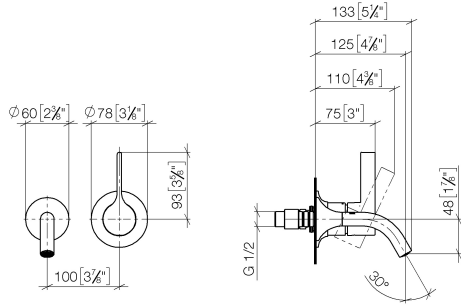
35 860 970 90

- min. recess depth 75 mm
- max. recess depth 95 mm

VAIA Wall-mounted single-lever basin mixer without pop-up waste - Brushed Bronze

VAIA

36 867 809
mm [inches]



Flow rate chart



Codes & Standards

DIN 4109

ISO 3822

Scottish Water
Byelaws

UK Water Supply
Regulations

Ü-Zeichen



VAIA Wall-mounted single-lever basin mixer without pop-up waste - Brushed
Bronze

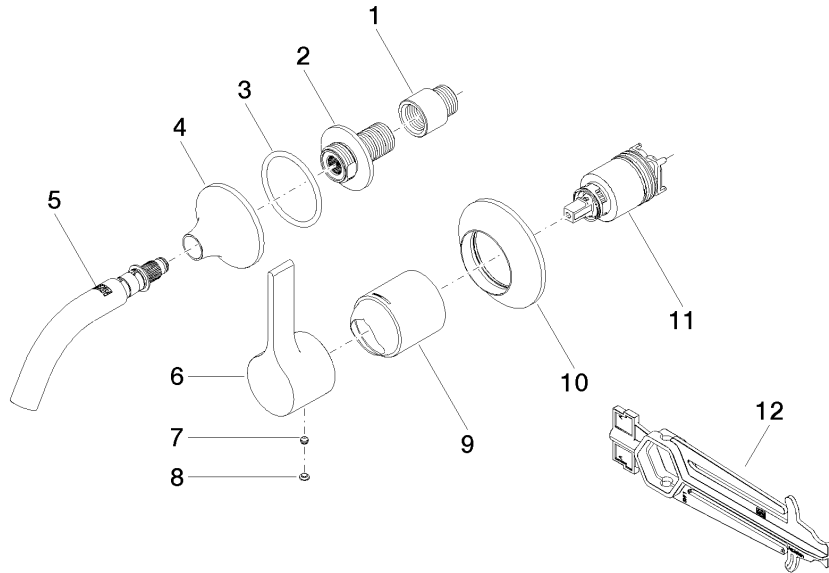
VAIA

36 867 809
Certificates

WRAS_2107

LGA_38

36 867 809





VAIA Wall-mounted single-lever basin mixer without pop-up waste - Brushed Bronze

VAIA

36 867 809

Spare parts list

No.	Item Number	Name	Quantity used	Delivery time
	09 24 03 072 10 90	nipple	12	2