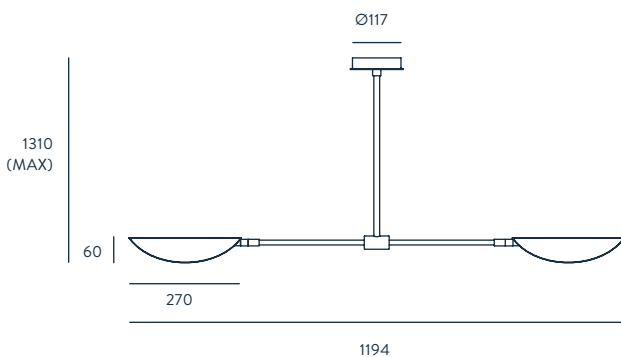


FICUS

DESIGNED BY PEPE FORNAS / 2018

C1243



ACABADOS

METAL	TULIPA
NEGRO	ORO MATE
ORO MATE	ORO MATE

MATERIALES

ACERO

ESPECIFICACIONES (UE)

G9 2 X 3W 2700K 270LM
INCLUIDAS 220-240 V, 50/60 HZ,
IP20, CLASE I



CLASIFICACIÓN ENERGÉTICA

A ++

FINISHES

METAL	SHADE
MATT BLACK	MATT BRASS
MATT BRASS	MATT BRASS

MATERIALS

STEEL

SPECIFICATIONS (UE)

G9 2 X 3W 2700K 270LM
INCLUDED 220-240 V, 50/60 HZ,
IP20, CLASSE I



ENERGY LABEL

A ++