

Features

- Adjustable tempered-glass shelves provide additional bathroom storage.
- Vertically adjustable flip-out flat mirror on inside of door.
- Front mirror, inside door mirror, and back panel mirror provide superior visibility.
- 110° door swing with slow-close hinges.
- Compatible with KOHLER Tailored Vanity medicine cabinet surrounds and side kits.

Material

- Anodized aluminum construction with a durable rust- and chip-resistant finish.

Installation

- Can be installed with left- or right-hand swing.
- Includes mounting hardware for surface or recessed installation.
- Mirrored side kits for surface mount installation sold separately.

Required Products/Accessories

K-99012 mirrored side kit for medicine cabinet

Recommended Products/Accessories

K-23723 Faucet cleaner

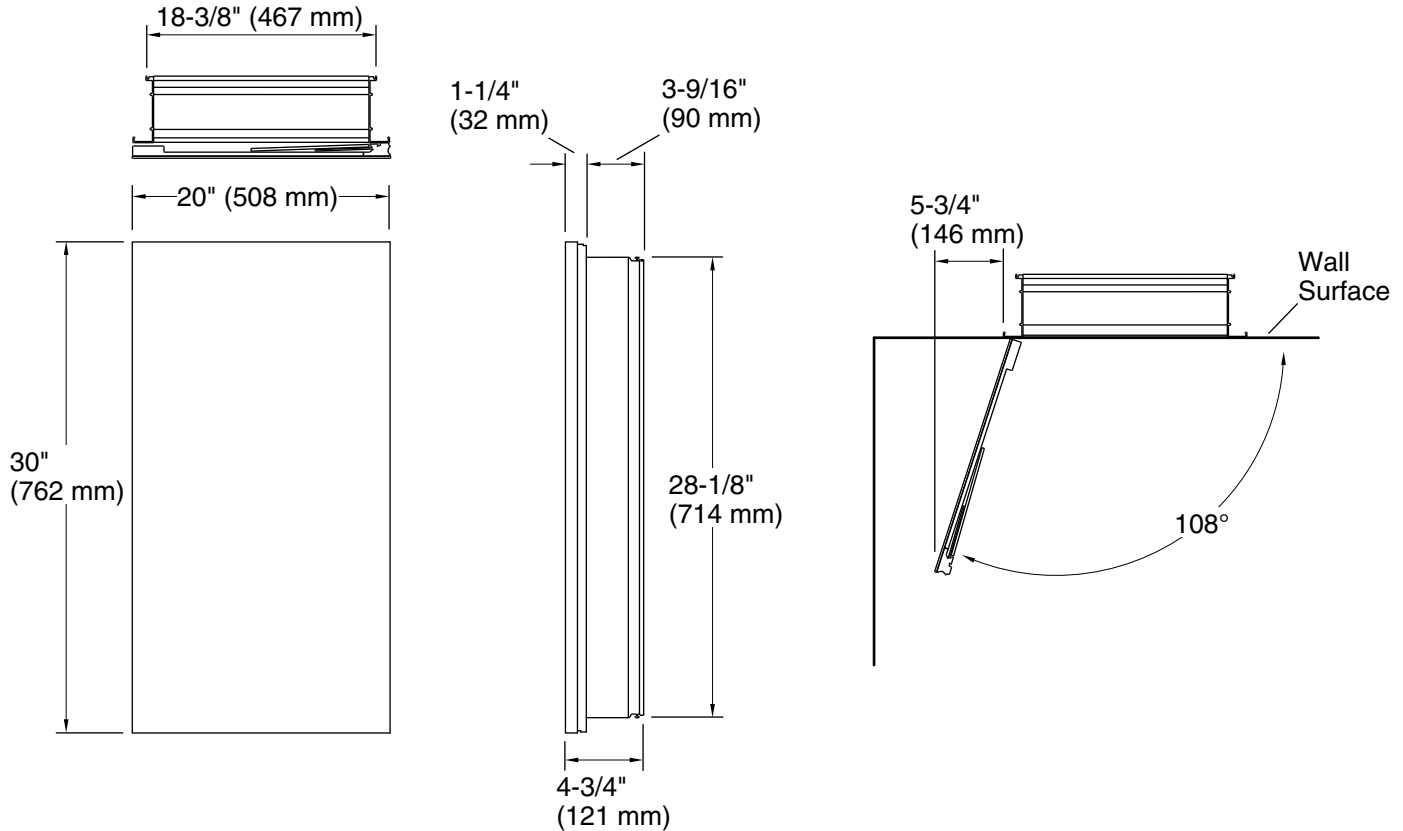


Codes/Standards

None Applicable

KOHLER® One-Year Limited Warranty

See website for detailed warranty information.



Technical Information

All product dimensions are nominal.

Recess-Mount Cutout:

Width:	18-1/2" (470 mm)
Height:	28-1/4" (718 mm)
Depth:	3-11/16" (94 mm)

Notes

Install this product according to the installation guide.

To recess mount, the wall cavity must be framed and the cabinet secured to framing studs. Reroute electrical or water supply lines from the cavity. Consult a professional if drain or vent piping is encountered, or if the wall is load-bearing.

To determine the height of the cabinet, ensure the door will clear all obstacles (such as a faucet). A minimum 3" (76 mm) distance is required.

Cutout for recess-mount installations: 18-1/2" (470 mm) wide x 28-1/4" (718 mm) high x 3-11/16" (94 mm) deep.