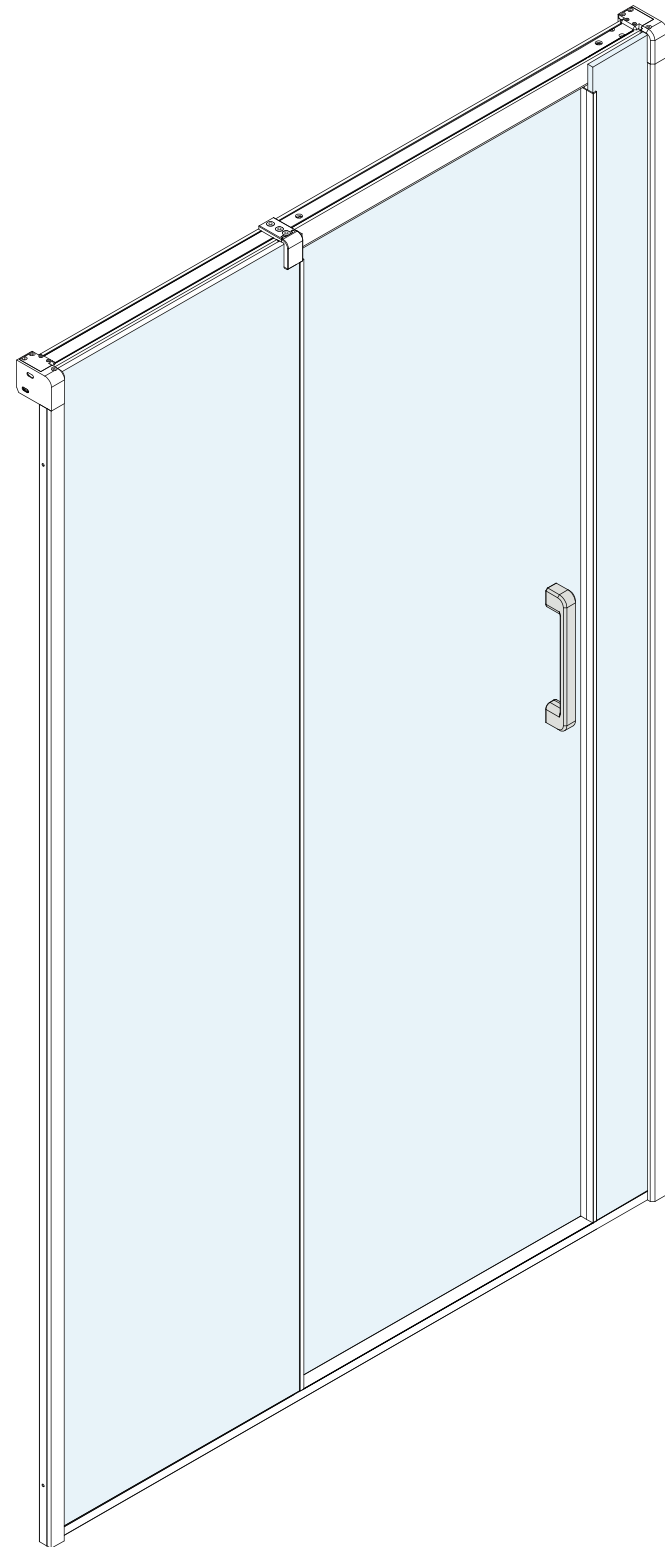


3 PANEL SLIDING DOOR



INSTALLATION GUIDE

IMPORTANT: Please read the complete instructions before commencing fitting.

- Make sure the tray is 100% level in all directions.
- Check that you have the tools required.
- Check the installation site is compatible with the sizes of door supplied.
- Check all the enclosure components are present.
- Check the installation kit is complete.
- Do Not attempt to install the product unless you can tick all 4 boxes.
- The wall plugs supplied with the installation kit are for use in solid walls. Hollow or 'stud partition' walls will require alternative fixings. Please consult a hardware supplier for the correct type.
- It may also be necessary to consult your tiling supplier about the correct method for drilling your tiles.

ATTENTION: TAKE EXTREME CARE WHEN HANDLING GLASS, WEAR PROTECTIVE EYEWEAR AND CLOTHING. DO NOT LEAVE THE GLASS ON HARD SURFACES AND AVOID CONTACT BETWEEN THE GLASS EDGES AND HARD SURFACES OR IMPACTS DURING THE INSTALLATION.

Fixing kit components

SP0GMS0711

Note: Only one of each supplied as product is handed left or right.

SP0GMS0745

SP0GMS0739

Handle

SP0GMS0847

SP0GMS0849

SP0GMS0850

2.5mm
SP0GMS0852

3mm
SP0GMS0851

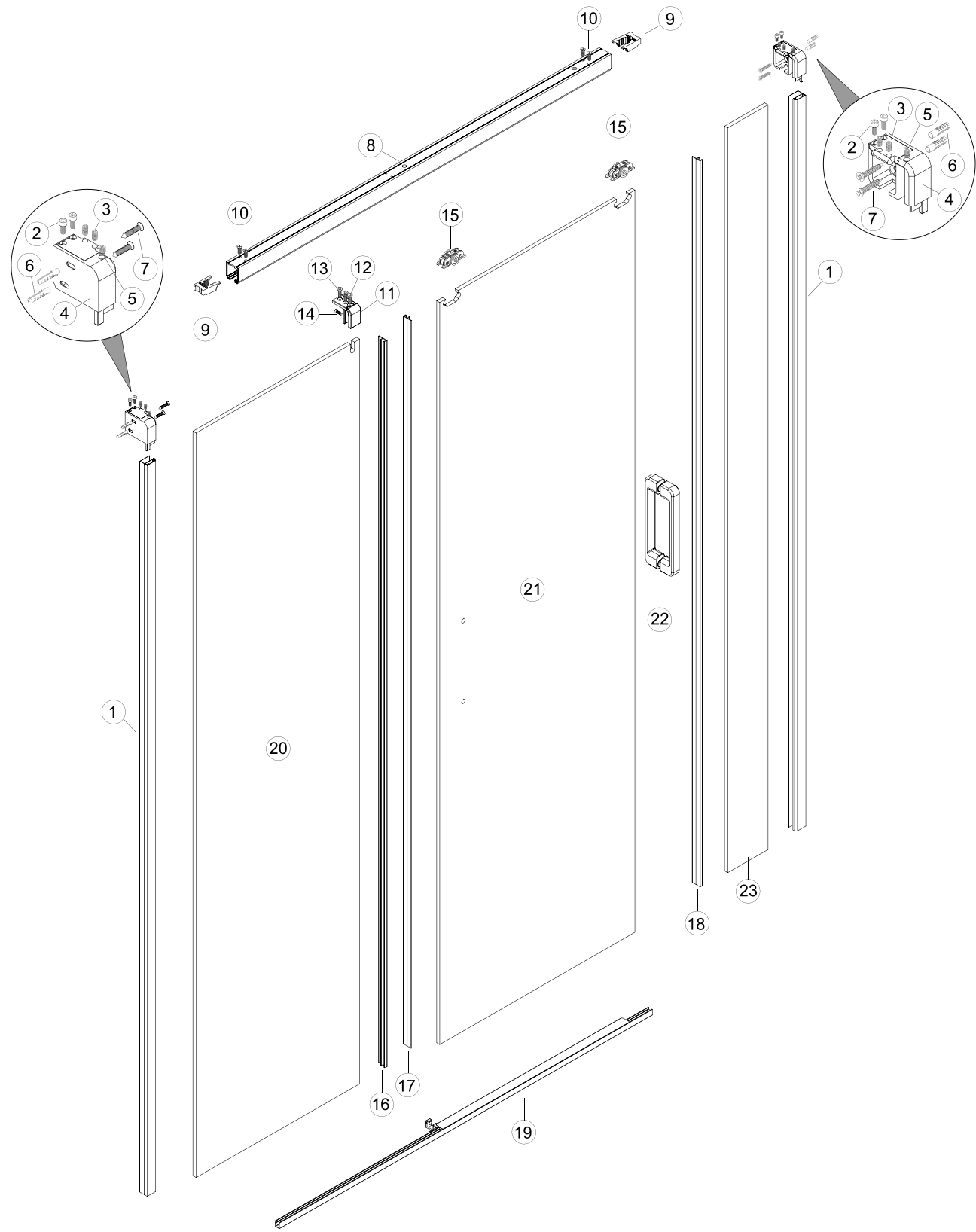
Tools required

Tape Measure

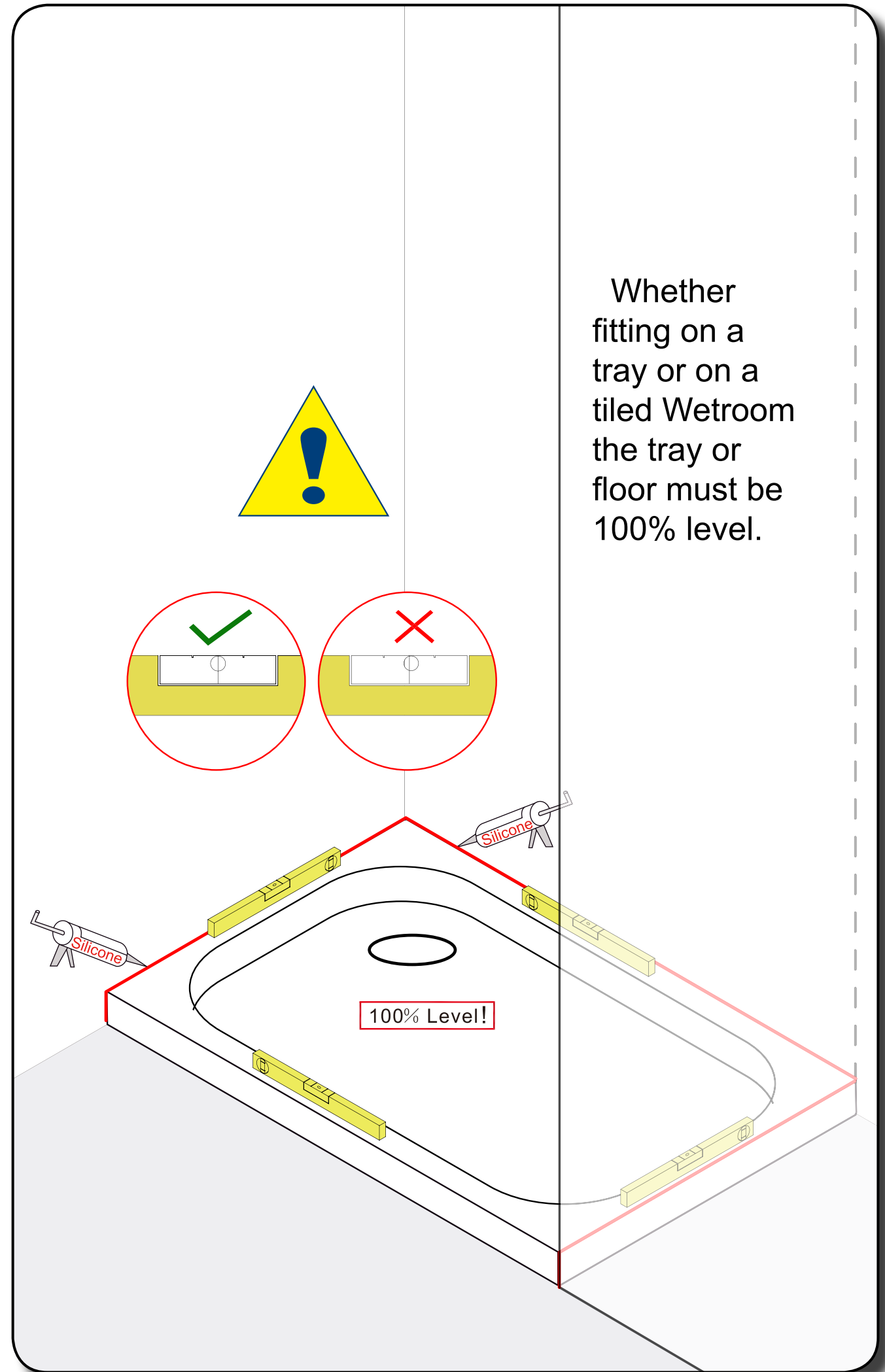
Silicone

PH2

Ø8



No.	QTY	descriptions	Code	No.	QTY	descriptions	Code	No.	QTY	descriptions	Code
1	2	Wall profile	SP0GMS0680	10	4	Roller stop screws	SP0GMS0709	19	1	Threshold	B
2	4	Bracket fixing screws M4x10	SP0GMS0719	11	1	Middle bracket	SP0GMS0739	20	1	Fixed panel	C
3	4	M6x6 grub screw	SP0GMS0718	12	1	M5x14 screw	SP0GMS0738	21	1	Moving panel	D
4	2	Fixed panel wall bracket	SP0GMS0711	13	2	M5x10 screw	SP0GMS0745	22	1	Handle	E
5	2	Plastic grub screw	SP0GMS0717	14	1	M5x12 screw	SP0GMS0846	23	1	Inline panel	F
6	4	Wall plug	SP0GMS0849	15	2	Roller	SP0GMS0710				
7	4	5x40 screw	SP0GMS0847	16	1	fixed panel upright seal	SP0GMS0698				
8	1	Top rail	A	17	1	Moving panel upright seal	SP0GMS0699				
9	2	Roller stop	SP0GMS0708	18	1	Inline panel upright seal	SP0GMS0844				



Whether fitting on a tray or on a tiled Wetroom the tray or floor must be 100% level.

1

1A Wall profiles are labeled Left and Right so make sure you have noted the handing. The seal should be flush on top and show a gap on the bottom.

1B Insert the bracket into the wall profile.

1C **WARNING** Make sure the bracket is seated correctly and there is no gap between the join of the bracket and profile.

3

3A Mark the centre of the slot.

3B Drill the centre of the slot. This is important to allow adjustment.

3C Insert the wall plugs.

2

2A Measure the width of the recess top middle and bottom and check Min. and Max. measurement is within the adjustment of the size chosen.

2B Determine the step in from the front edge of the tray, recommended Min. step in is 10mm.

2C Plumb the wall profiles.

2D **WARNING** Make sure the bracket is seated correctly showing no gap between the join of the wall profile. Make sure the top bracket is level. Mark the wall through the slots in the wall bracket.

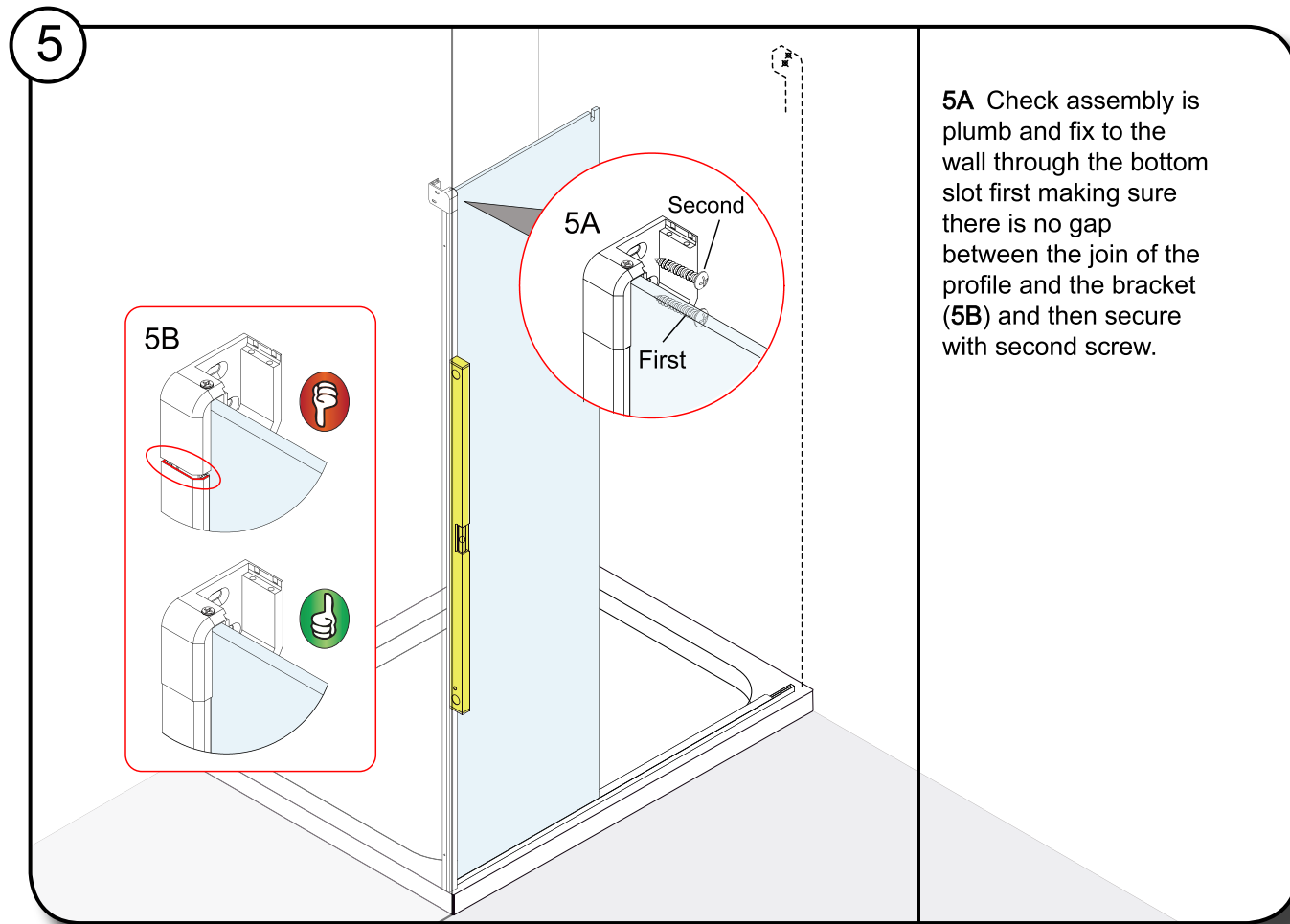
Size	Adjustment 'X'
1200	1160-1190
1225	1185-1215
1250	1210-1240
1275	1235-1265
1300	1260-1290
1325	1285-1315
1350	1310-1340
1375	1335-1365
1400	1360-1390
1425	1385-1415
1450	1410-1440
1475	1435-1465
1500	1460-1490
1525	1485-1515
1550	1510-1540
1575	1535-1565
1600	1560-1590

NOTE! If fitting optional LED profile the fitting procedure is different and you must follow the steps in the LED installation Guide.

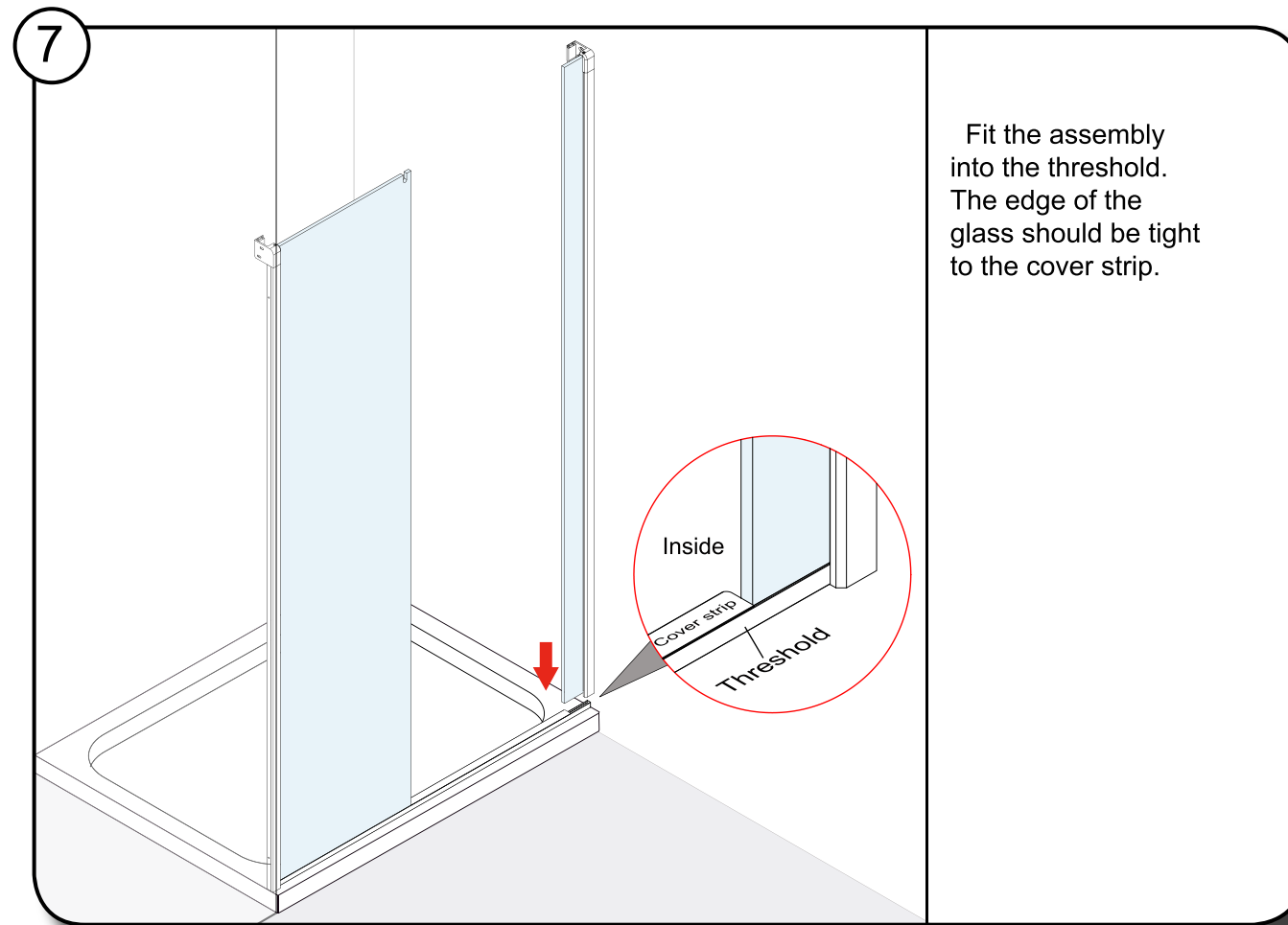
4

4A **WARNING** Fit the fixed panel to into the threshold. Make sure the edge of the glass is tight against the end of the cover strip. Make sure the guide is facing inside.

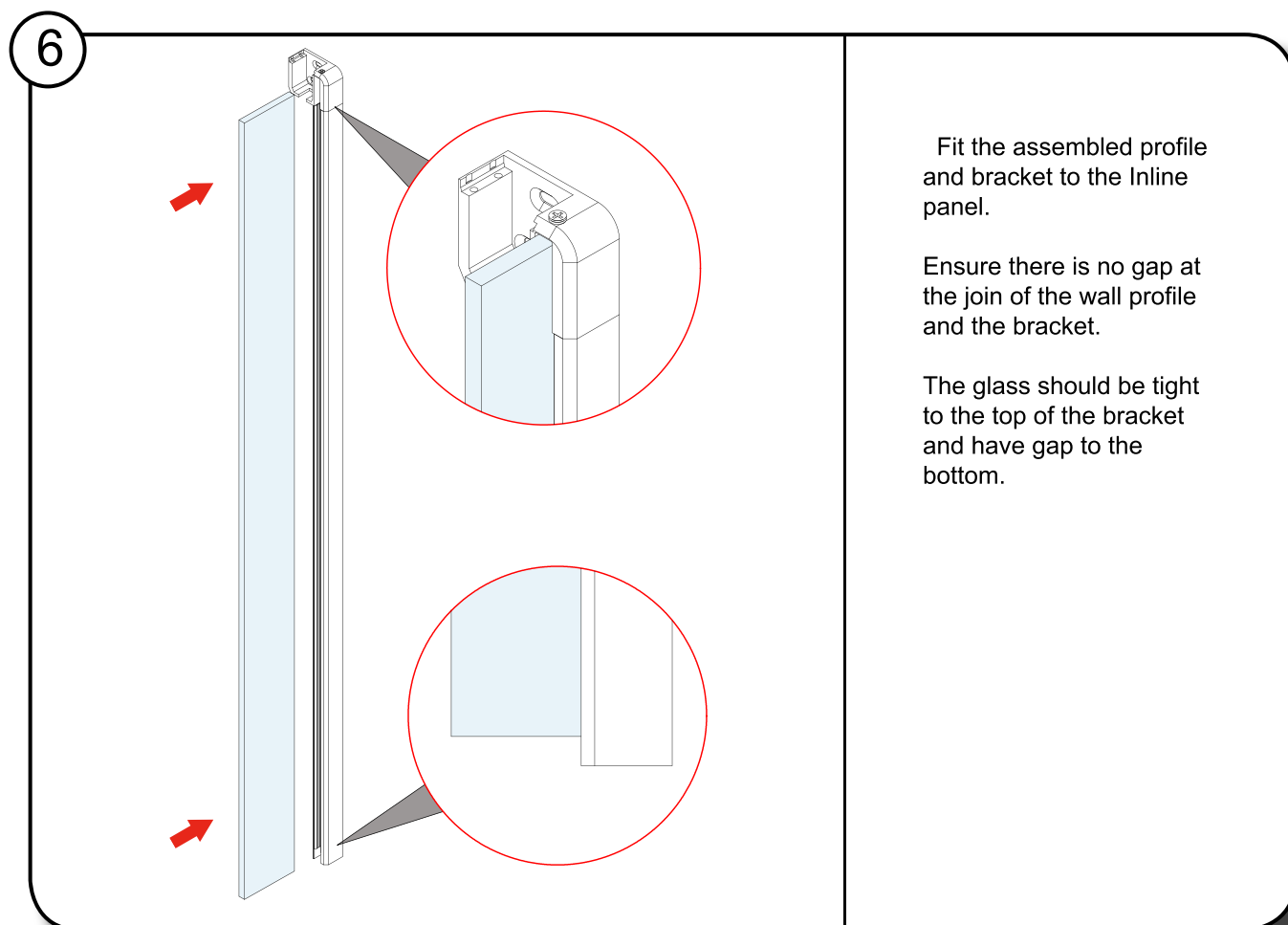
4B Fit the assembled profile and bracket to the fixed panel. Ensure the wall profile is seated fully at the base.



5A Check assembly is plumb and fix to the wall through the bottom slot first making sure there is no gap between the join of the profile and the bracket (5B) and then secure with second screw.



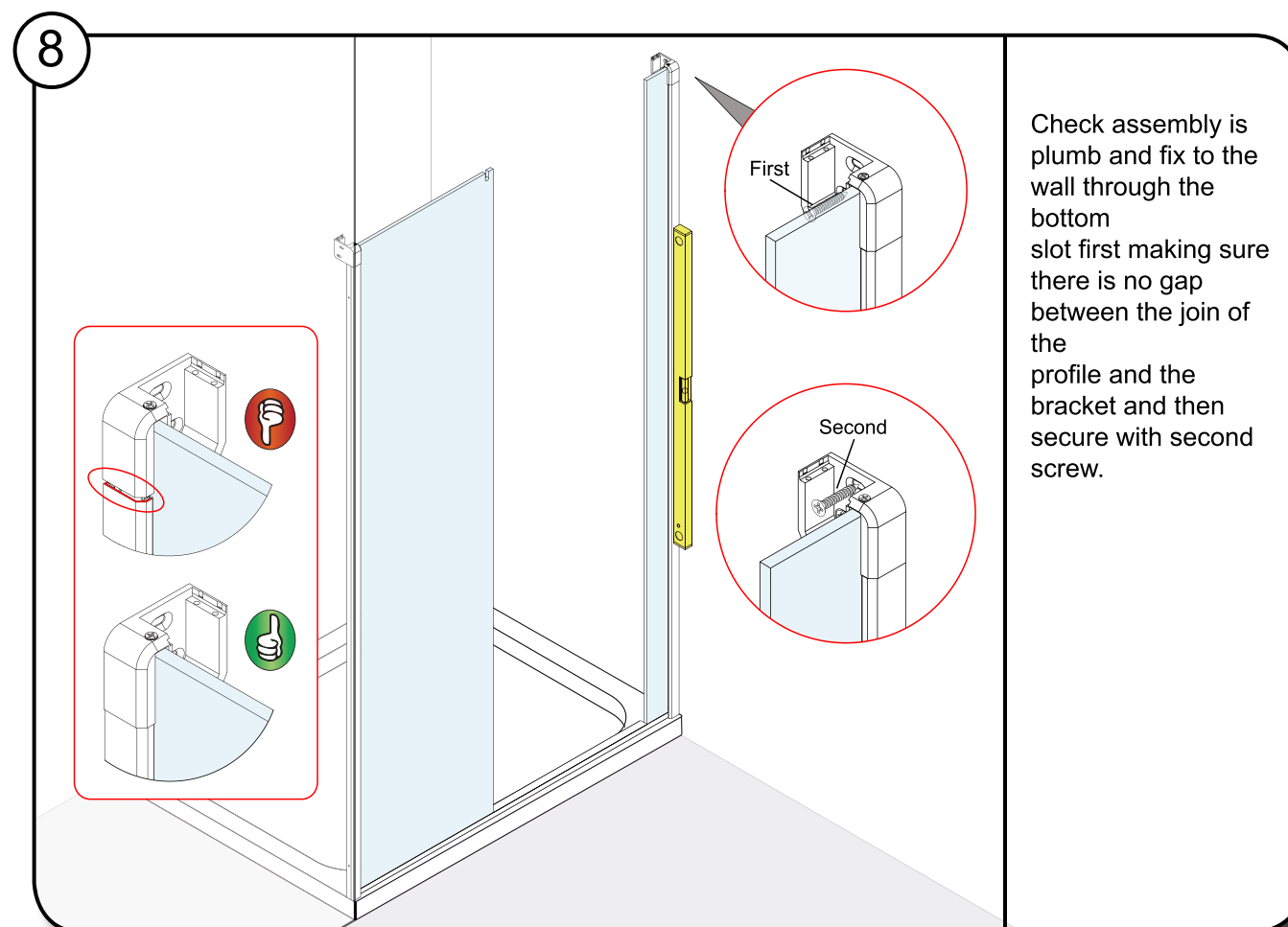
Fit the assembly into the threshold. The edge of the glass should be tight to the cover strip.



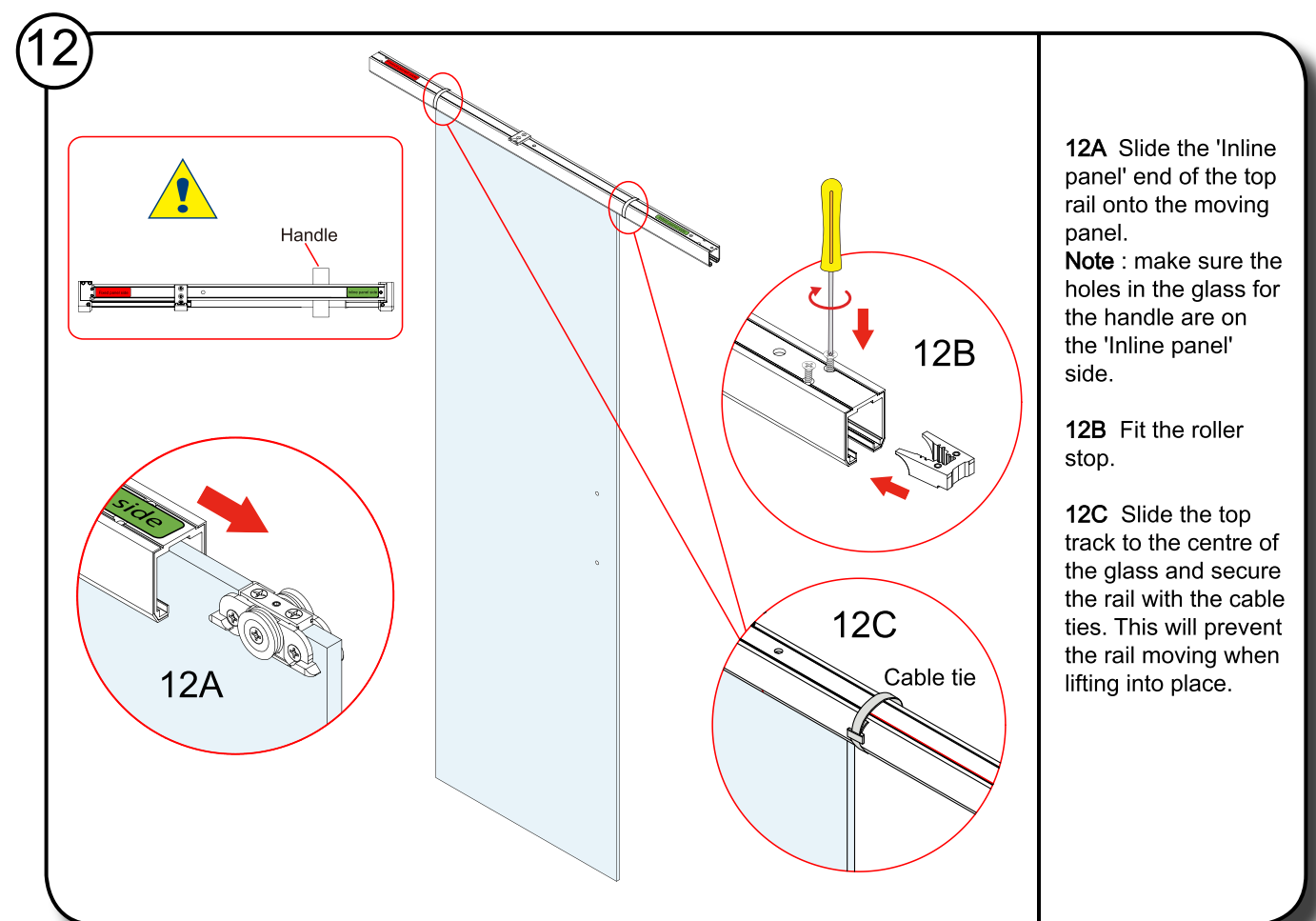
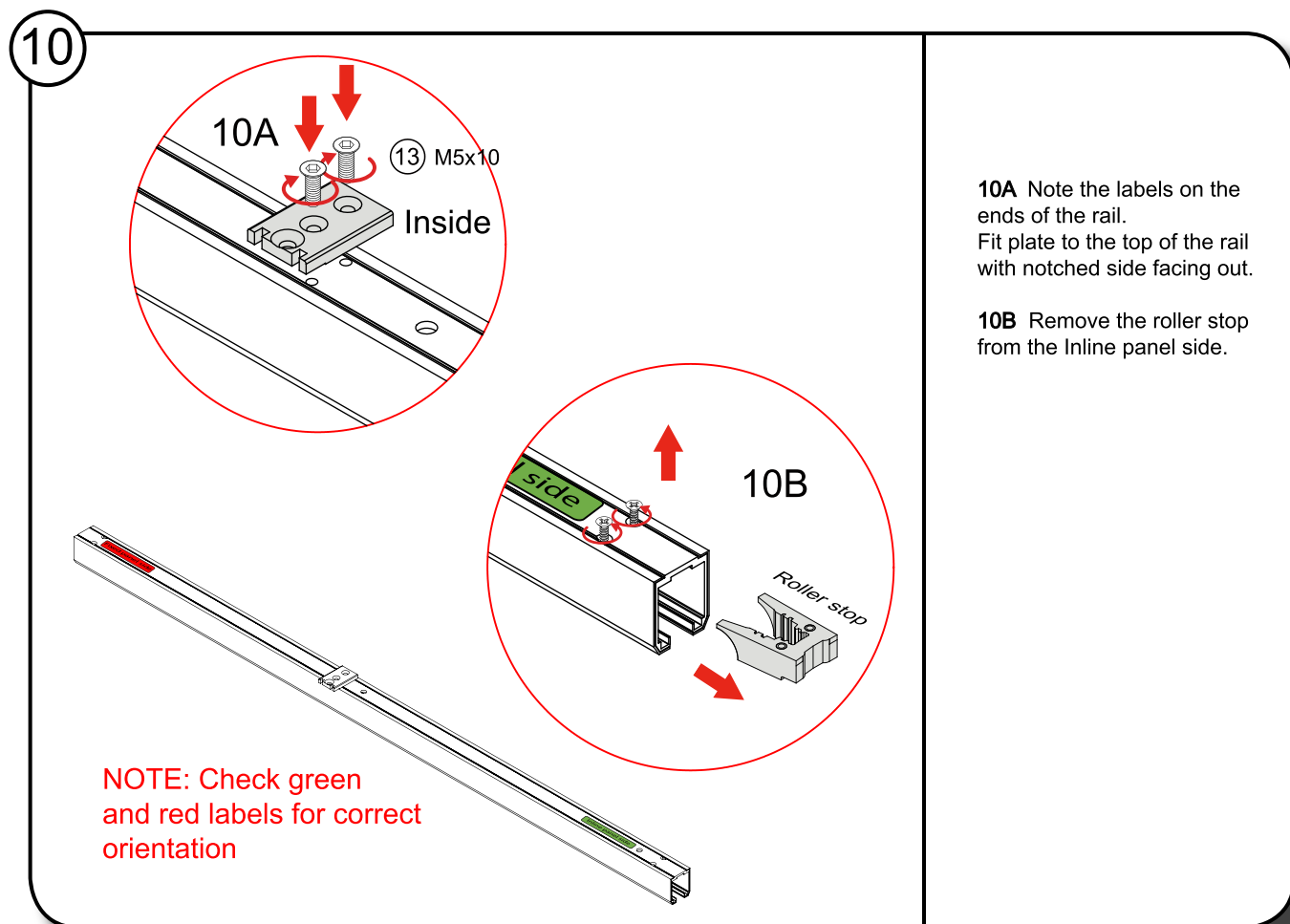
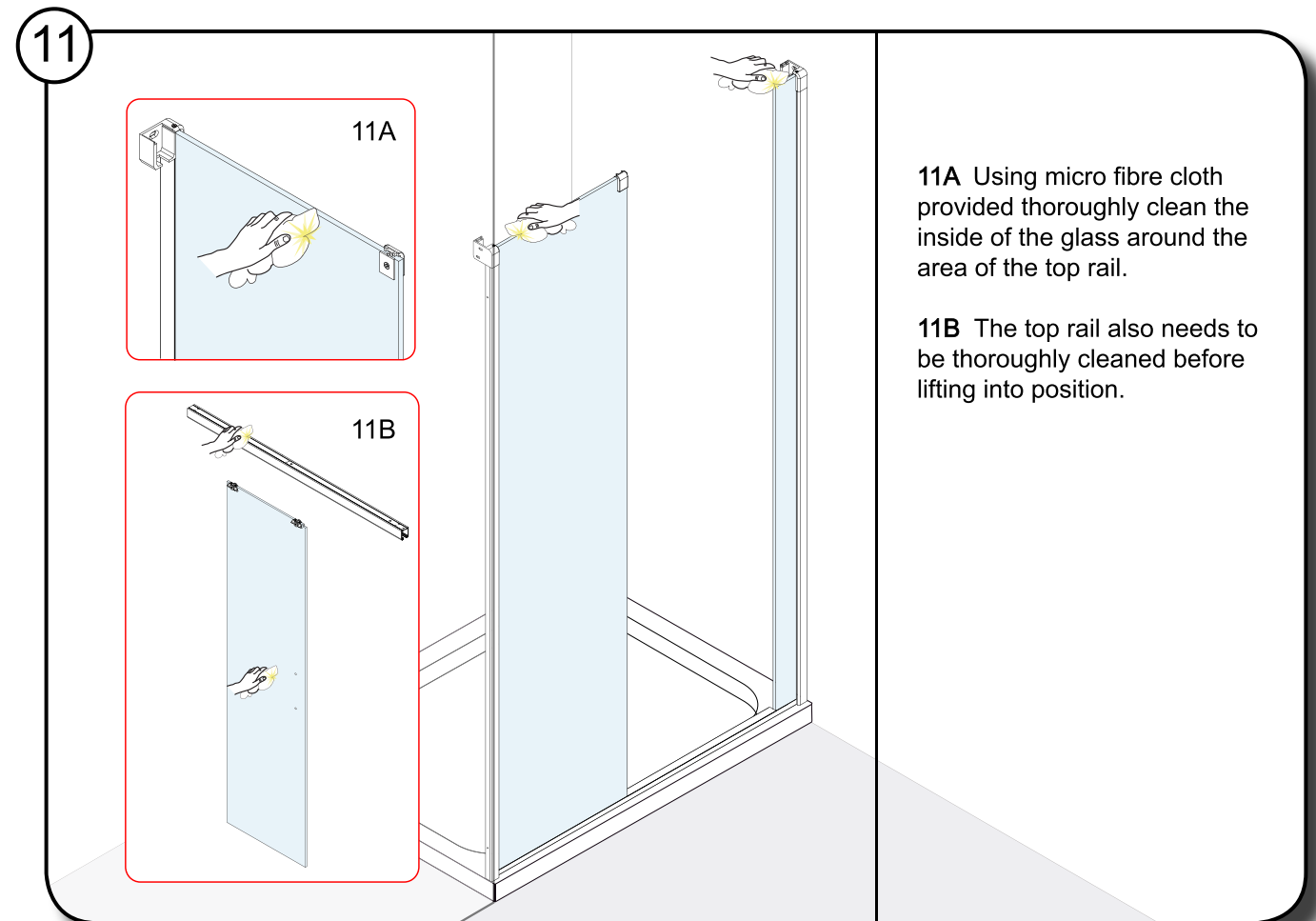
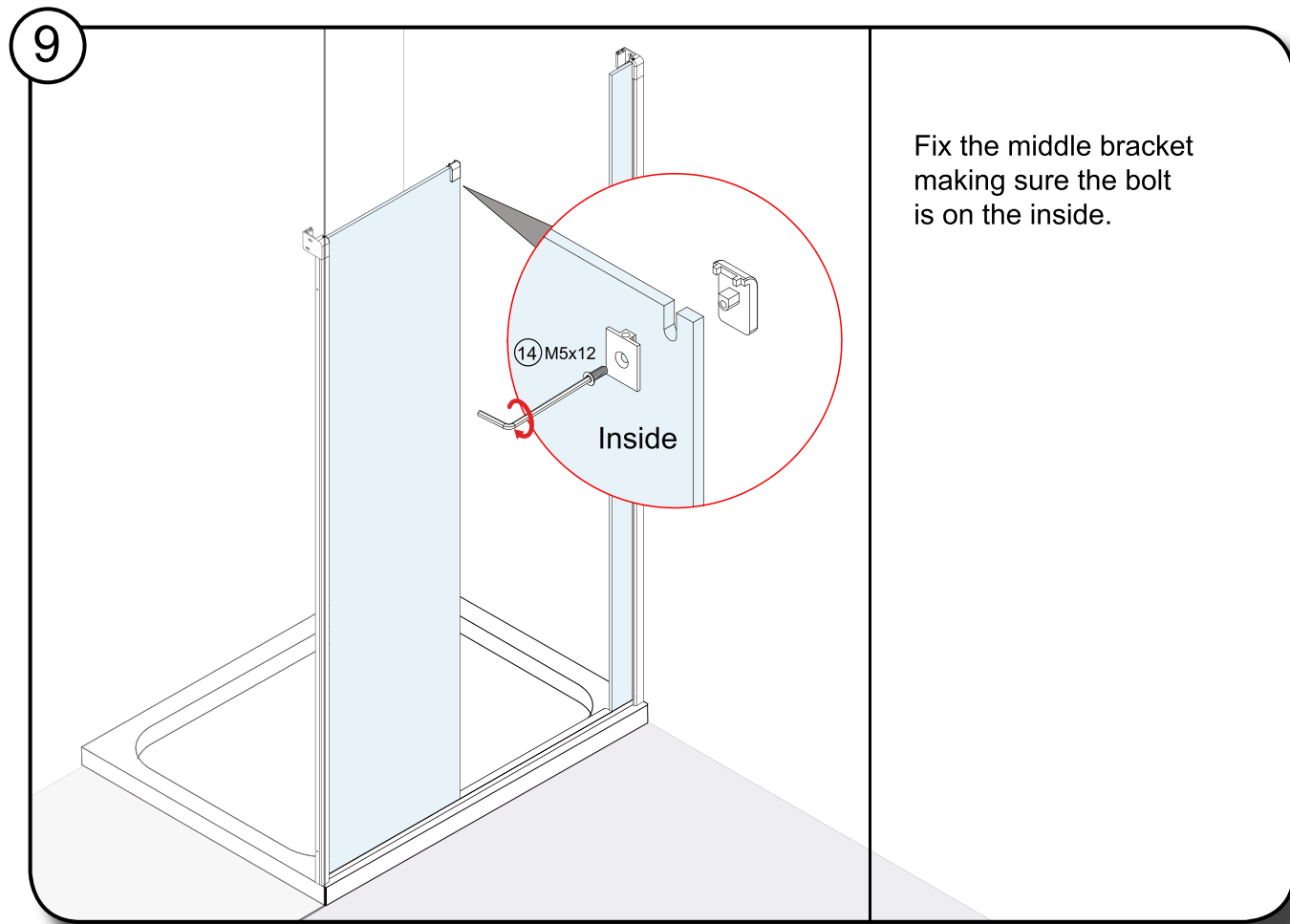
Fit the assembled profile and bracket to the Inline panel.

Ensure there is no gap at the join of the wall profile and the bracket.

The glass should be tight to the top of the bracket and have gap to the bottom.



Check assembly is plumb and fix to the wall through the bottom slot first making sure there is no gap between the join of the profile and the bracket and then secure with second screw.



13

Max. adjustment on each side is 15mm. Make sure to adjust the fixed panel in the wall profile at the same time as the top rail.

13A Lift the moving panel and top rail into the brackets **13B & 13C**. Make sure both parts of the middle bracket **13D** are aligned to allow the rail to drop into position. Keep the bottom of the moving panel out from the guide.

13E Remove the cable ties.

13F When door is fitted move door to the closed position and slide guide over the back edge of the moving panel.

NOTE: Take care not to rest the glass on the top of the guide.

Adjustment 0~15mm

15

Aligning moving panel / adjusting rollers

The height and alignment of the door can be adjusted using the hex key provided. The moving panel must be in the closed position to access the adjusting screw through the access ports on the top of the rail. Turn clockwise to lower and anti-clockwise to raise.

The vertical alignment of the moving panel should be adjusted so there is adequate overlap with the fixed panel and the closing post.

Check the glass is touching the plastic inserts of the guide at all times, lower the panel if necessary.

14

14A Squeeze the fixed panel and rail together to align the bracket and plate and fix with M5 x 14 screw.

14B On Inline panel bracket only remove the plastic grub screw and add dab of silicone. Fit the grub screw and only loosely tighten until it just touches the glass.

14C 1) Slide the fixing plates into the wall brackets. 2) Secure to the bracket with M4 x 10 screws. 3) Lock the rail to the bracket by tightening the grub screws. 4) On fixed panel side do not use silicone. Loosely fix the plastic grub screw so it is flush with the top of the bracket.

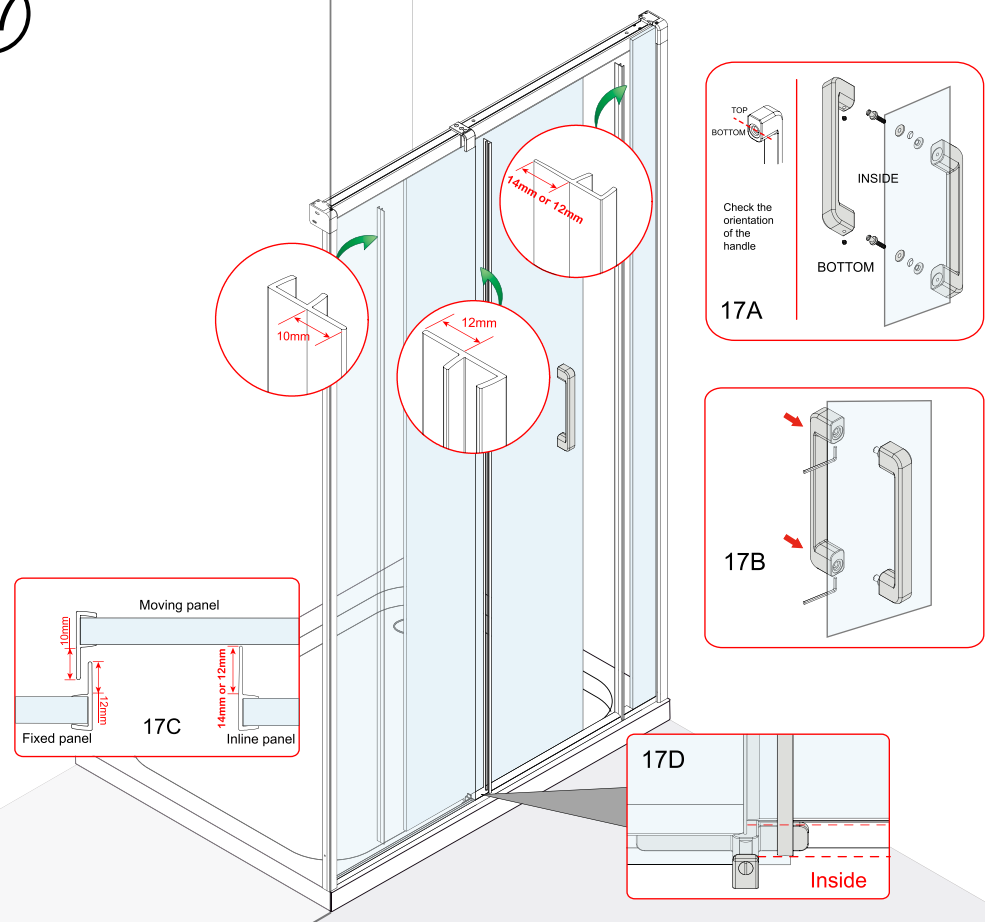
16

As the fixed glass panel is adjusted in the wall profile gaps will appear between the profile and the wall, especially near the bottom.

16A Use the plastic tool provided to push the profile tight to the wall.

16B Check the fixed panel does not move and remains tight to the threshold cover strip.

17



17A Note the top and bottom of the handle, disassemble and fit outer handle making sure to place washers on both side of the glass.

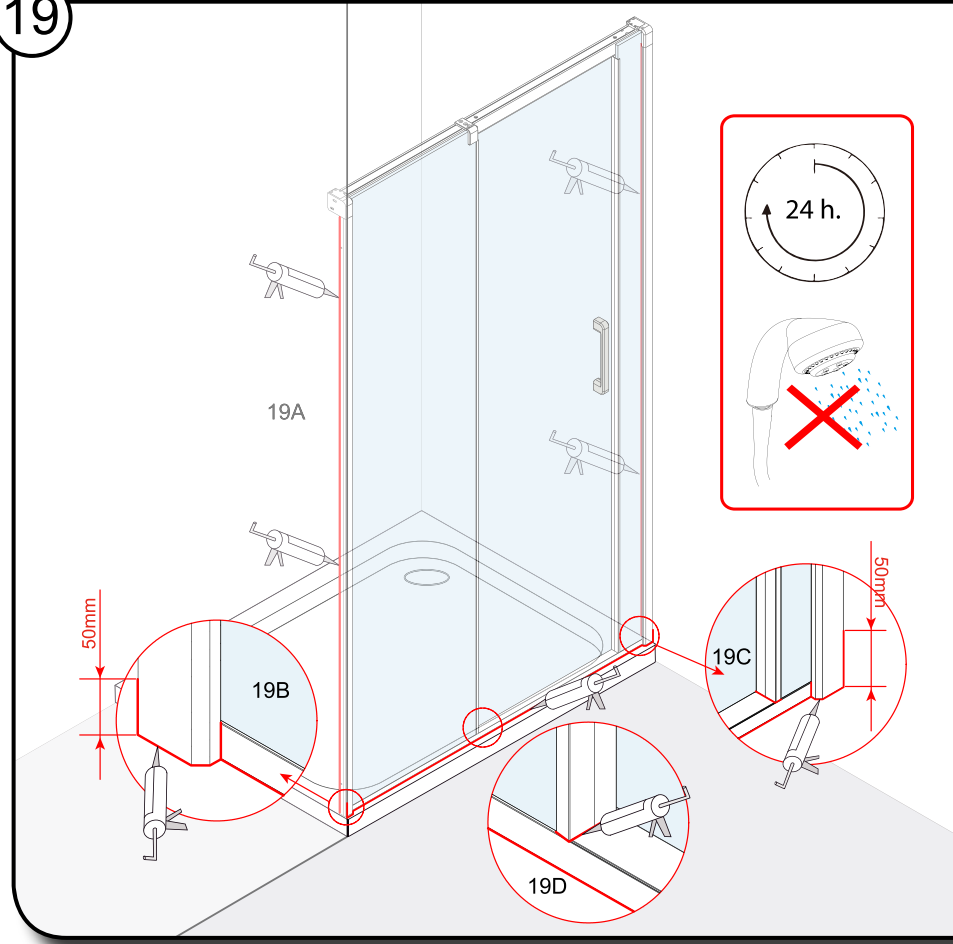
17B When fitting the inner handle make sure the grub screws are to the bottom.

17C Fit upright seals to the edge of the fixed panel and back edge of the moving panel.

17D Fixed panel seal should be tight to the threshold, moving panel seal needs to be above the bottom guide and not touching the top rail.

Note: For fixed panel two seals are provided. Use the 14mm fin where tightness is critical due to the shower head position.

19



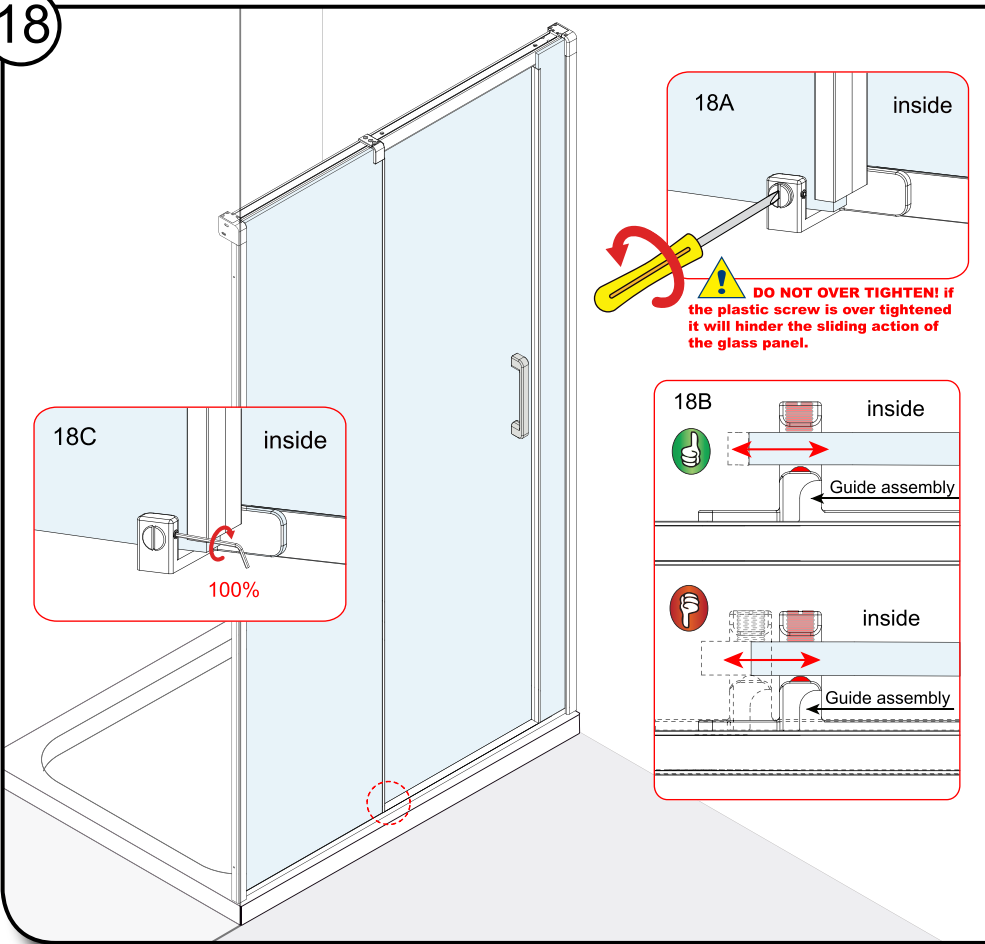
Before sealing make sure all surfaces are clean, dry and free from any residue such as grout.

Use quality silicone sealant and applicator gun to finish the door.

INSIDE
19A On the inside seal top to bottom between the wall profile and the wall.
OUTSIDE
19B Seal along the bottom between the threshold and the tray. Seal 50mm vertically between the wall and the wall profile, and between the threshold and the wall profile.
19C Seal the all joints between the foot plates and threshold and the foot plate and wall.
19D Seal between the bottom of the fixed panel seal and the cover strip.

Do not use the enclosure for 24 hours.

18

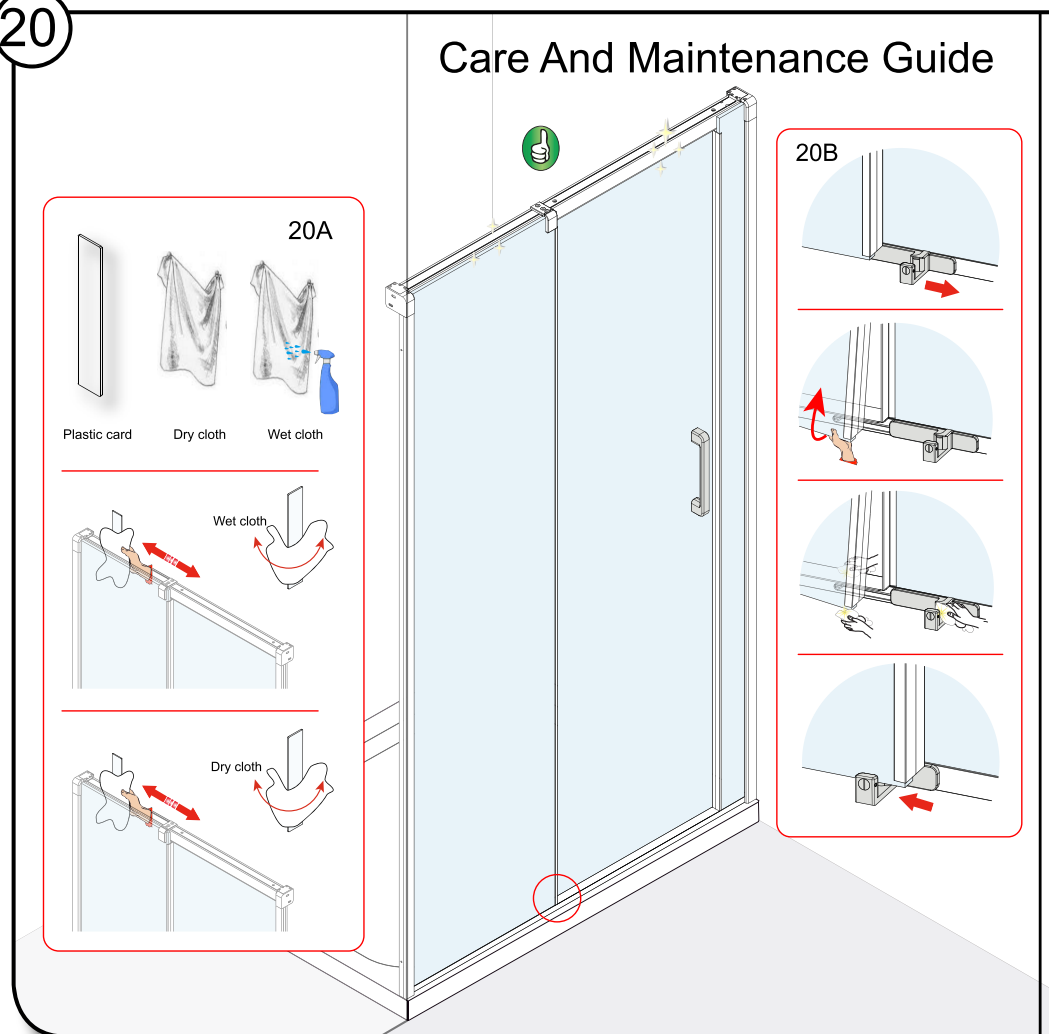


18A Adjust the plastic screw to gently rest against the glass panel. **NOTE:** This is to prevent rattling of the glass panel within the guide.

18B Open and close the moving glass panel to check that the door is sliding freely and movement within the guide is minimised. **NOTE:** Ensure the entire guide assembly does not move with the sliding door as this is an indication that the plastic screw has been over tightened.

18C When satisfied with the plastic screw location, please ensure that the small grub screw is tightened to prevent any movement. This will keep the plastic screw in a fixed position.

20



Care And Maintenance Guide

20A For cleaning the area between the top rail and the fixed glass panel use the micro fibre cloths and card provided. Using a mild detergent dampen one of the cloths and wrap it around the plastic card provided and push between the rail and the glass. Slide the cloth over and back until clean and repeat the process with the dry cloth to shine rail and glass.

20B The moving panel can be released from the bottom guide for ease of cleaning. From inside the enclosure slide the bottom guide away from the moving panel and pull the bottom of the panel towards you. Clean the area around the base of the base of the shower. **Note:** make sure to put the moving panel back into the bottom guide when finished.

www.merlynshowering.com

MERLYN

Merlyn Showering
Unit 8, Purcellsinch Industrial Park,
Dublin Road, Kilkenny, Ireland.
Tel: 00353 56 779 1555
Fax: 00353 56 779 1576
www.merlynshowering.com

To download the Declaration of Performance (DOP) for this product please use the link below.

<https://merlynshowering.com/aftersales-support/dop-certs/>