

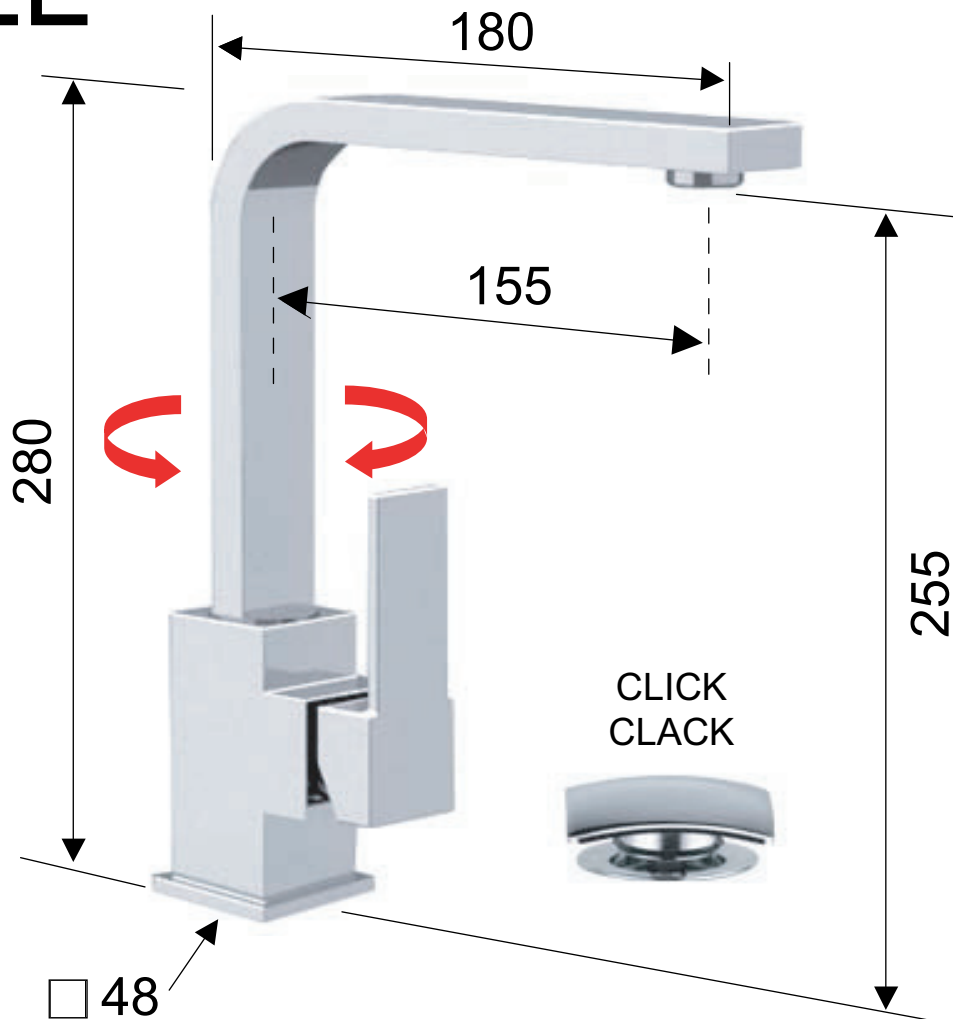


**DANIEL**

SCHEDA TECNICA TECHNICAL FEATURES

ART. COD.

**SK605R**



PRESSIONE / PRESSURE  
PORTATA / FLOW RATE

|          |           |           |           |           |
|----------|-----------|-----------|-----------|-----------|
| <b>1</b> | <b>2</b>  | <b>3</b>  | <b>4</b>  | <b>5</b>  |
| <b>9</b> | <b>12</b> | <b>15</b> | <b>18</b> | <b>21</b> |

bar  
l/min

**MATERIALI / MATERIALS**

**MATERIALI / MATERIALS**

OTTONE CROMATO / CHROME PLATED BRASS

**CROMATURA / CHROME PLATING**

UNI EN 248

Via Leonardo da Vinci 53 20062 Cassano d'Adda (MI) Italy Tel. +39-0363 62651  
info@daniel.it www.daniel.it