







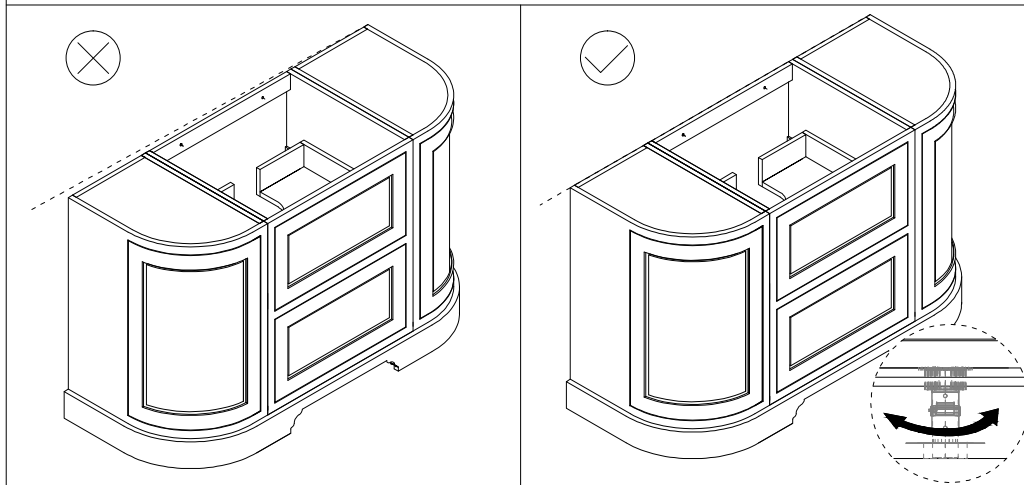
**IMPORTANT:** This unit must be securely fixed to a wall. Ensure that the top is horizontal before marking the wall for fixing. The wall fixings supplied may not be suitable for your installation. You may need to source alternatives depending on the material and strength of the wall you are fixing to.

Buffers are supplied to stop the crash of the doors and drawers. These can be fitted if necessary.

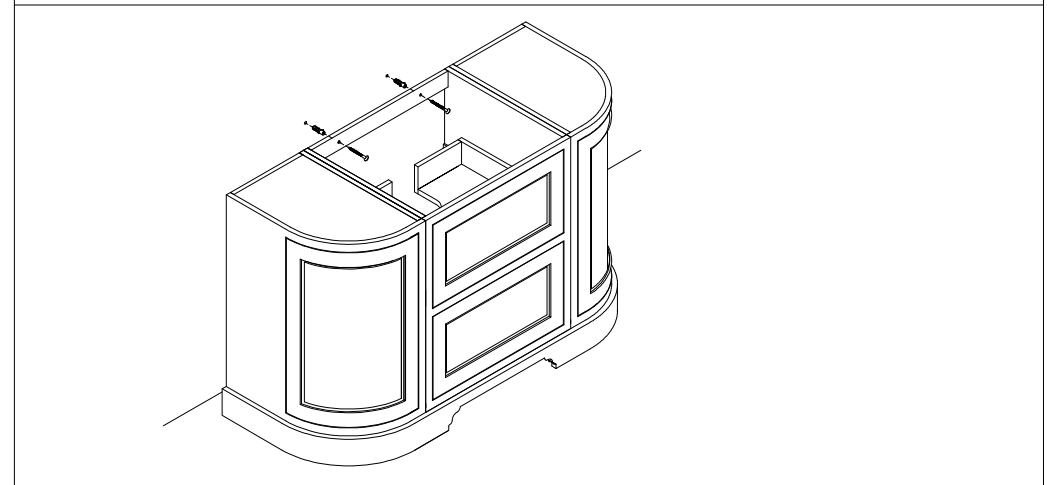
**Parts Supplied:**

						
<b>FF9</b>	2	2	2			
<b>FC10</b>	4	4	4			
<b>FC4</b>	2	2	4	8	4	2

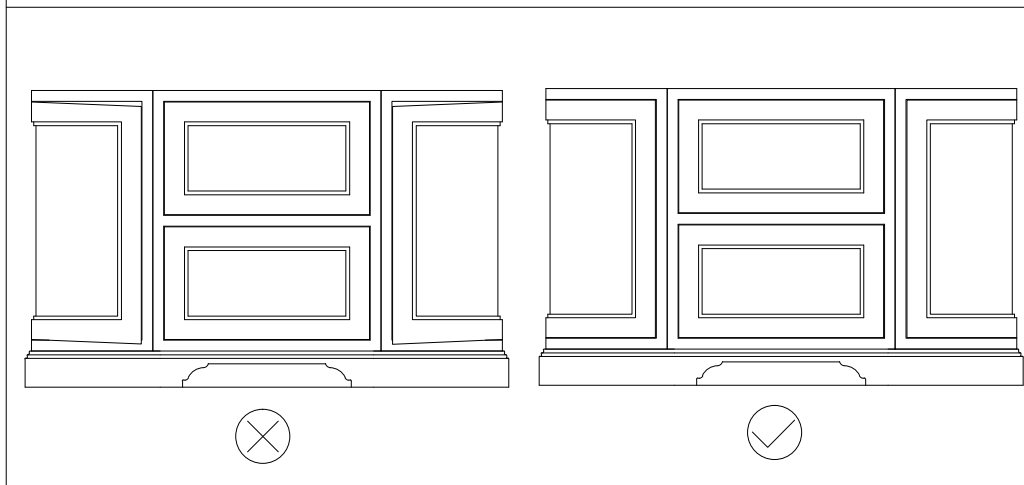
• Place the cabinet in final position, and check for level. If not, please adjust the feet at the bottom of the cabinet.



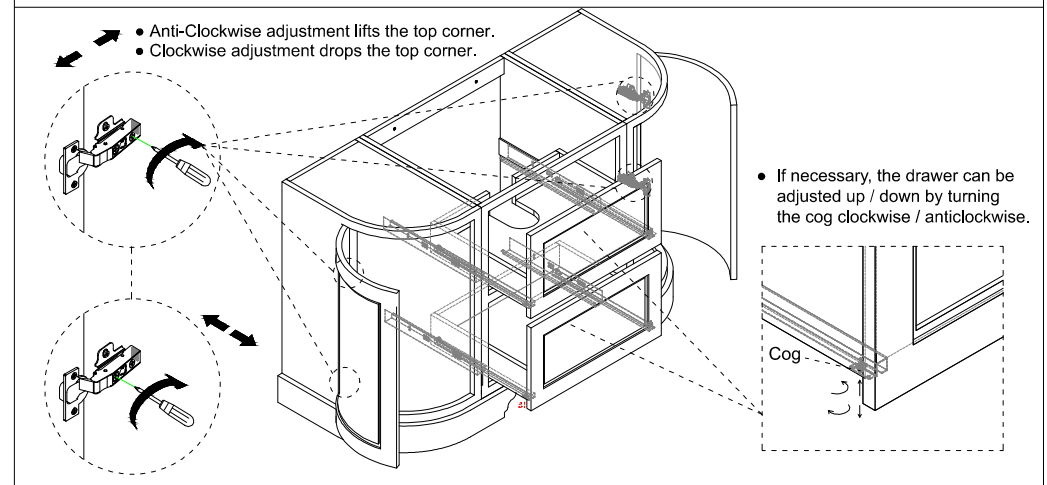
• Fix the cabinet onto the wall.



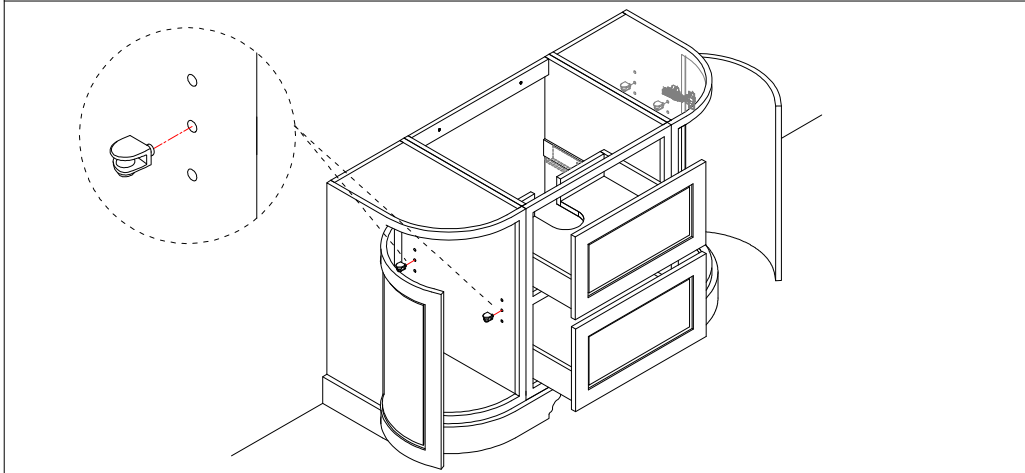
• Check the door or drawer for level. If not, please adjust the screw on the hinge or adjust the cog on the runner.



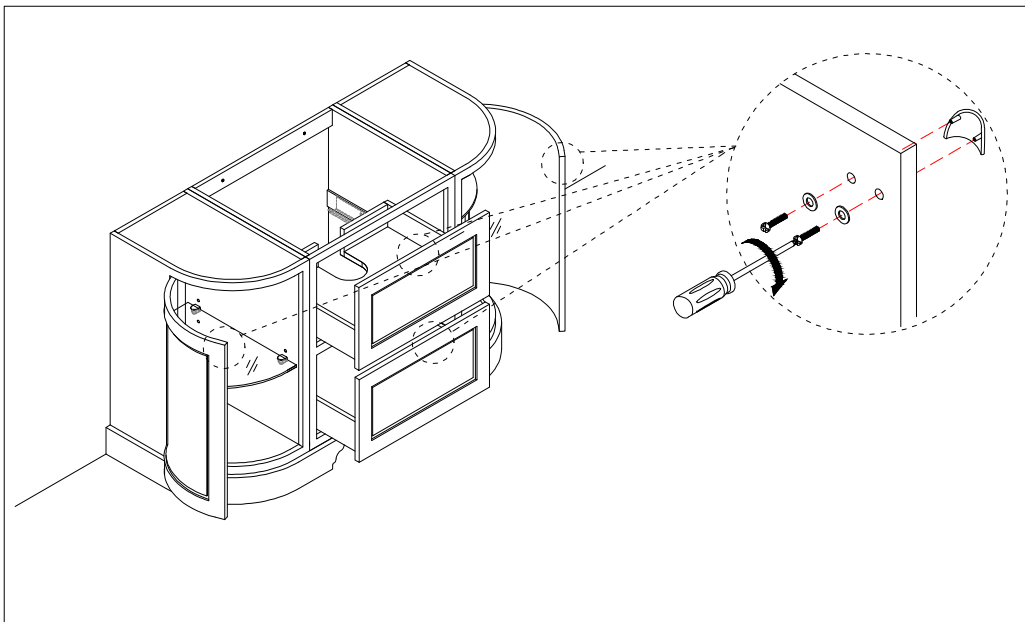
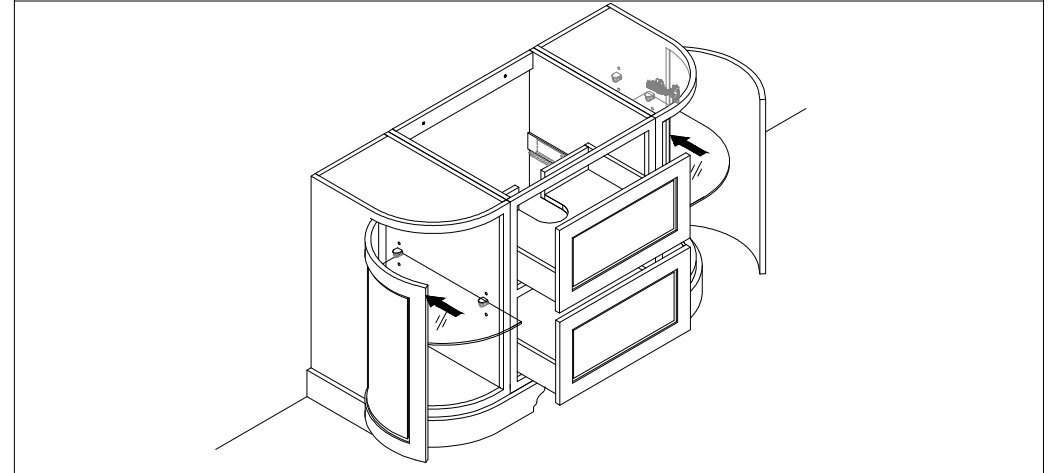
• Check the door/drawer for level. If not, please adjust the screw on the hinge or the cog in the runner.



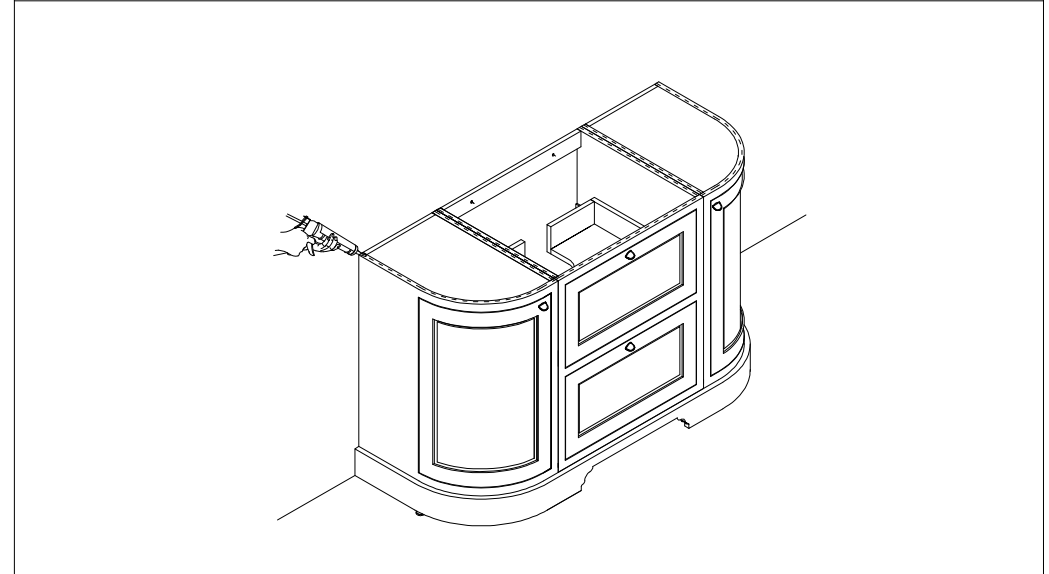
- Please plug in plastic clamp in the proper position.



- Insert the glass shelf (Please remove the protecting film before installing the glass shelf.)



- ⚠ Place silicon seal to top surfaces where worktop/basin sits, and back edge of worktop/basin to wall. This is to prevent water collecting between the worktop/basin and the cabinet.



**Care and Maintenance:** This is a wood product, and has a water resistant finish. It should not be left wet, and the quality of the finish is best maintained if it is wiped with a dry cloth after use. It should only be cleaned using a soft damp cloth followed by a dry cloth. Do not use bleach or any abrasive cleaner.