

## MBF 50



Mobile FORMA a terra finitura cemento  
FORMA floor standing cabinet cement finish

codice  
code

MBF 50 OS

Mobile FORMA a terra finitura olmo bianco  
FORMA floor standing cabinet white elm finish

MBF 50 OB

Mobile FORMA a terra finitura olmo naturale  
FORMA floor standing cabinet natural elm finish

MBF 50 ON

Mobile FORMA a terra finitura cemento  
FORMA floor standing cabinet a terra cement finish

MBF 50 OS

Mobile FORMA a terra finitura olmo bianco  
FORMA floor standing cabinet white elm finish

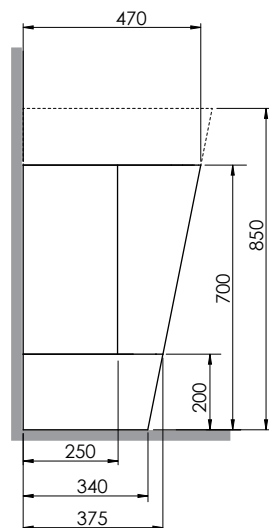
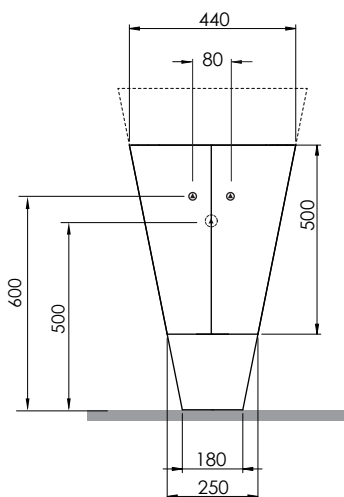
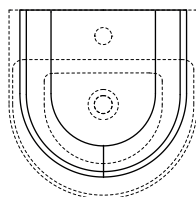
MBF 50 OB

Mobile FORMA a terra finitura olmo naturale  
FORMA floor standing cabinet natural elm finish

MBF 50 ON

Cm44X47XH70

kg .....



scala/scale 1:20 dimensioni/dimensions in mm

### Gamma di colori disponibile per MOBILE

Color range available for FURNITURE



Olmo finitura bianco  
White elm finish



Olmo finitura naturale  
Natural elm finish



finitura cemento  
Concrete finish

TECHNICAL SHEET n°: <b>01</b>	DESIGNER: <b>OFFICINA AZZURRA</b>	CODE: <b>MBF 50</b>	Azzurra sanitari in ceramica S.p.a. via Civita Castellana snc 01030 Castel S.Elia (VT) - ITALY Tel.+39.0761 518155 Fax.+39.0761 514560		
SHEET FORMAT: <b>A4</b>	ISO	REVISION: <b>01</b>	SCALE: <b>1:20</b>	DATE: <b>06/11/2019</b>	
REGULATIONS					
All the measurements respect the tolerances provided by the "AZZURRA QUALITY GUIDELINES".					

