

MBF 50 S



Mobile FORMA sospeso finitura cemento
FORMA wall hung cabinet cement finish

codice
code

MBF S 50 OS

Mobile FORMA sospeso finitura olmo bianco
FORMA wall hung cabinet white elm finish

MBF S 50 OB

Mobile FORMA sospeso finitura olmo naturale
FORMA wall hung cabinet natural elm finish

MBF S 50 ON

Mobile FORMA sospeso finitura cemento
FORMA wall hung cabinet a terra cement finish

MBF S 50 OS

Mobile FORMA sospeso finitura olmo bianco
FORMA wall hung cabinet white elm finish

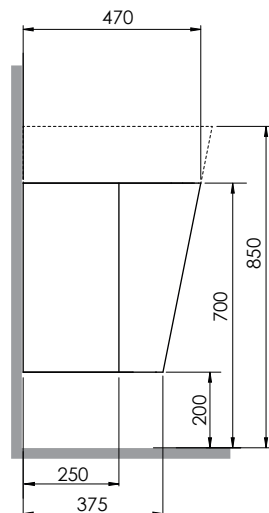
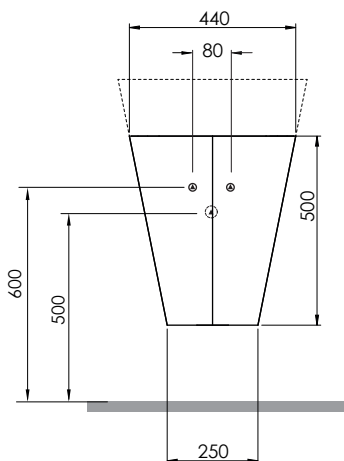
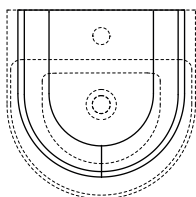
MBF S 50 OB

Mobile FORMA sospeso finitura olmo naturale
FORMA wall hung cabinet natural elm finish

MBF S 50 ON

Cm44X47XH50

kg



scala/scale 1:20 dimensioni/dimensions in mm

Gamma di colori disponibile per MOBILE

Color range available for FURNITURE



Olmo finitura bianco
White elm finish



Olmo finitura naturale
Natural elm finish



finitura cemento
Concrete finish

TECHNICAL SHEET n°: 01	DESIGNER: OFFICINA AZZURRA	CODE: MBF 50 S	Azzurra sanitari in ceramica S.p.a. via Civita Castellana snc 01030 Castel S.Elia (VT) - ITALY Tel.+39.0761 518155 Fax.+39.0761 514560		
SHEET FORMAT: A4	ISO	REVISION: 01	SCALE: 1:20	DATE: 06/11/2019	
REGULATIONS All the measurements respect the tolerances provided by the "AZZURRA QUALITY GUIDELINES".					