

Collection

LOVEME

Article

LM207

Description

Wall mounted wahbasin mixer

Built-in body to be purchased separately INC206XXXN_19

Box Dimensions

275 x 270 x 70 mm

Weight

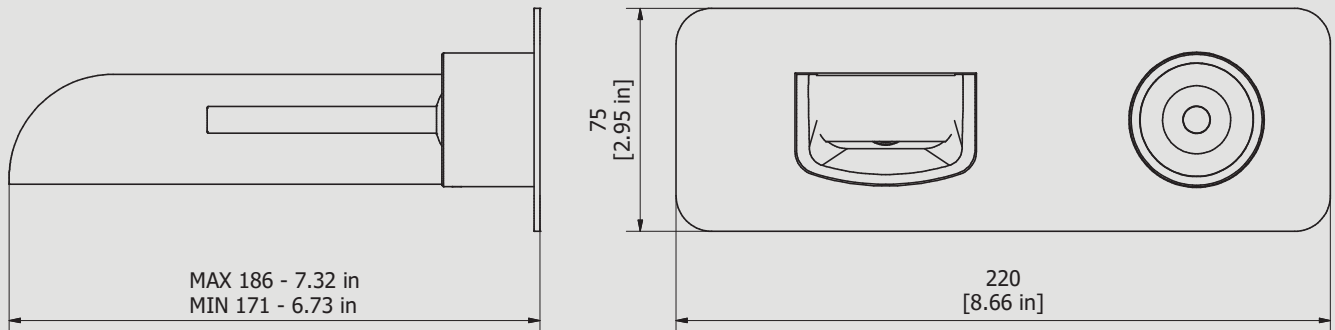
1.9 kg



Finishes

- **CC**
CHROME
- **CF**
BLACK CHROME
- **OO**
GOLD
- **BB**
ANTIQUE BRONZE
- **SS**
BRUSHED NICKEL
- **CS**
BRUSHED BLACK CHROME
- **BO**
MATT WHITE
- **NP**
MATT BLACK
- **IS**
BRUSHED PALE GOLD
- **OS**
BRUSHED GOLD
- **II**
PALE GOLD
- **RR**
ANTIQUE COPPER
- **ORS**
ROSE GOLD
- **ON**
NATURAL BRASS
- **SR**
BRUSHED ROSE GOLD
- **PL**
PLATINUM

Dimensions



Cartridge

Ø35 ceramic cartridge

Threaded fitting

Treaded fitting G1/2" female

Aerator

Flow Rate (+/-10%)

1 BAR	2 BAR	3 BAR
7.5 l/min	8 l/min	8 l/min

Production

Main body is a single casted pieces

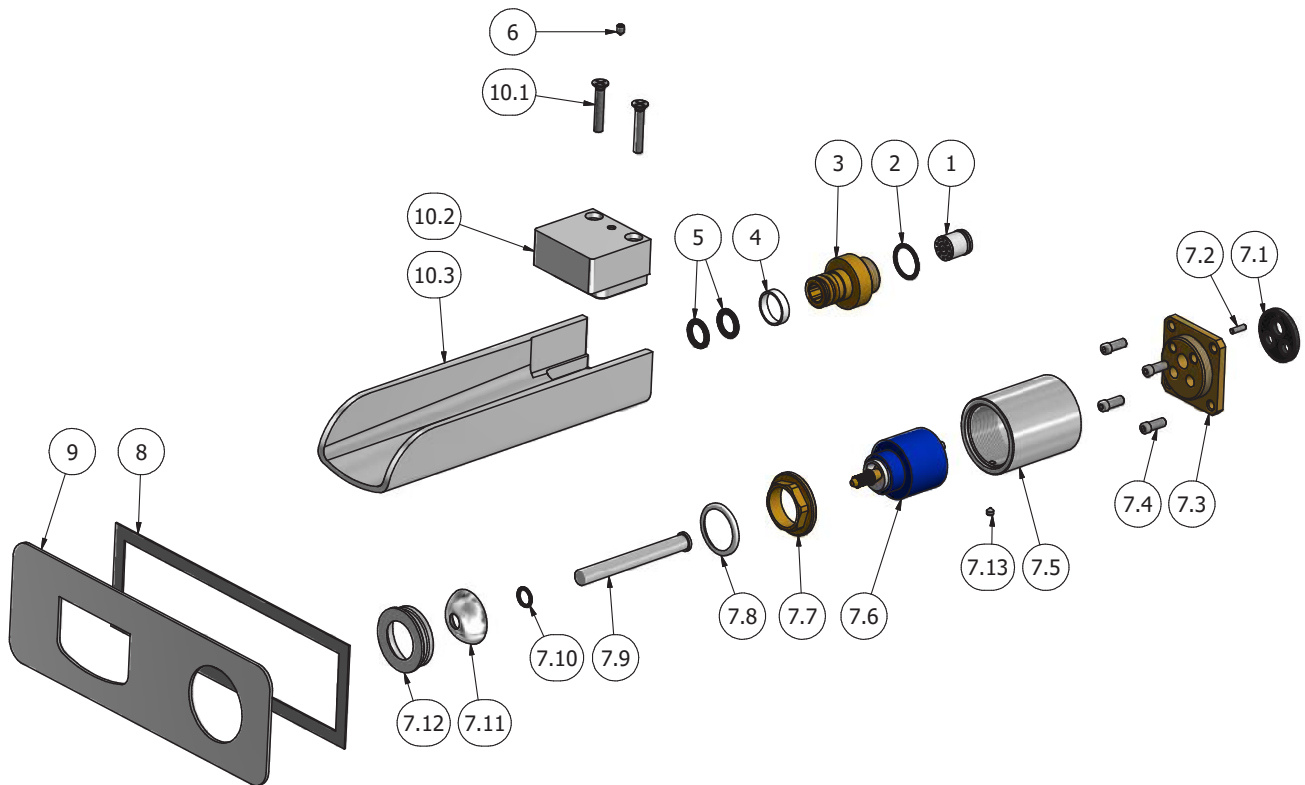
Material

BRASS
According to CuZn35Pb2AL-B (CB752S)
Max Lead content: 1.36%



IB RUBINETTI

Parts list			
ELEM	CODE	DESCRIPTION	QT
1	AQ0010445	Flow reduction valve 8 LT Ø14 31.4186.00001	1
2	AQ0004630	OR 17.16x1.78 NBR 70 SH	1
3	AS0011745	Connection piece G1/2" M L42.5	1
4	AQ0010435	Teflon ring Ø19,9 x 5	1
5	AQ0001360	OR 11.91x2.62 NBR 70 SH	2
6	AQ0010444	Grubscrew M4x6 cone point	1
7	CPIN206CC_59	Preasssembled cartridge mixer joystick	1
7.1	AQ0015684	Gasket Ø31 x Ø3.5	1
7.2	AQ0015357	Grubscrew M3x10 flat point	1
7.3	AS0013040	Insert q.47x47 h11 M22x1M x mixer	1
7.4	AQ0015841	Screw inox m5x12	4
7.5	AC0010580	Cartridge seat ring for built-in washbasin	1
7.6	AQ0010069	Ceramic cartridge joystick Ø35 8z20	1
7.7	AQ0001040	Cartridge ring nut M37x1.5 H9	1
7.8	AQ0010014	Antifriction ring for sphere H.2,5	1
7.9	AC0010230	Rod for lever	1
7.10	AQ0010077	OR 9x1.5 NBR 70 SH	1
7.11	AC0009974	Cover cartridge sphere	1
7.12	AC0009973	Cover nut for sphere Ø38,16 H10	1
7.13	AQ0001082	Grubscrew M4x4 cone point	1
8	AQ0014142	Rubber packing double-sided tape 200x65x8x1	1
9	AC0013127	Plate 220x75x2	1
10	CP1915CC-1	Preassembled spout-out	1
10.1	AQ0010284	Inox screw M5x30	2
10.2	CC0001810	Plug for waterfall spout-out 49.9x45 H29.5	1
10.3	CC0001915	Spout L200 mm	1



WARRANTY

All IB Rubinetterie SpA products are warranted for 10 years from the date of purchase, for the following cases:

- Defects of casting, porosity and chrome plating.
- Operating defects caused by incorrect fabrication.

The warranty provides for repair or replacement of products with fabrication defects recognized by our technical office. There is no other type of compensation anche the merchandise must be returned FOB our warehouse. The warranty only cover surface defects (scatches, dings, etc.) on fitting that have not been installed and used, returned in its original packaging with all components. O-ring, gasket seals and components subject to wear proportional to use are warranted for 2 years.

The warranty is void in the following cases:

Error installing and putting the product into service.

Deterioration of finished surfaces due to use of cleaning products containing acids or abrasive substances. Deterioration of surface with finishes other than chrome plating. Their durability is, in fact, dependent on the user's care and gentleness of use.

Deterioration of the fitting due incorrect installation.

Improper repairs and maintenance performed without the company's prior authorization.

The warranty from IB Rubinetterie SpA is not renewable.

Cleaning

We recommended cleaning the finish surfaces with water and soap, using a soft cloth.

Do not use detergents that contain hydrochloric acid or abrasive substances.

