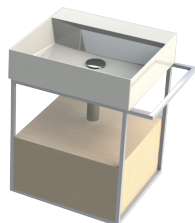


## MSQ 50



Mobile sospeso SQUARED struttura nera con cassettoni finitura cemento  
SQUARED wall-hung cabinet black structure and cement finish drawer

codice  
code

MSQ 50 N OS

Mobile sospeso SQUARED struttura nera con cassettoni finitura olmo bianco  
SQUARED wall-hung cabinet black structure and white elm finish drawer

MSQ 50 N OB

Mobile sospeso SQUARED struttura nera con cassettoni finitura olmo naturale  
SQUARED wall-hung cabinet black structure and natural elm finish drawer

MSQ 50 N ON

Mobile sospeso SQUARED struttura bianca con cassettoni finitura cemento  
SQUARED wall-hung cabinet white structure and cement finish drawer

MSQ 50 B OS

Mobile sospeso SQUARED struttura bianca con cassettoni finitura olmo bianco  
SQUARED wall-hung cabinet white structure and white elm finish drawer

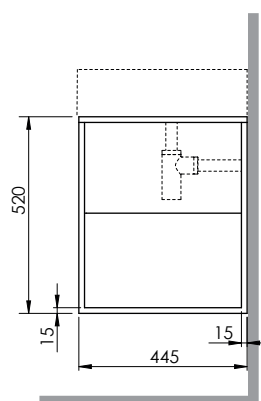
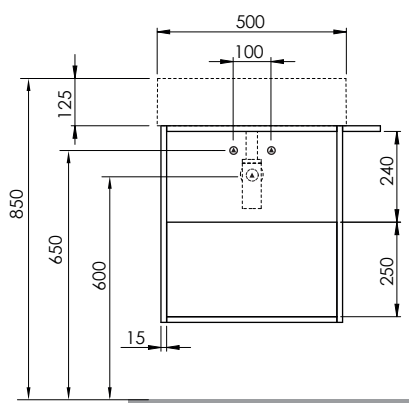
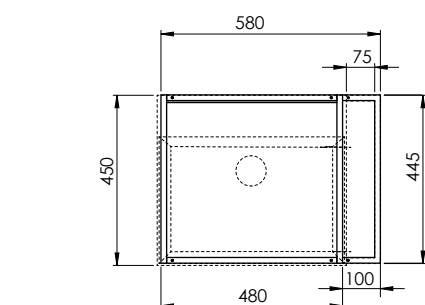
MSQ 50 B OB

Mobile sospeso SQUARED struttura bianca con cassettoni finitura olmo naturale  
SQUARED wall-hung cabinet white structure and natural elm finish drawer

MSQ 50 B ON

Cm 58X44,5XH52

kg 17,5



scala/scale 1:20 dimensioni/dimensions in mm

Gamma di colori disponibile per MOBILE  
Color range available for FURNITURE



Gamma di colori disponibile per STRUTTURA  
Color range available for STRUCTURE



TECHNICAL SHEET n°: <b>01</b>	DESIGNER: <b>OFFICINA AZZURRA</b>	CODE: <b>MSQ 50</b>	Azzurra sanitari in ceramica S.p.a. via Civita Castellana snc 01030 Castel S.Elia (VT) - ITALY Tel.+39.0761 518155 Fax.+39.0761 514560		
SHEET FORMAT: <b>A4</b>	ISO	REVISION: <b>01</b>	SCALE: <b>1:20</b>	DATE: <b>10/10/2019</b>	
REGULATIONS All the measurements respect the tolerances provided by the "AZZURRA QUALITY GUIDELINES".					