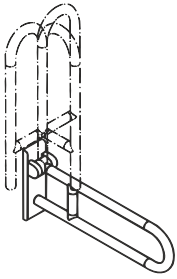
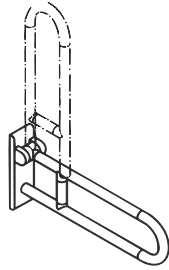


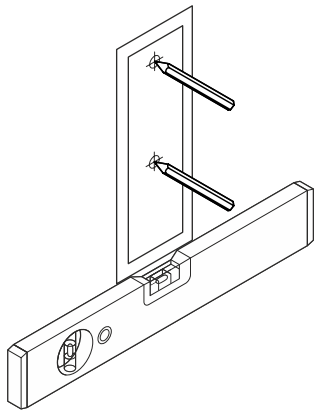
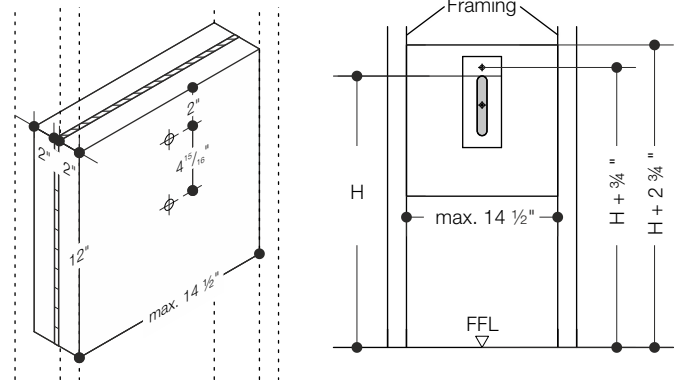
For hinged support rails:



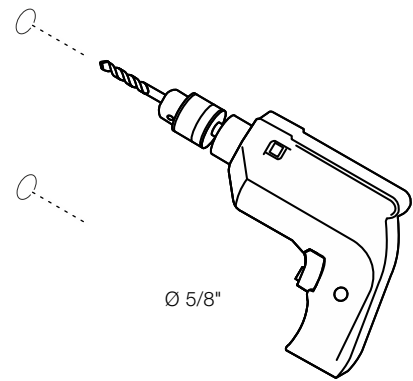
801.50.1...



801.50.2...

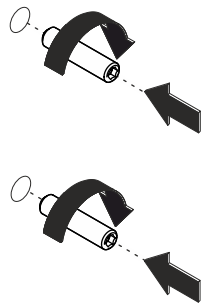


1

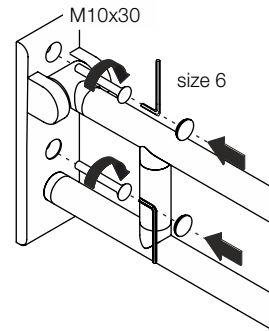


2

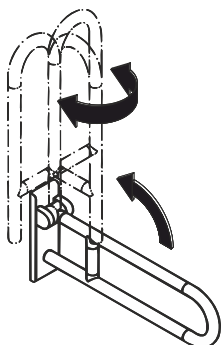
The screw inserts must be flush with the finished wall.



3



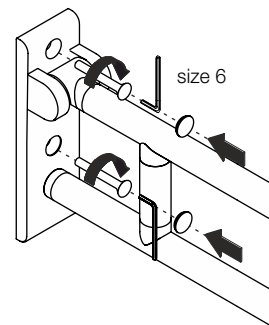
4



Locking function (only 801.50.1...)

Lift up support and swivel to the left or right to lock into horizontal position. To return to vertical position, rotate bar to center of base and lower.

5



To remove

Unscrew and remove support.

1