

Art.: H1102 03 03

Conexión flexible trenzada GEFLEX DN8 M 3/8" - H 3/8"
Flexible connection braided GEFLEX DN8 M 3/8" - F 3/8"

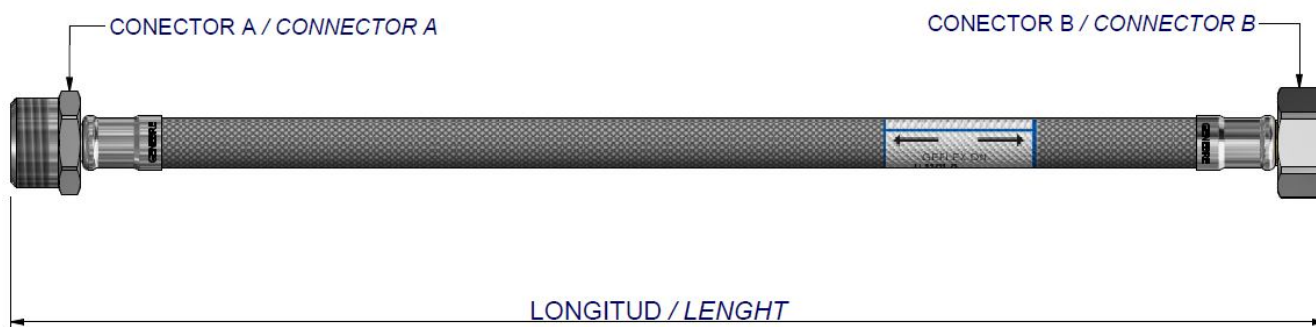


Descripción	Description
Conexiones flexibles trenzadas DN8 fabricadas según normativa UNE-EN 13618. Calidad alimentaria según NF XP P 41-280. Junta de EPDM incluida. Racores según EN ISO 228-1. Utilizados para suministro de agua potable.	Flexible DN8 braided connections manufactured according to UNE-EN 13618 standards. Food quality according to NF XP P 41-280. EPDM gasket included. Fittings according to EN ISO 228-1. Used for drinking water supply.

Aplicaciones / Applications			
Instalaciones sanitarias Sanitary facilities	Griferías Faucets	Cisternas Tanks	Maquinaria de hostelería Hotel industry machinery

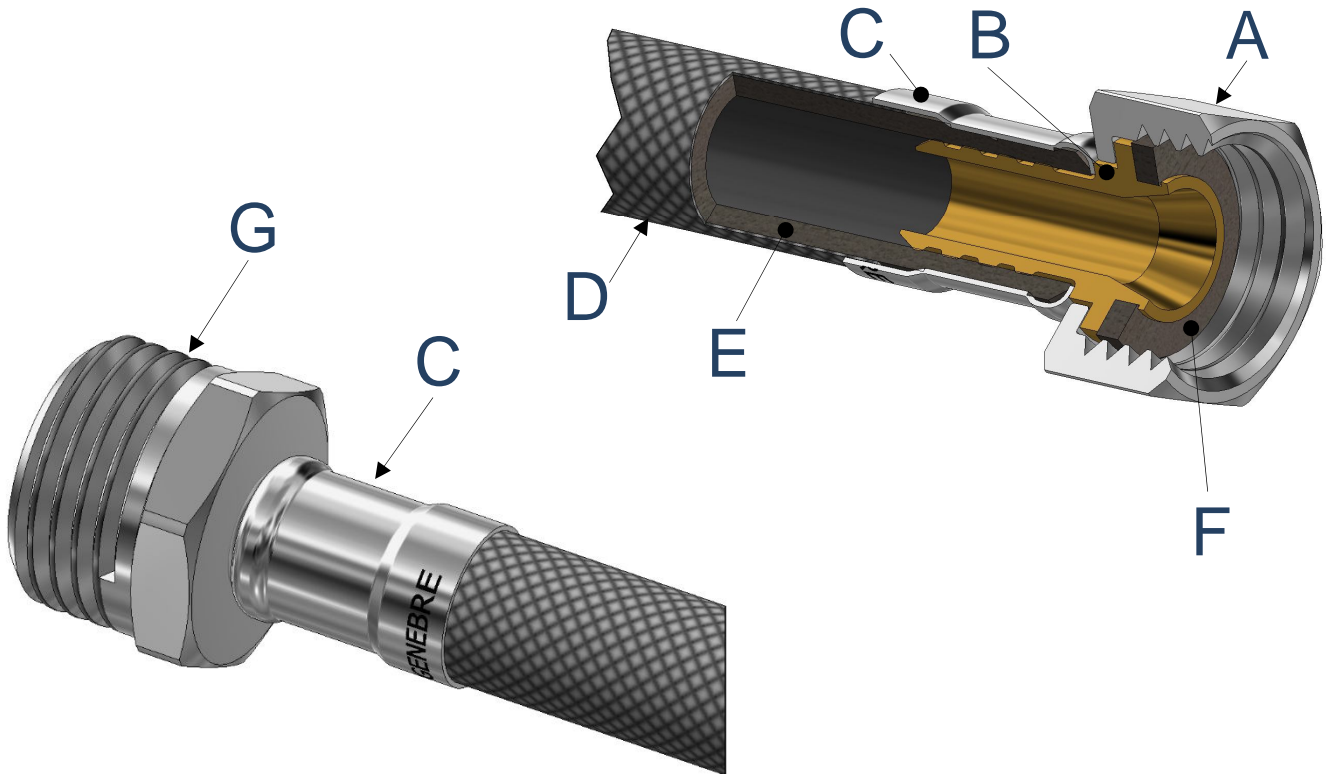
Características / Features	
<p>Conexiones flexibles DN8 Ø Int. 8 mm Ø Ext. 12 mm Flexible connections DN8 Ø Int. 8 mm Ø Ext. 12 mm</p>	<p>Radio mínimo de curvatura 30 mm Minimum radius of curvature 30 mm</p>
<p>Presión máxima trabajo 10 Bar Maximum work pressure 10 Bar</p>	<p>Diámetro interior del racor 6 mm Fitting inner diameter 6 mm</p>
<p>Temperatura máxima trabajo 90° C. Temperatura mínima trabajo 5° C Maximum work temperature 90°C. Minimum work temperature 5°C.</p>	<p>Caudal. Ver pagina 4 Flow rate. See page 4</p>

Dimensiones / Dimensions



Referencia Reference	Descripción / Description	Conector A Connector A	Conector B Connector B	Longitud Length
H1102 03 03 015	GEFLEX DN8 M 3/8" - F 3/8" 15 cm	M 3/8"	F 3/8"	15 cm
H1102 03 03 020	GEFLEX DN8 M 3/8" - F 3/8" 20 cm	M 3/8"	F 3/8"	20 cm
H1102 03 03 025	GEFLEX DN8 M 3/8" - F 3/8" 25 cm	M 3/8"	F 3/8"	25 cm
H1102 03 03 030	GEFLEX DN8 M 3/8" - F 3/8" 30 cm	M 3/8"	F 3/8"	30 cm
H1102 03 03 035	GEFLEX DN8 M 3/8" - F 3/8" 35 cm	M 3/8"	F 3/8"	35 cm
H1102 03 03 040	GEFLEX DN8 M 3/8" - F 3/8" 40 cm	M 3/8"	F 3/8"	40 cm
H1102 03 03 050	GEFLEX DN8 M 3/8" - F 3/8" 50 cm	M 3/8"	F 3/8"	50 cm
H1102 03 03 060	GEFLEX DN8 M 3/8" - F 3/8" 60 cm	M 3/8"	F 3/8"	60 cm
H1102 03 03 080	GEFLEX DN8 M 3/8" - F 3/8" 80 cm	M 3/8"	F 3/8"	80 cm
H1102 03 03 100	GEFLEX DN8 M 3/8" - F 3/8" 100 cm	M 3/8"	F 3/8"	100 cm

Materiales / Materials



Descripción / Description	Posición / Position	Material	Acabado / Finished
Tuerca 3/8" DN8 / 3/8" DN8 Nut	A	Latón CW617N / Brass CW617N	Niquelado / Nickel plated
Inserto 3/8" DN8 / 3/8" DN8 Insert	B	Latón CW617N / Brass CW617N	Limpado al ácido / Cleaned to acid
Casquillo / Sleeve	C	Acero Inoxidable AISI 304 Stainless Steel AISI 304	---
Malla / Braiding	D	Acero Inoxidable AISI 304 Stainless Steel AISI 304	---
Tubo Interior / Inner tube	E	EPDM	---
Junta plana / Gasket	F	EPDM	---
Macho 3/8" DN8 / 3/8" DN8 Male	G	Latón CW617N / Brass CW617N	Niquelado / Nickel plated

Ver consejos de Instalación / See Installation tips

