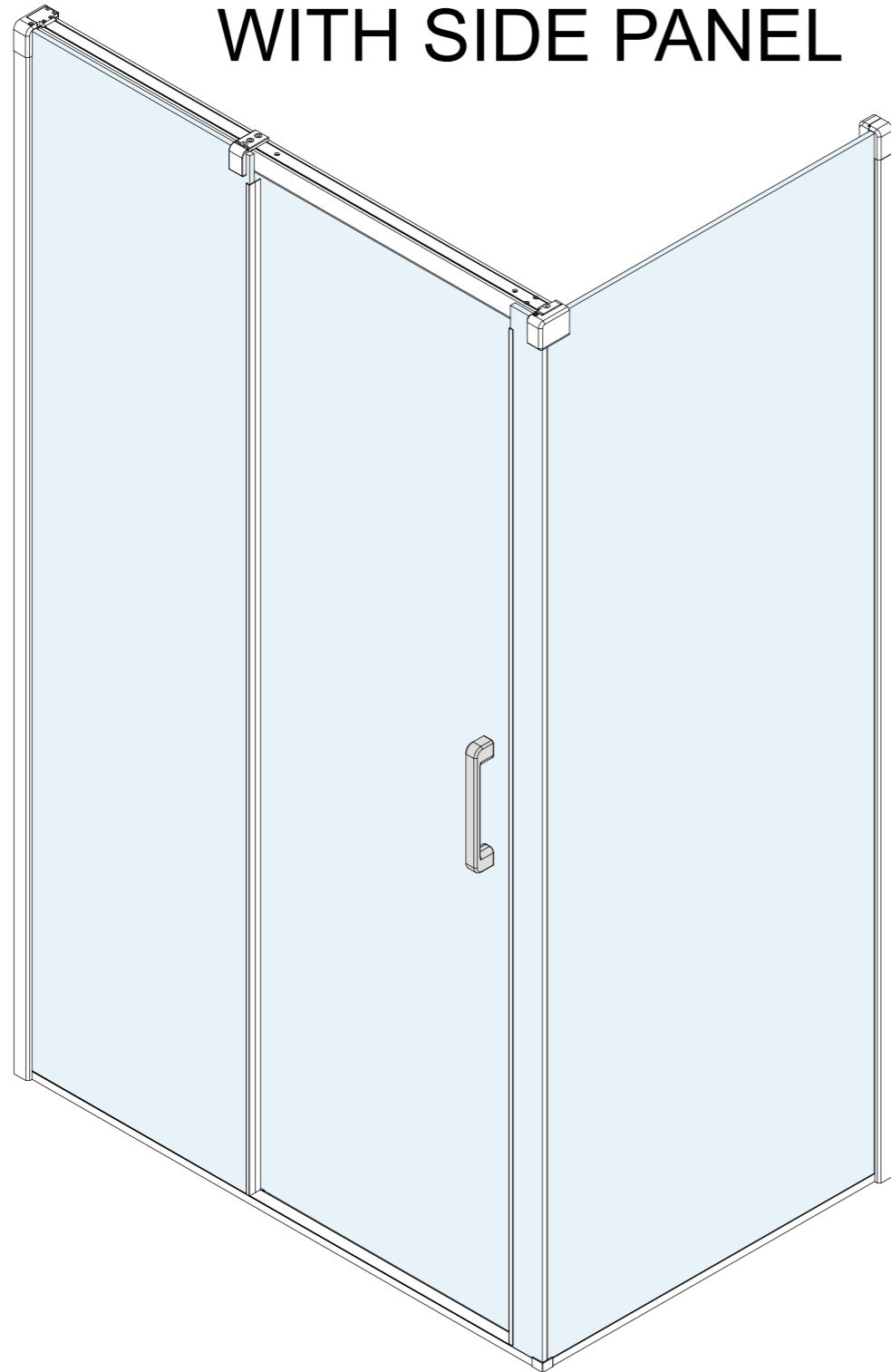


3 PANEL SLIDING DOOR WITH SIDE PANEL



INSTALLATION GUIDE

IMPORTANT: Please read the complete instructions before commencing fitting.

Make sure the tray is 100% level in all directions.

Check that you have the tools required.

Check the installation site is compatible with the sizes of door supplied.

Check all the enclosure components are present.

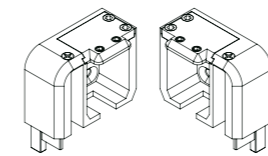
Check the installation kit is complete.

Do Not attempt to install the product unless you can tick all 4 boxes.

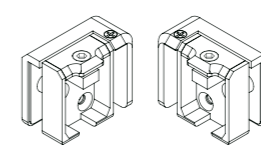
The wall plugs supplied with the installation kit are for use in solid walls. Hollow or 'stud partition' walls will require alternative fixings. Please consult a hardware supplier for the correct type. It may also be necessary to consult your tiling supplier about the correct method for drilling your tiles.

ATTENTION: TAKE EXTREME CARE WHEN HANDLING GLASS, WEAR PROTECTIVE EYEWEAR AND CLOTHING. DO NOT LEAVE THE GLASS ON HARD SURFACES AND AVOID CONTACT BETWEEN THE GLASS EDGES AND HARD SURFACES OR IMPACTS DURING THE INSTALLATION.

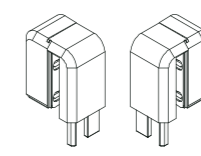
Fixing kit components



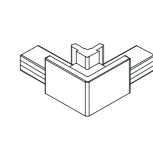
SP0GMS0711



SP0GMS0726



SP0GMS0762

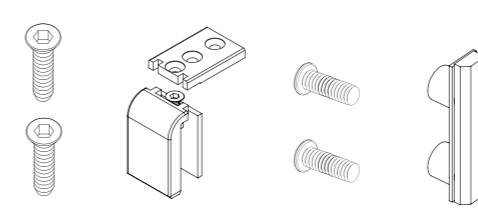


SP0GMS0776

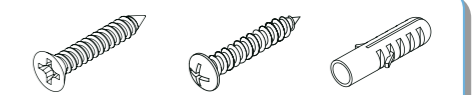
Note: Only one of each supplied as product is handed left or right.



Handle



SP0GMS0745 SP0GMS0739 SP0GMS0769 SP0GMS0768

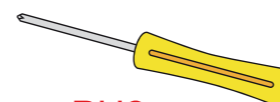
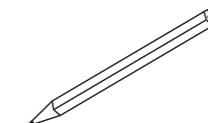


SP0GMS0847 SP0GMS0848 SP0GMS0849

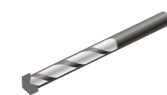
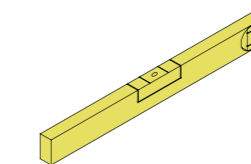


SP0GMS0850 SP0GMS0852 SP0GMS0851

Tools required

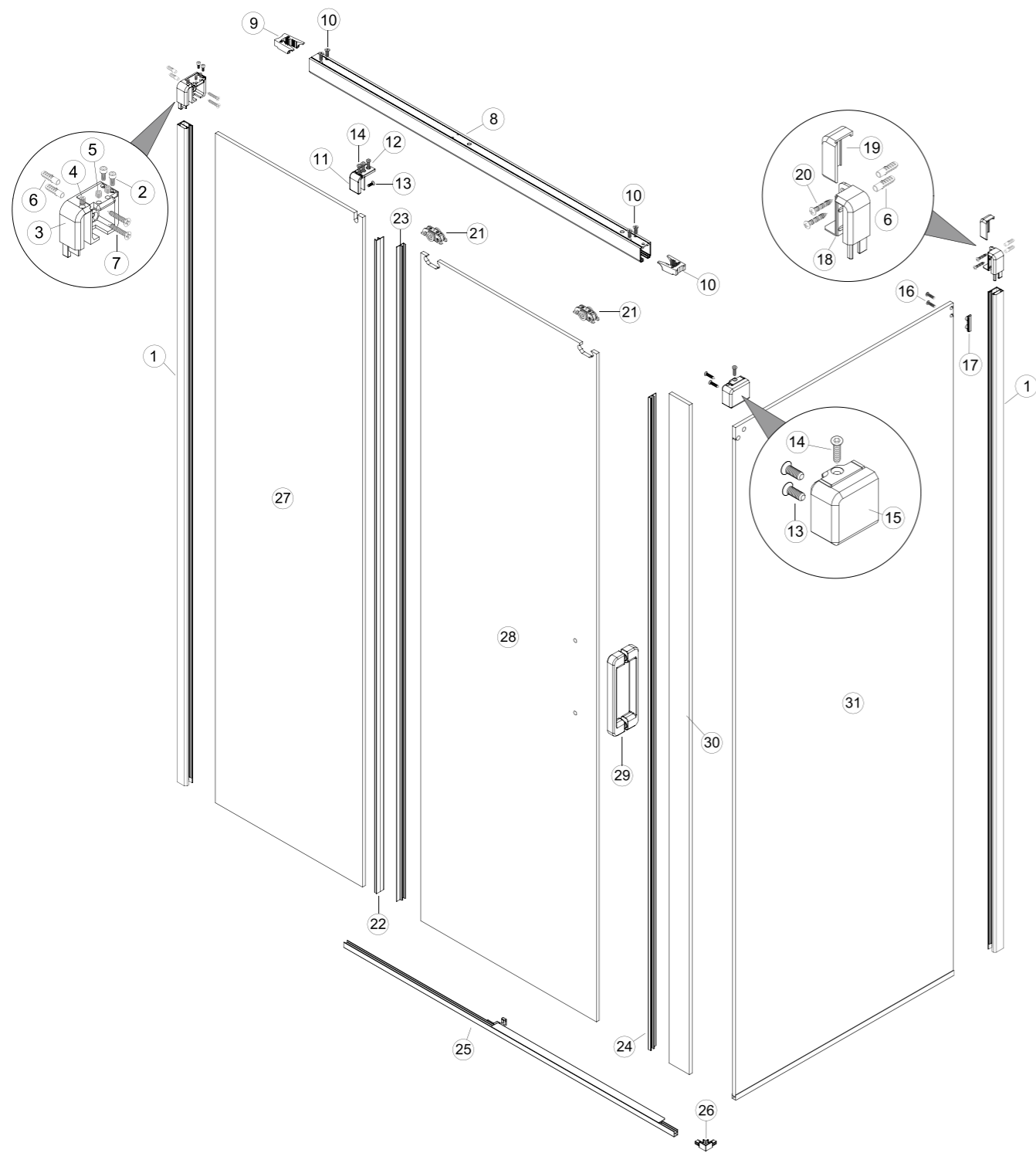


PH2

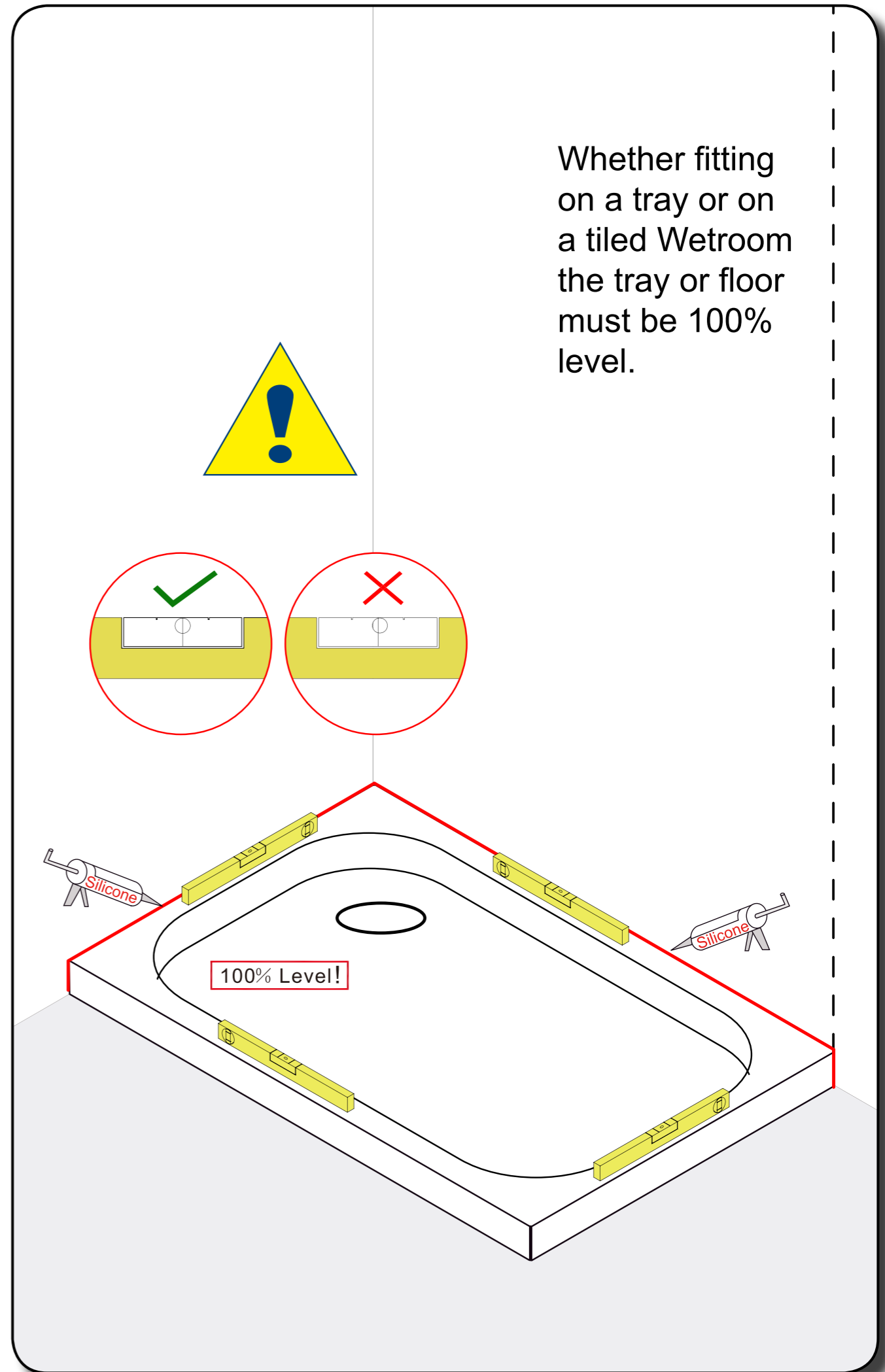


Ø8





No.	QTY	descriptions	Part No.	No.	QTY	descriptions	Part No.	No.	QTY	descriptions	Part No.
1	1	Wall profile	SP0GMS0680	13	3	M5x12 screw	SP0GMS0846	25	1	Threshold	B
2	2	Bracket fixing screws M4x10	SP0GMS0719	14	2	M5x14 screw	SP0GMS0738	26	1	Threshold corner bracket	SP0GMS0776
3	1	Fixed panel wall bracket	SP0GMS0711	15	1	corner bracket	SP0GMS0726	27	1	Fixed panel	D
4	1	Plastic grub screw	SP0GMS0717	16	2	M4x12 screw	SP0GMS0769	28	1	Moving panel	E
5	2	M6x6 grub screw	SP0GMS0718	17	1	Side panel clamp	SP0GMS0768	29	1	Handle	F
6	4	Wall plug	SP0GMS0849	18	1	side panel wall bracket	SP0GMS0762	30	1	Inline panel	G
7	2	5x40 screw	SP0GMS0847	19	1	side panel wall bracket cover cap	SP0GMS0770	31	1	Side panel	H
8	1	Top rail	A	20	2	M5x40 Pan head screw	SP0GMS0848				
9	2	Roller stop	SP0GMS0708	21	2	Roller	SP0GMS0710				
10	4	Roller stop screws	SP0GMS0709	22	1	Moving panel upright seal	SP0GMS0699				
11	1	Middle bracket	SP0GMS0739	23	1	fixed panel upright seal	SP0GMS0698				
12	2	M5x10 screw	SP0GMS0745	24	1	side panel closing seal	SP0GMS0844				



Whether fitting on a tray or on a tiled Wetroom the tray or floor must be 100% level.

1

1A Wall profiles are labeled Left and Right so make sure you have noted the handing. The seal should be flush on top and show a gap on the bottom.

1B Insert the bracket into the wall profile.

1C WARNING Make sure the bracket is seated correctly and there is no gap between the join of the bracket and profile.

3

3A Mark the centre of the slot.

3B Drill the centre of the slot. This is important to allow adjustment.

3C Insert the wall plugs.

2

2A Measure distance X and Y from the back wall to the front of the wall profile and ensure it is within the adjustment range of the size chosen.

2B Plumb the wall profiles.

2C Make sure the bracket is seated correctly showing no gap between the join of the wall profile. Make sure the top bracket is level. Mark the wall through the slots in the wall bracket.

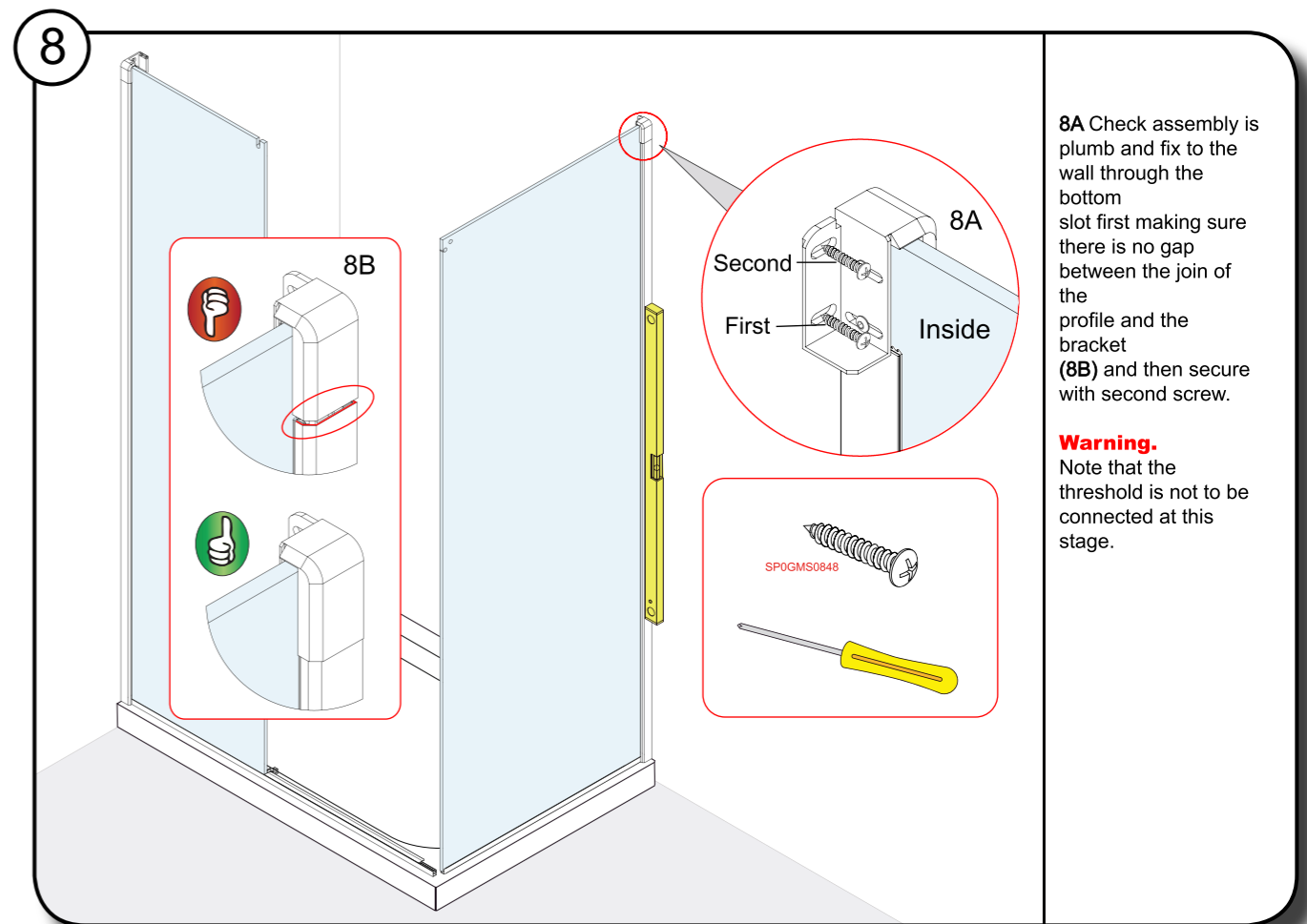
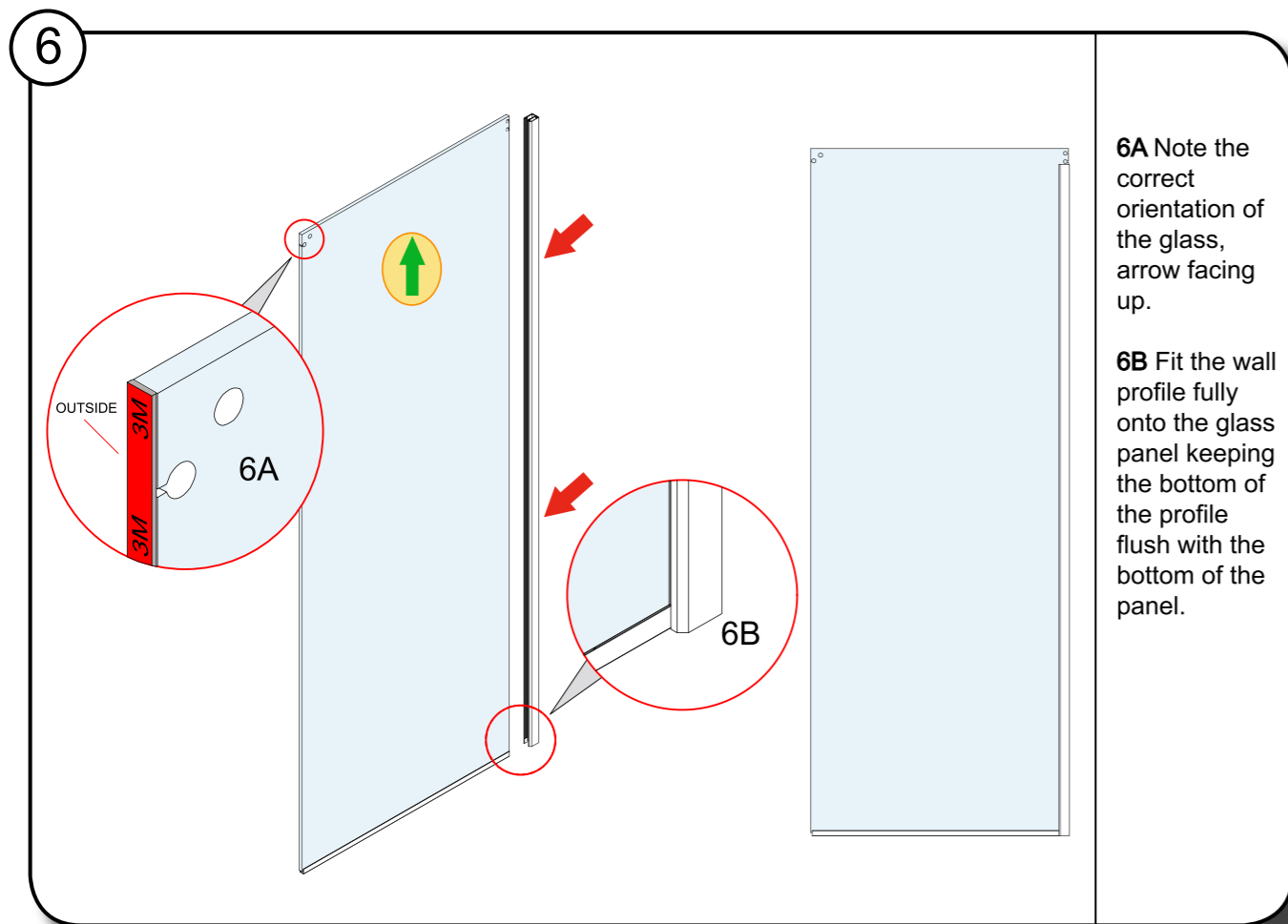
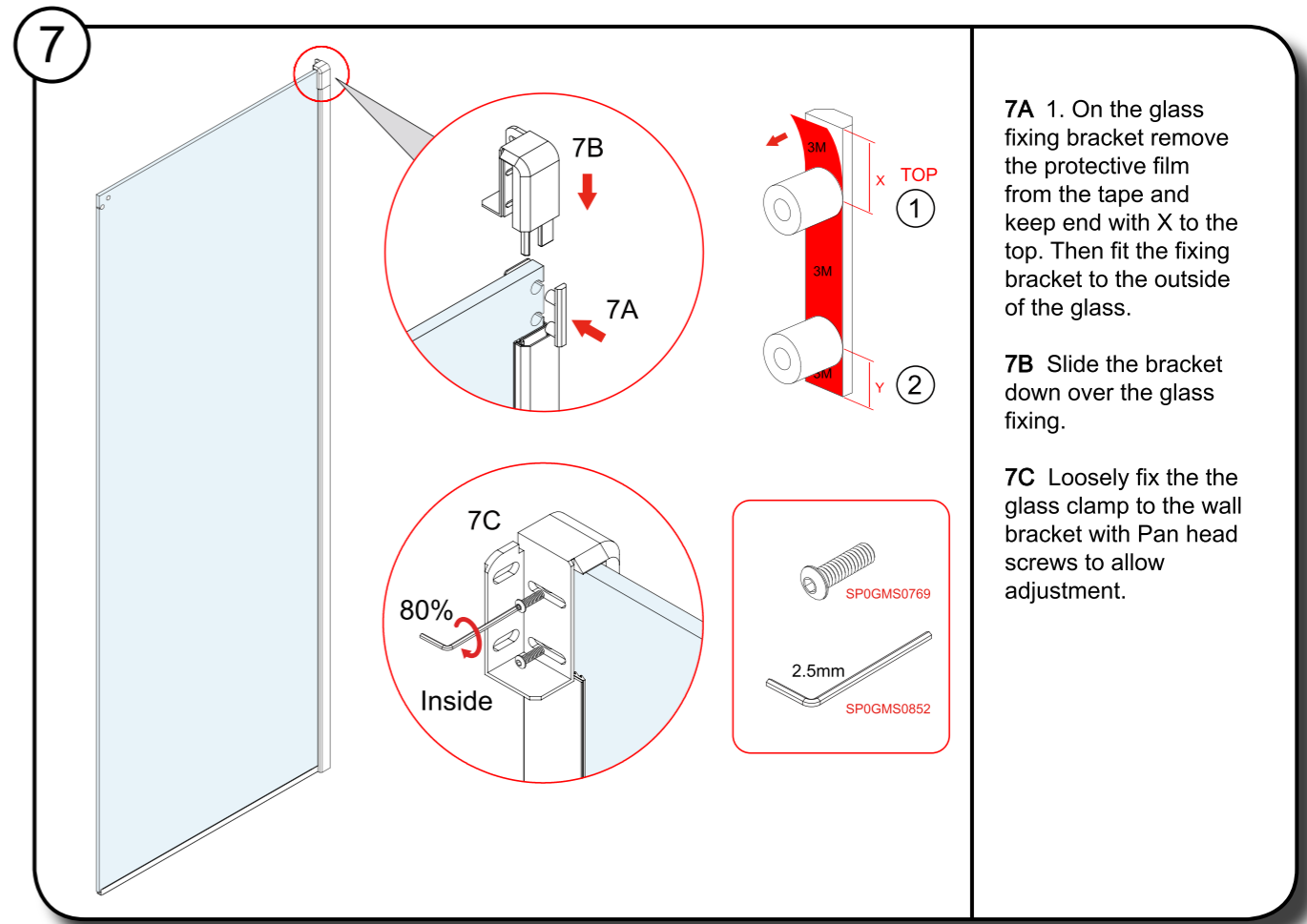
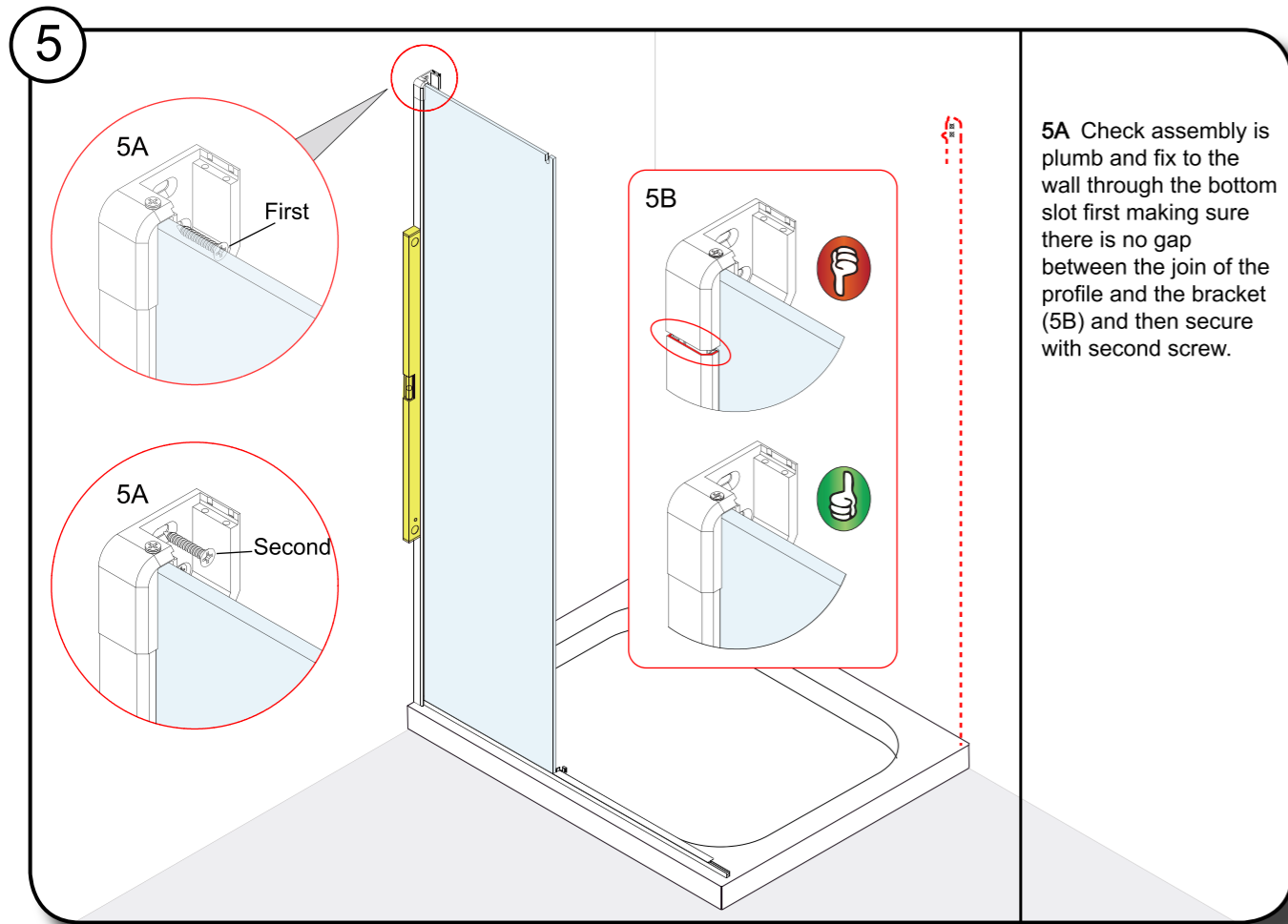
Size	X	Y	Size	X	Y
700	670-685		1450		1418-1433
760	730-745		1475		1443-1458
800	770-785		1500		1468-1483
900	870-885		1525		1493-1508
1000	970-985		1550		1518-1533
1200		1168-1183	1575		1543-1558
1225		1193-1208	1600		1568-1583
1250		1218-1233	1625		1593-1608
1275		1243-1258	1650		1618-1633
1300		1268-1283	1675		1643-1658
1325		1293-1308	1700		1668-1683
1350		1318-1333	1725		1693-1708
1375		1343-1358	1750		1718-1733
1400		1368-1383	1775		1743-1758
1425		1393-1408	1800		1768-1783

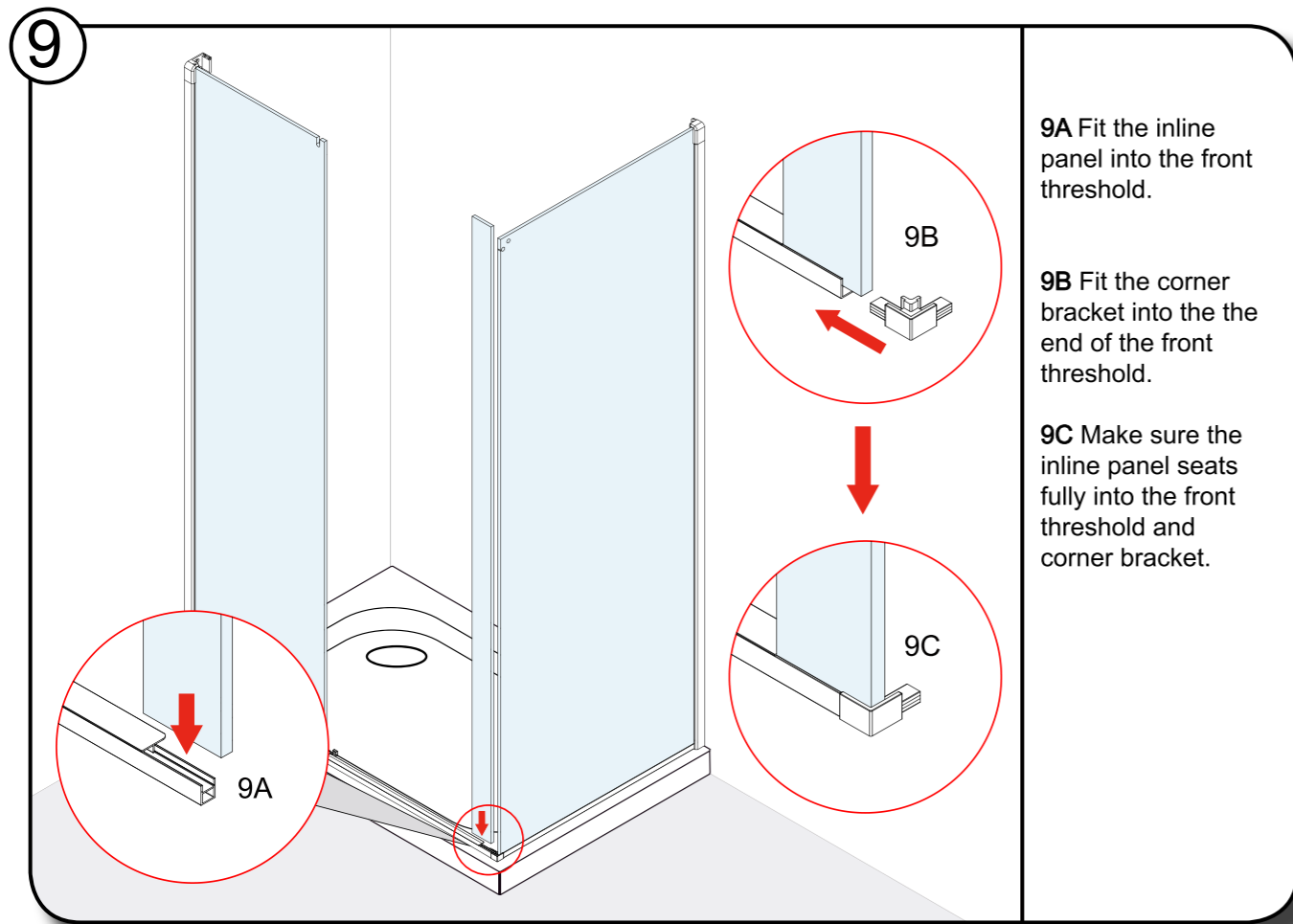
NOTE! If fitting optional LED profile the fitting procedure is different and you must follow the steps in the LED installation Guide.

4

4A Fit the fixed panel into the threshold. Make sure the edge of the glass is tight against the strip. Make sure the guide is facing inside.

4B Fit the assembled profile and bracket to the fixed panel. Ensure the wall profile is seated fully at the base.

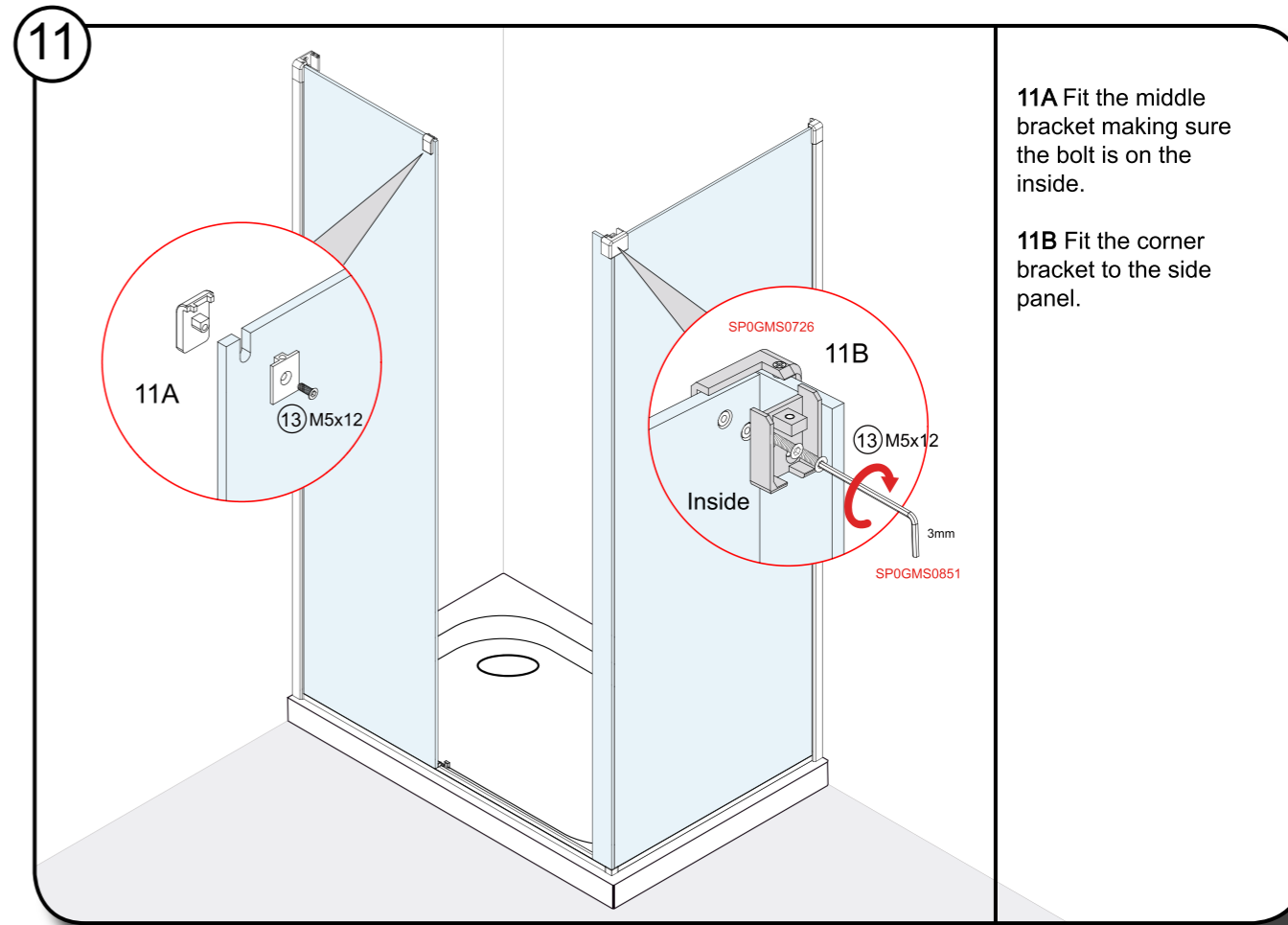




9A Fit the inline panel into the front threshold.

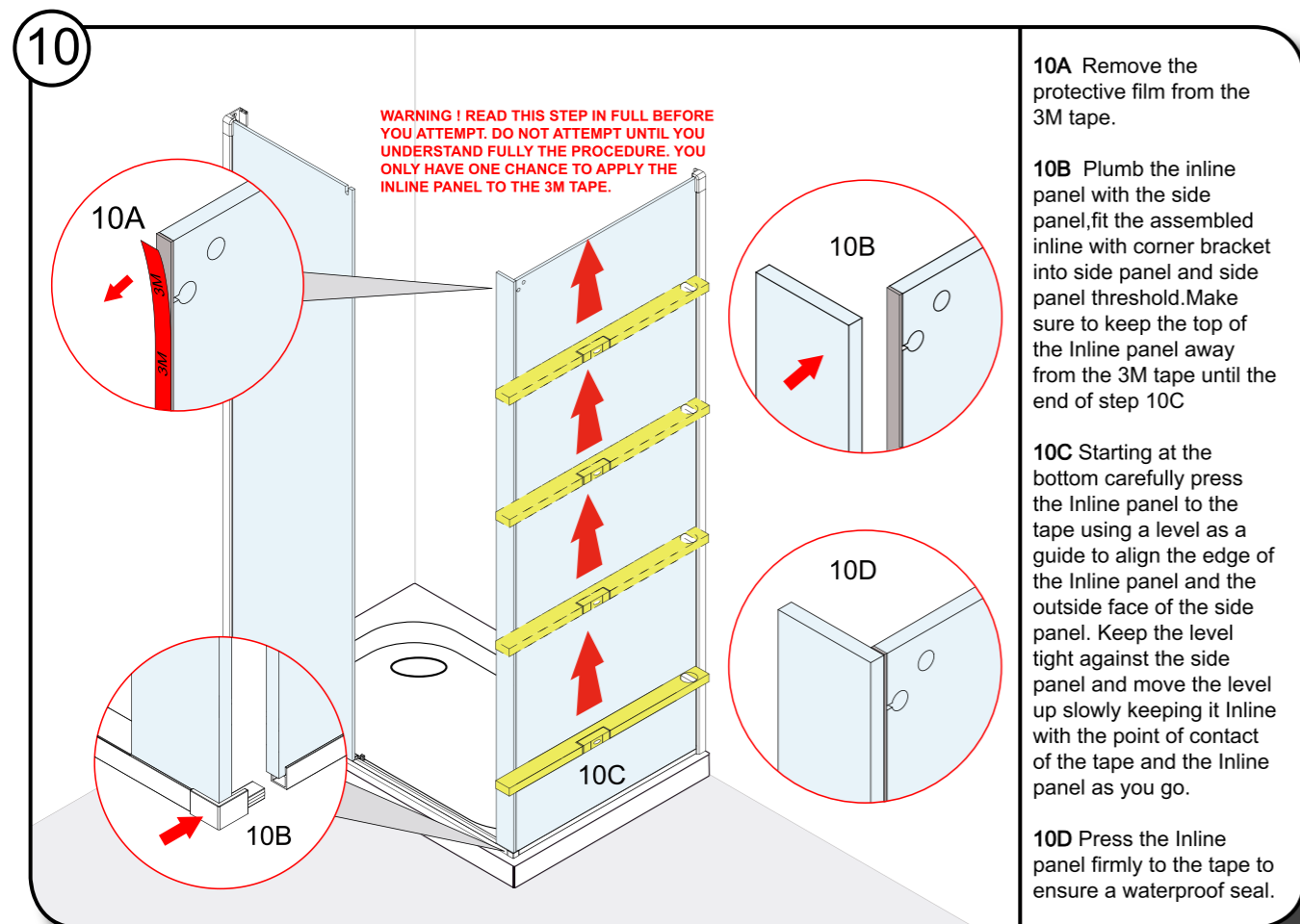
9B Fit the corner bracket into the the end of the front threshold.

9C Make sure the inline panel seats fully into the front threshold and corner bracket.



11A Fit the middle bracket making sure the bolt is on the inside.

11B Fit the corner bracket to the side panel.



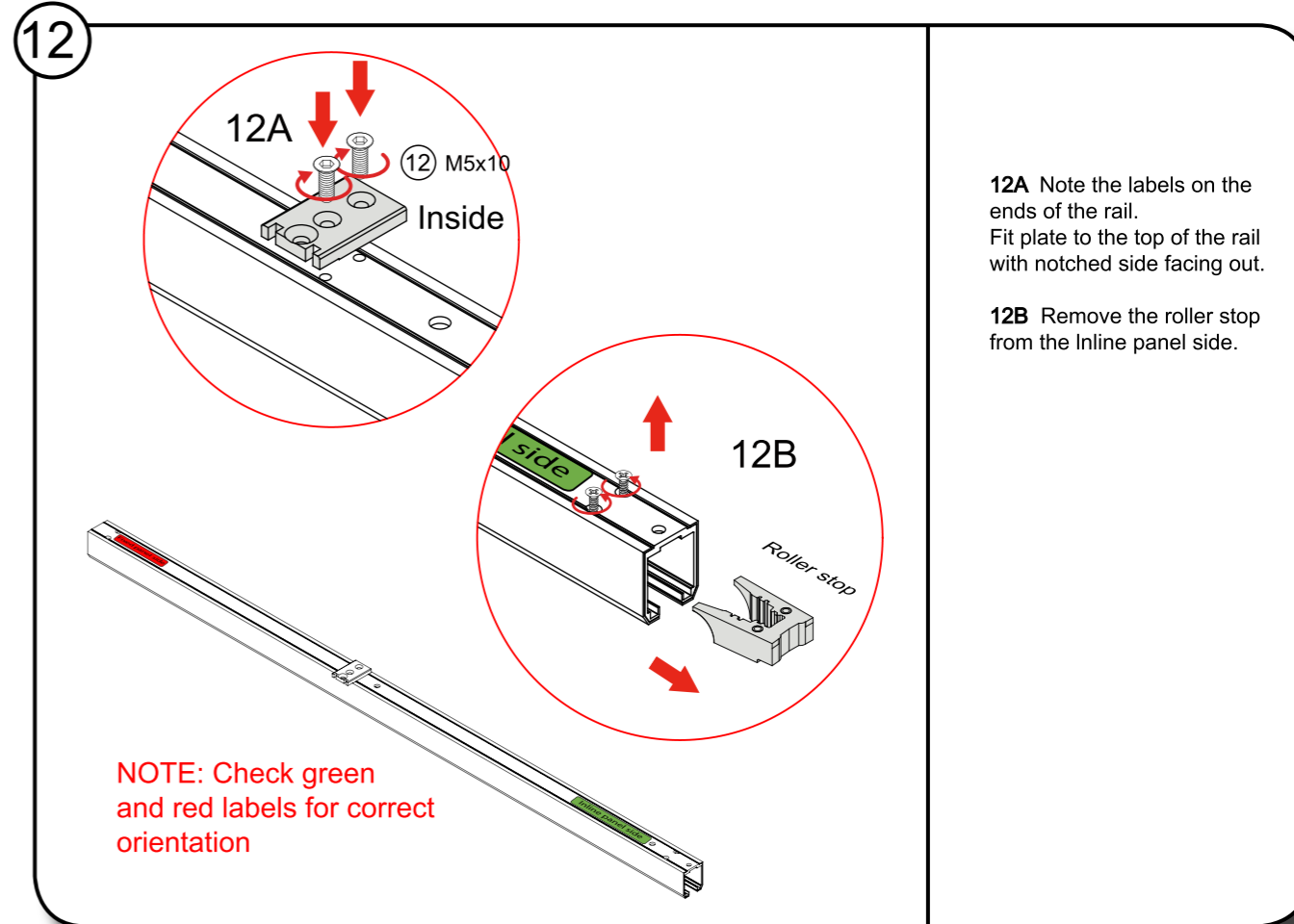
WARNING! READ THIS STEP IN FULL BEFORE YOU ATTEMPT. DO NOT ATTEMPT UNTIL YOU UNDERSTAND FULLY THE PROCEDURE. YOU ONLY HAVE ONE CHANCE TO APPLY THE INLINE PANEL TO THE 3M TAPE.

10A Remove the protective film from the 3M tape.

10B Plumb the inline panel with the side panel, fit the assembled inline with corner bracket into side panel and side panel threshold. Make sure to keep the top of the Inline panel away from the 3M tape until the end of step 10C

10C Starting at the bottom carefully press the Inline panel to the tape using a level as a guide to align the edge of the Inline panel and the outside face of the side panel. Keep the level tight against the side panel and move the level up slowly keeping it Inline with the point of contact of the tape and the Inline panel as you go.

10D Press the Inline panel firmly to the tape to ensure a waterproof seal.

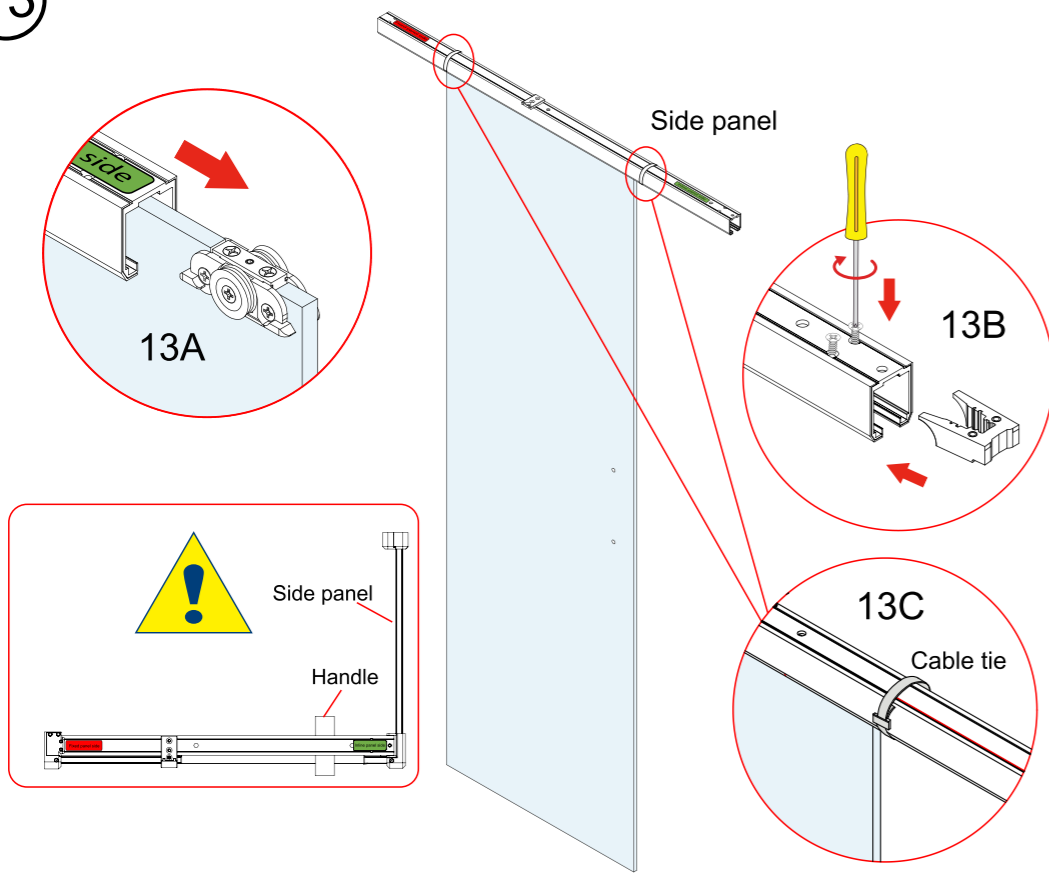


12A Note the labels on the ends of the rail. Fit plate to the top of the rail with notched side facing out.

12B Remove the roller stop from the Inline panel side.

NOTE: Check green and red labels for correct orientation

13

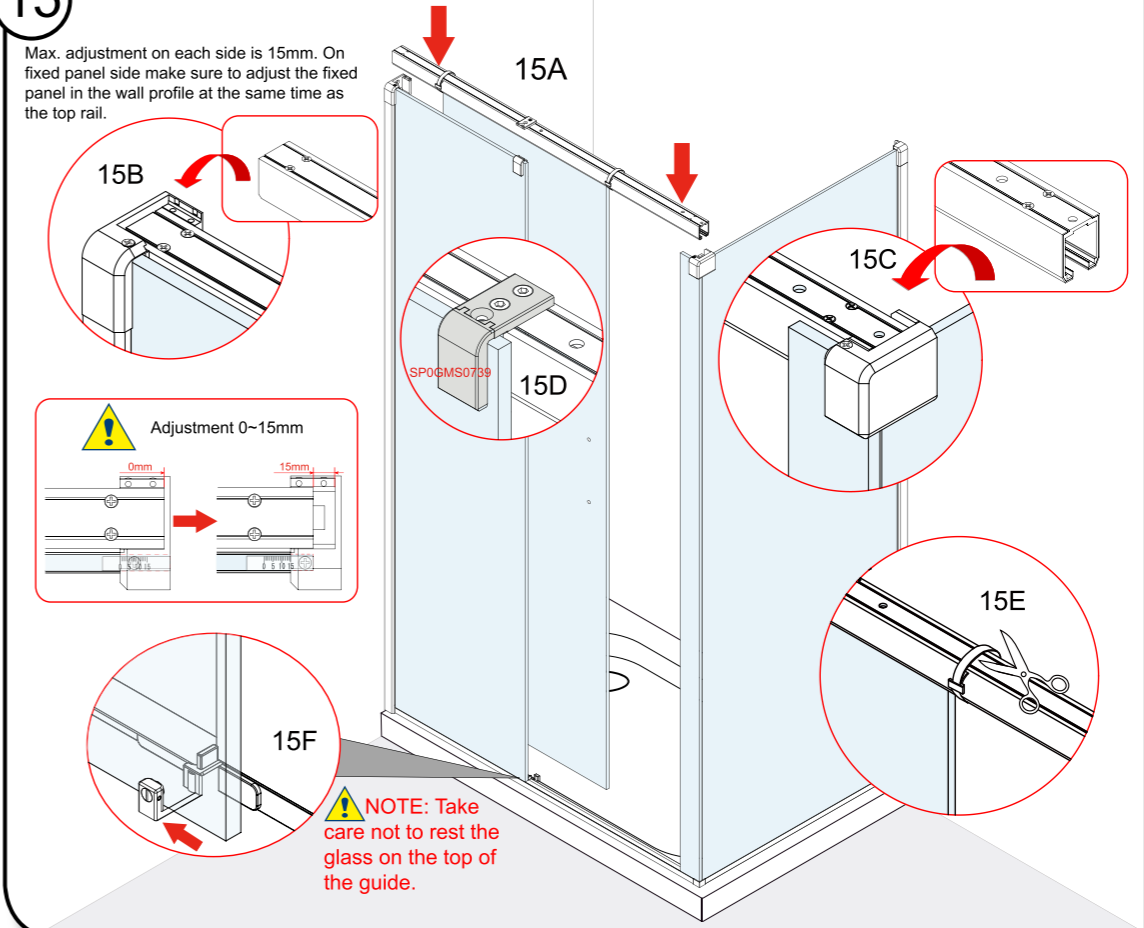


13A Slide the 'Inline panel' end of the top rail onto the moving panel. Note : make sure the holes in the glass for the handle are on the 'Inline panel' side.

13B Fit the roller stop.

13C Slide the top track to the centre of the glass and secure the rail with the cable ties. This will prevent the rail moving when lifting into place.

15



Max. adjustment on each side is 15mm. On fixed panel side make sure to adjust the fixed panel in the wall profile at the same time as the top rail.

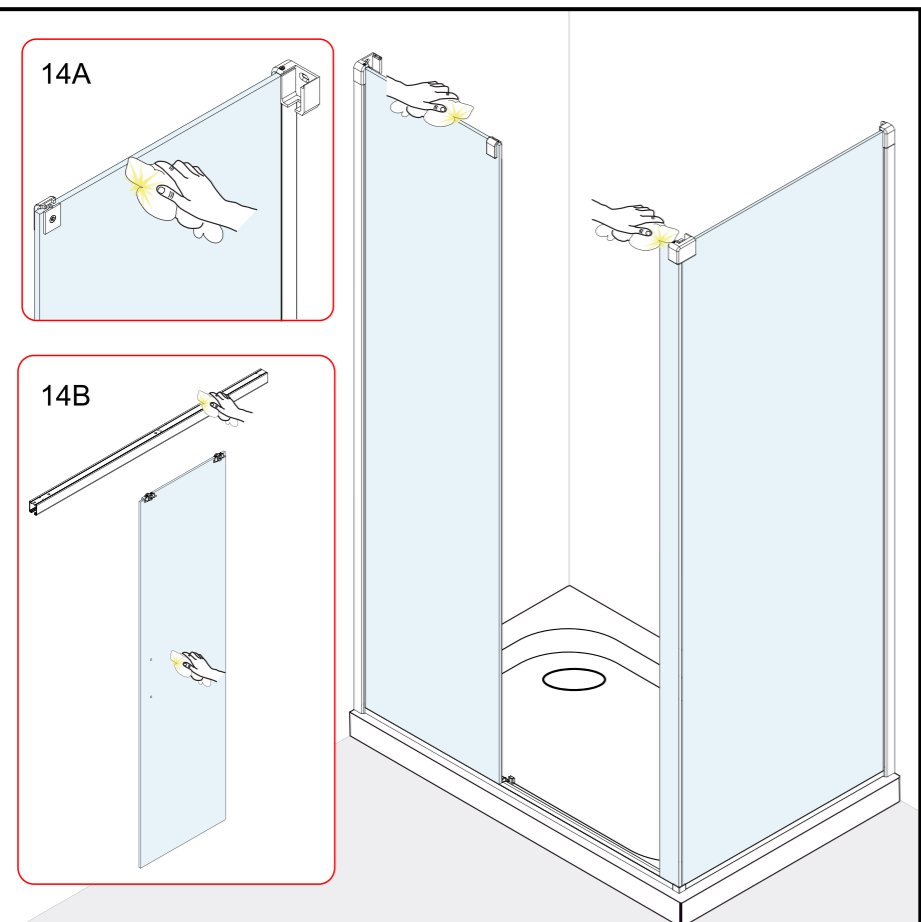
15A Lift the moving panel and top rail into the brackets **15B & 15C**. Make sure both parts of the middle bracket **15D** are aligned to allow the rail to drop into position. Keep the bottom of the moving panel out from the guide.

15E Remove the cable ties.

15F When door is fitted move door to the closed position and slide guide over the back edge of the moving panel.

NOTE: Take care not to rest the glass on the top of the guide.

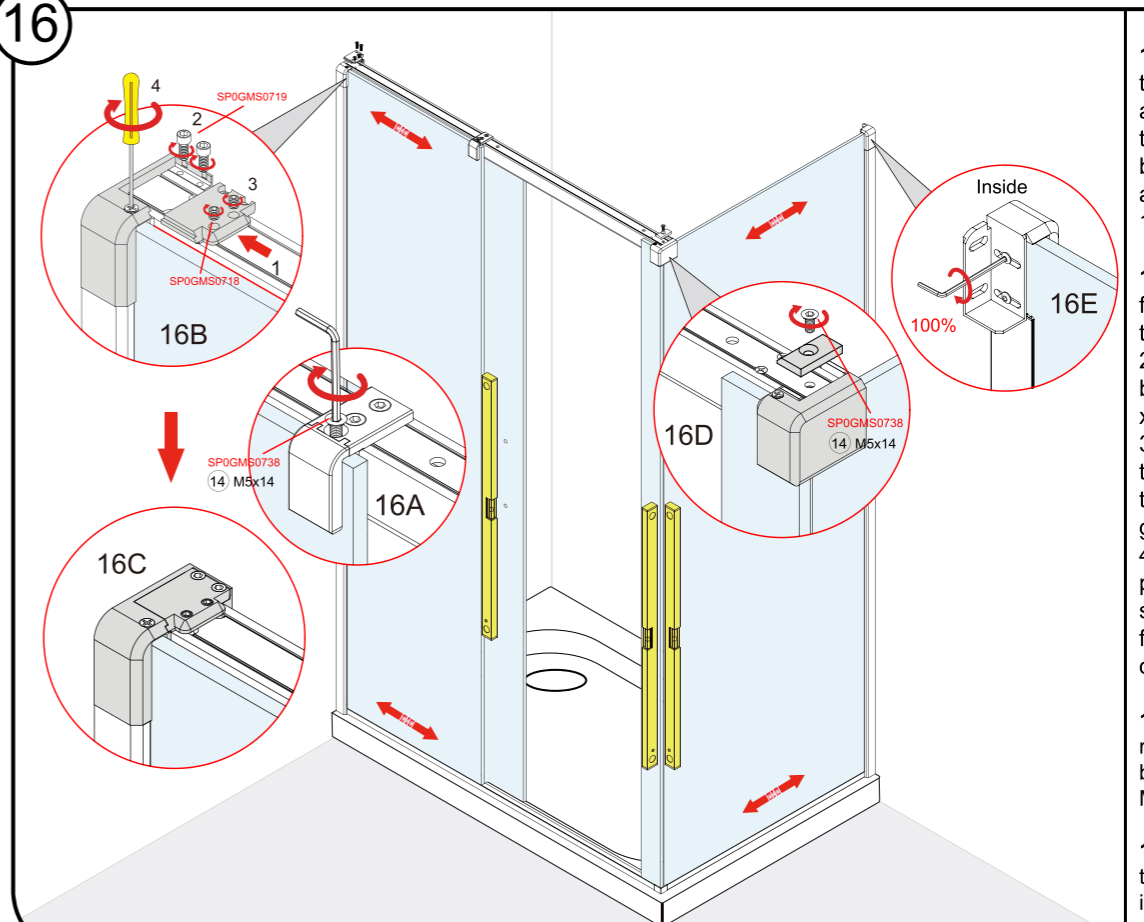
14



14A Using micro fibre cloth provided thoroughly clean the inside of the glass around the area of the top rail.

14B The top rail also needs to be thoroughly cleaned before lifting into position.

16



16A Squeeze the fixed panel and rail together to align the bracket and plate and fix with M5 x 14 screw.

16B 1) Slide the fixing plates into the wall bracket. 2) Secure to the bracket with M4 x 10 screws. 3) Lock the rail to the bracket by tightening the grub screws. 4) Loosely fix the plastic grub screw so it is flush with the top of the bracket.

16D Secure the rail in the rail in the corner bracket with M5x14 screw.

16E Fully tighten the glass clamping screws.

17

17A Screw the plastic grub screw until it is flush with the top of the bracket **DO NOT** tighten to the glass

17B On Inline panel bracket only remove the plastic grub screw and add dab of silicone. Fit the grub screw and only loosely tighten until it just touches the glass.

17C From the top slide the cover cap onto the wall bracket.

19 **Aligning moving panel / adjusting rollers**

The height and alignment of the door can be adjusted using the hex key provided. The moving panel must be in the closed position to access the adjusting screw through the access ports on the top of the rail. Turn clockwise to lower and anti-clockwise to raise.

The vertical alignment of the moving panel should be adjusted so there is adequate overlap with the fixed panel and the closing post.

Check the glass is touching the the plastic inserts of the guide at all times, lower the panel if necessary.

18

18A Note the top and bottom of the handle, disassemble and fit outer handle making sure to place washers on both side of the glass.

18B When fitting the inner handle make sure the grub screws are to the bottom.

18C Fit upright seals to the edge of the fixed panel and back edge of the moving panel.

18D Fixed panel seal should be tight to the threshold, moving panel seal needs to be above the bottom guide and not touching the top rail.

Note: For fixed panel two seals are provided. Use the 14mm fin where tightness is critical due to the shower head position.

20

As the fixed glass panel is adjusted in the wall profile gaps will appear between the profile and the wall, especially near the bottom.

20A Use the plastic tool provided to push the profile tight to the wall.

20B Check the fixed panel does not move and remains tight to the threshold cover strip.

21

21A Adjust the plastic screw to gently rest against the glass panel.
NOTE: This is to prevent rattling of the glass panel within the guide.
DO NOT OVER TIGHTEN! If the plastic screw is over tightened it will hinder the sliding action of the glass panel.

21B Open and close the moving glass panel to check that the door is sliding freely and movement within the guide is minimised.
NOTE: Ensure the entire guide assembly does not move with the sliding door as this is an indication that the plastic screw has been over tightened.

21C When satisfied with the plastic screw location, please ensure that the small grub screw is tightened to prevent any movement. This will keep the plastic screw in a fixed position.

22

Before sealing make sure all surfaces are clean, dry and free from any residue such as grout.

Use quality silicone sealant and applicator gun to finish the door.

INSIDE
22A On the inside seal top to bottom between the wall profile and the wall.

OUTSIDE
22B Seal along the bottom between the threshold and the tray. Seal 50mm vertically between the wall and the wall profile, and between the threshold and the wall profile.

22C Seal the all joints between the foot plates and threshold.

22D Seal between the bottom of the fixed panel seal and the cover strip.

Do not use the enclosure for 24 hours.

23

Care And Maintenance Guide

23A For cleaning the area between the top rail and the fixed glass panel use the micro fibre cloths and card provided. Using a mild detergent dampen one of the cloths and wrap it around the plastic card provided and push between the rail and the glass. Slide the cloth over and back until clean and repeat the process with the dry cloth to shine rail and glass.

23B The moving panel can be released from the bottom guide for ease of cleaning. From inside the enclosure slide the bottom guide away from the moving panel and pull the bottom of the panel towards you. Clean the area around the base of the base of the shower.
NOTE: make sure to put the moving panel back into the bottom guide when finished.

MERLYN
 Merlyn Showering
 Unit 8, Purcellsinch Industrial Park,
 Dublin Road, Kilkenny, Ireland.
 Tel: 00353 56 779 1555
 Fax: 00353 56 779 1576
www.merlynshowering.com

To download the Declaration of Performance (DOP) for this product please use the link below.
<https://merlynshowering.com/aftersales-support/dop-certs/>