

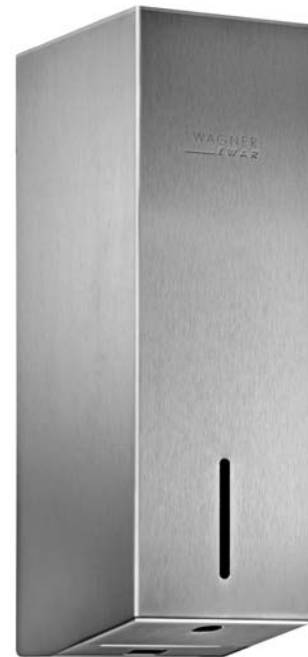
SENSOR LIQUID SOAP DISPENSER WP102E



86 x 298 x 121 mm

950 ml soap bottle

- Sensor liquid soap dispenser in robust, germ-reducing and easy-care stainless steel (AISI 316L).
- All-stainless steel housing; all corners fully welded, visible surfaces satin finished and brushed. Further available surfaces: see below.
- With EWAR® eModule touch-free operated and non-drip soap pump.
- Designed for standard 950 ml disposable bottles of liquid soap or hand lotion.
- Inspection slot to indicate fill level.
- Accessible for refilling through lockable, hinged housing.
- Keyed alike cylinder lock in corrosion-resistant zinc die-casting.
- eModule battery-powered with two 1.5 V Baby/LR14 batteries. Power supply available as an option.
- Wear parts can be replaced as modules.
- Mounting: With three screws through key holes and one optional anti-theft hole in the back wall.
- Delivery includes fixing material, batteries and first fill with soap.
- Weight, including single package: 2.9 kg



Suggested text for specifications:

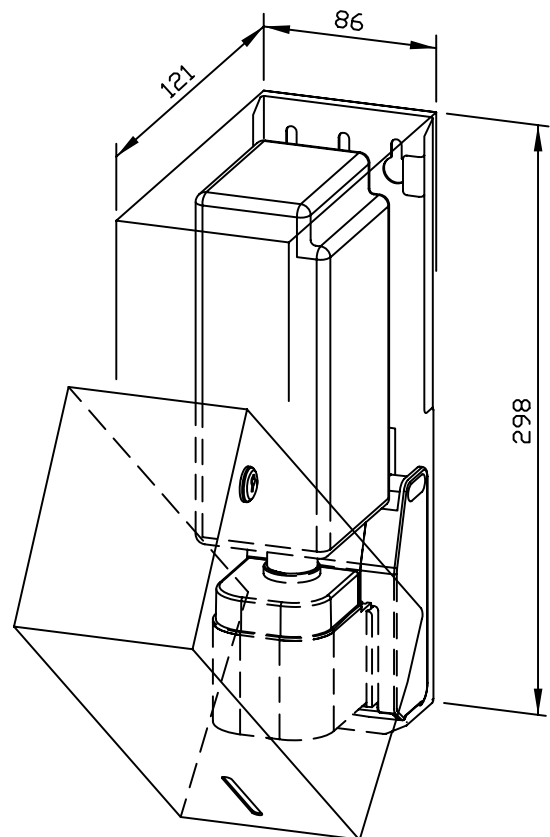
Sensor liquid soap dispenser in stainless steel (AISI 316L) for surface mounting. All-stainless steel housing; all corners fully welded, visible surfaces satin finished and brushed. With touch-free operated and non-drip soap pump. Designed for standard 950 ml disposable bottles of liquid soap or hand lotion. Inspection slot to indicate fill level. Accessible for refilling through lockable, hinged housing. Keyed alike cylinder lock in corrosion-resistant zinc die-casting. Delivery includes fixing material, batteries and first fill with soap.

Dimensions: 86 x 298 x 121 mm

Article No. WP102e

Options	ID No.
Power supply for eModule	923 060
Receptacle for WP/PP102e	923 139

Available surfaces	ID No.
satin finished (standard)	727 306
highly polished	731 306
(coloured) plastic powder-coating	728 306



Ernst Wagner GmbH & Co. KG

Ernst-Abbe-Straße 21 · D-72770 Reutlingen · Tel.: +49712151539-0 · Fax: -20
info@wagner-ewar.de · www.wagner-ewar.de

WAGNER
EWAR