



SHOWERHEAD

- 7-Spray Setting Showerhead
- Touch-Clean® Nozzles

STANDARD SPECIFICATIONS:

- Max. 1.75 gpm @ 80 psi, 6.6 L/min @ 550 kPa.
- Showerhead with seven spray settings - not a positive shut-off.
- Change spray modes with easy turn dial.
- Ball joint swivel angle is 32° (16° per side).

WARRANTY

- Lifetime limited warranty on parts (other than electronic parts and batteries) and finishes; or, for commercial users, for 5 years from the date of purchase.
- 5 year limited warranty on electronic parts (other than batteries); or for commercial users, for 1 year from the date of purchase. No warranty is provided on batteries.

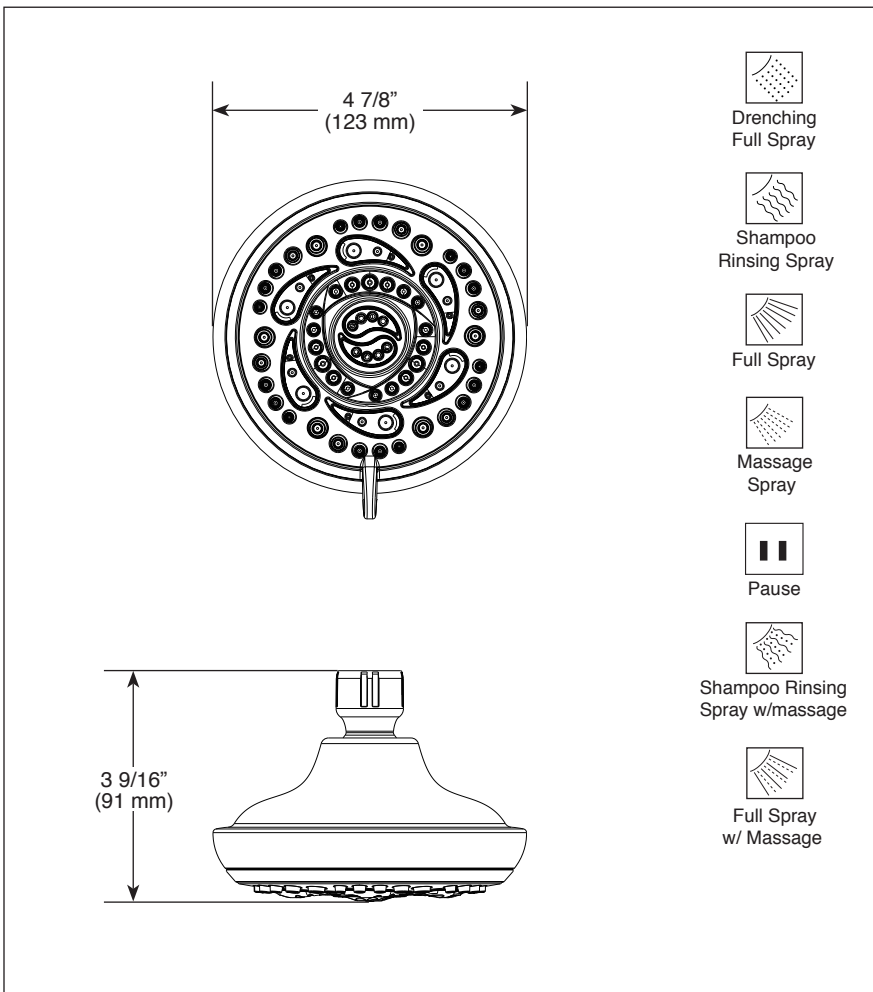


COMPLIES WITH:

- ASME A112.18.1 / CSA B125.1
- EPA WaterSense®

Submitted Model No.: _____

Specific Features: _____



▲ Designate proper finish suffix

Delta reserves the right (1) to make changes in specifications and materials, and (2) to change or discontinue models, both without notice or obligation. Dimensions are for reference only. See current full-line price book or www.deltafaucet.com for finish options and product availability.



55 E. 111th Street, Indianapolis, Indiana 46280
 350 South Edgeware Road, St. Thomas, Ontario Canada N5P 4L1
 © 2016 Masco Corporation of Indiana