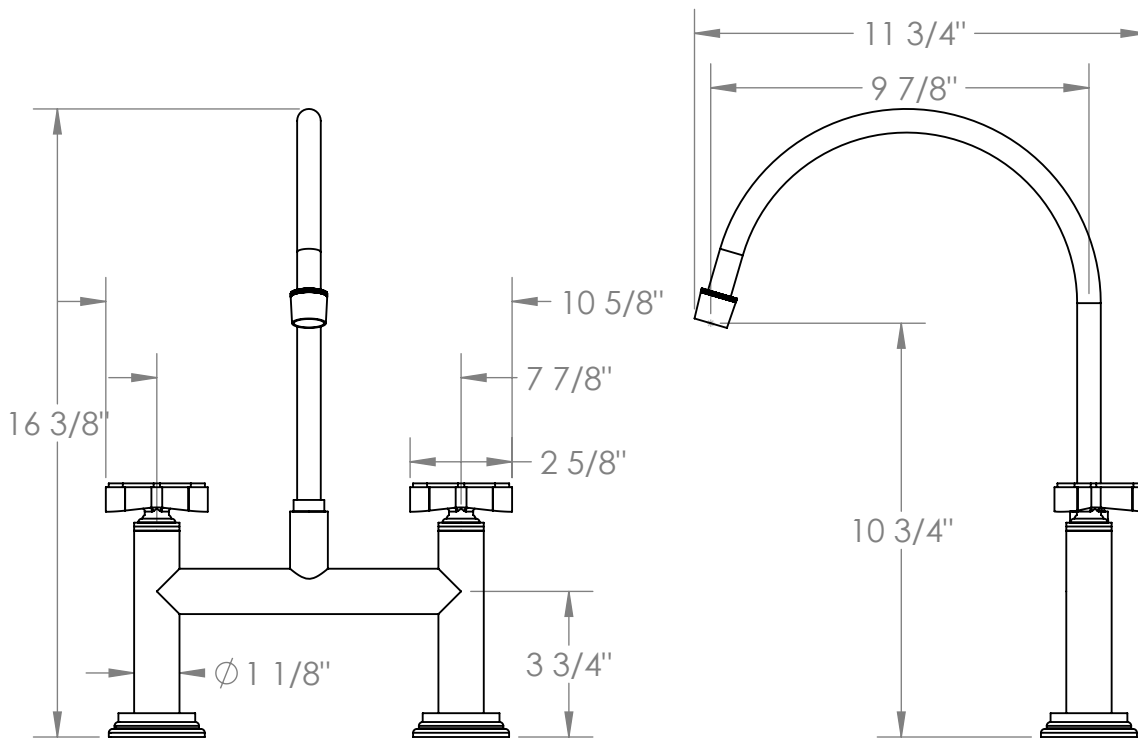


29-7.52EG-TR25

Deck Mounted Bridge Extended Gooseneck Kitchen Faucet

Flow Rate: 1.75 GPM



Meets the applicable requirements of ASME A112.18.1-2005/CSA B125.1-05, entitled "Plumbing Supply Fittings"