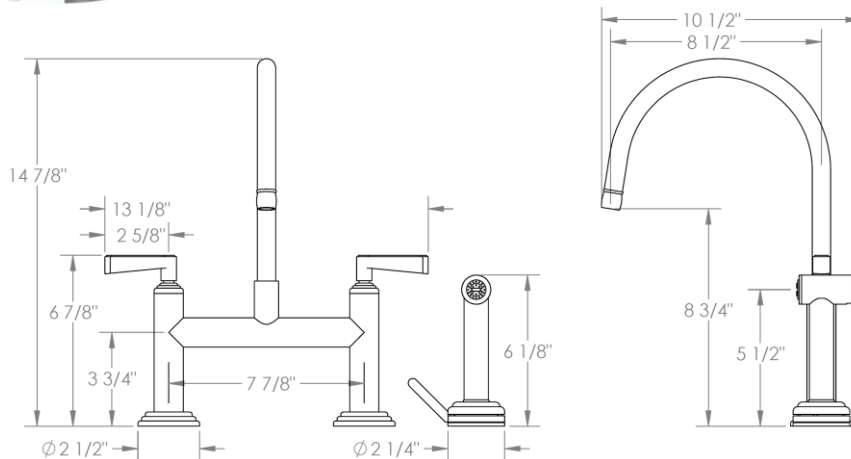


29-7.65-

Deck Mounted Bridge Kitchen Faucet with Independent Side Spray
Faucet Flow Rate: 1.75 GPM



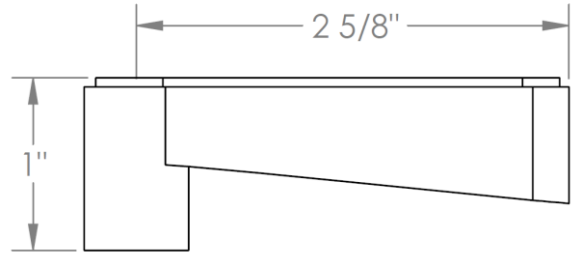
Meets the applicable requirements of ASME A112.18.1-2005/CSA B125.1-05, entitled "Plumbing Supply Fittings"

WATERMARK DESIGNS

1/30/2019

HANDLE TRIM OPTIONS

TR14 – BEEKMAN



TR15 - GOTHAM

