

Submitted Model No.: _____

Specific Features: _____



see what Delta can doSM

SHOWER HEAD

FEATURES:

- Touch-Clean[®] Nozzles

STANDARD SPECIFICATIONS

- One to four spray shower head - pause is a non-positive shut-off
- 2.5 gpm maximum at 80 psi, 9.5 L/min @ 550 kPa
- 1.75 gpm maximum at 80 psi, 6.6 L/min @ 550 kPa
- 52102-MB features metal ball joint

WARRANTY

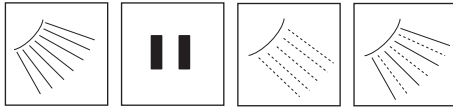
- Parts and Finish - Lifetime limited warranty; or for commercial purchasers, 10 years for multi-family residential (apartments and condominiums) and 5 years for all other commercial uses, in each case from the date of purchase.
- Electronic Parts and Batteries (if applicable) - 5 years from the date of purchase; or for commercial purchasers, 1 year from the date of purchase. No warranty is provided on batteries.



COMPLIES WITH:

- ASME A112.18.1/CSA B125.1
- ASME A112.18.3
- EPA WaterSense[®] - Applies to 52672-18-PK only

52102-▲MB 2.5 GPM Shower Head

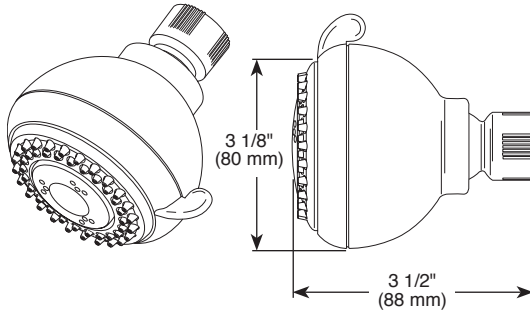


Full Body
Spray

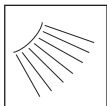
Pause

Fast
Massage

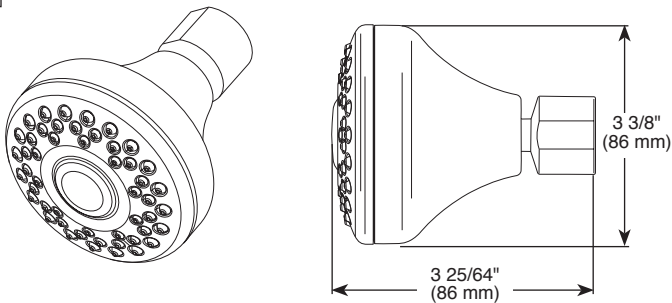
Full Spray
w/Massage



52672-▲PK 2.5 GPM Shower Head 52672-▲18-PK 1.75 GPM Shower Head



Full Body
Spray



▲ Designate proper finish suffix

Delta reserves the right (1) to make changes in specifications and materials, and (2) to change or discontinue models, both without notice or obligation. Dimensions are for reference only. See current full-line price book or www.deltafaucet.com for finish options and product availability.

Delta Faucet Company

55 E. 111th Street, Indianapolis, IN 46280
350 South Edgeware Road, St. Thomas, ON N5P 4L1
© 2018 Delta Faucet Company