

Features

- Handshower features transitional design.
- Advanced spray engine provides three spray experiences: full coverage, drenching rain, and intense massage spray.
- Full-coverage spray produces an encompassing spray for everyday use and utilizes Katalyst® air induction to create large, full drops.
- Drenching rain delivers a soothing circular water pattern.
- Intense massage spray targets sore muscles to ease away aches and pains.
- 1.5 gpm (5.7 lpm) maximum flow rate.
- Full 360-degree rotation of entire sprayface cycles through spray functions.
- Silicone sprayface is easy to clean.

Material

- KOHLER finishes resist corrosion and tarnishing.

Installation

- Bracket or slidebar required for wall-mount installation.
- Deck-mount holder required for deck-mount installation.

Water Conservation & Rebates

- This product can help a building earn Water Efficiency points in LEED® Green Building Rating System.

Required Products/Accessories

K-8593 72" Shower Hose

or

K-9514 60" Shower Hose

or

K-45981 72" ribbon hose

or

K-45982 60" ribbon hose

Recommended Products/Accessories

K-23723 Faucet cleaner



OBC

Codes/Standards

ASME A112.18.1/CSA B125.1

DOE - Energy Policy Act 1992

EPA WaterSense®

California Energy Commission (CEC)

OBC

KOHLER® Faucet Lifetime Limited Warranty

See website for detailed warranty information.

Available Colors/Finishes

Color tiles intended for reference only.

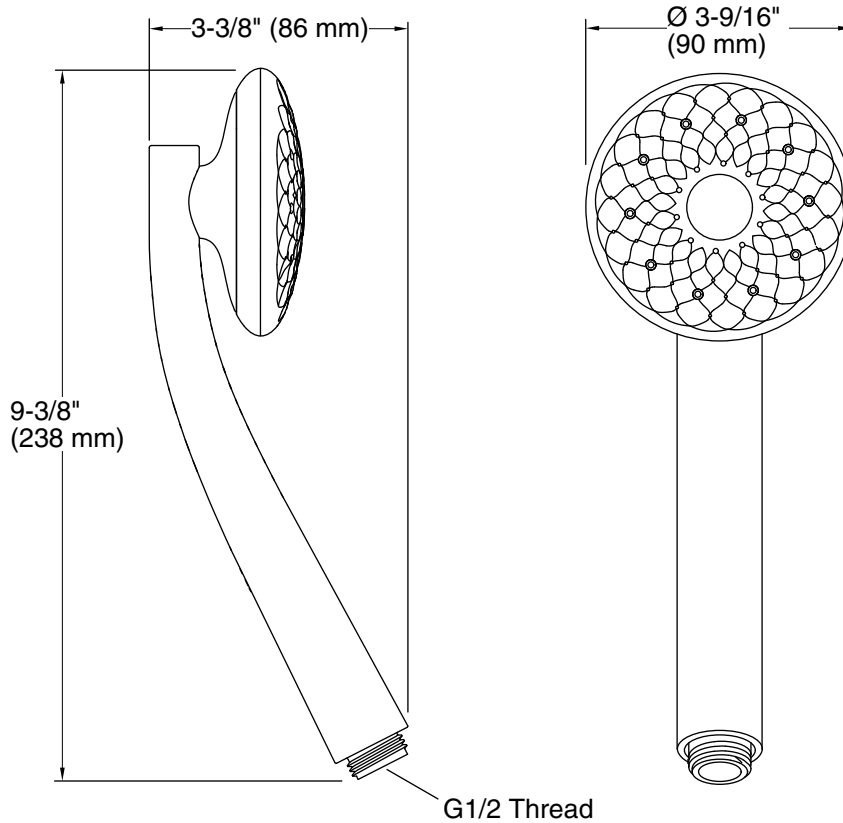
Color	Code	Description
-------	------	-------------



CP Polished Chrome



BN Vibrant® Brushed Nickel



Technical Information

All product dimensions are nominal.

Handshower:

Rated maximum flow: 1.5 gal/min (5.7 l/min)

Notes

Install this product according to the installation guide.

Plumbing codes require approved backflow prevention devices to be installed in-line to handshowers. Please consult with local plumbing officials.

OBC compliant when installed to the specific requirements of these regulations.