

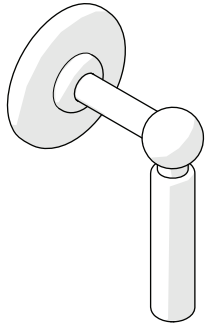
INSTALLATION GUIDELINES

STYLE No. LDVCSE

Ludlow Shinola Edition Volume Control Valve Trim

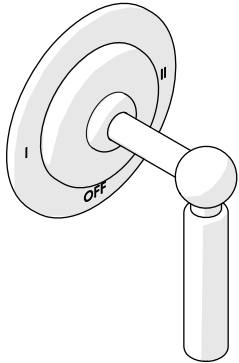
STYLE No. LD2TSE, LD3TSE

Ludlow Shinola Edition Diverter Valve Trim for Thermostatic with Roman Numerals



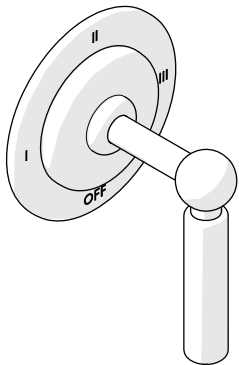
STYLE No. LDVCSE

Ludlow Shinola Edition Volume Control Valve Trim with Two-Tone Lever Handle



STYLE No. LD2TSE

Ludlow Shinola Edition Two Way Diverter Valve Trim for Thermostatic with Roman Numerals and Two-Tone Lever Handle



STYLE No. LD3TSE

Ludlow Shinola Edition Three Way Diverter Valve Trim for Thermostatic with Roman Numerals and Two-Tone Lever Handle

IMPORTANT:

- To ensure this product is installed properly, you must read and follow these guidelines.
- The owner/user of this product must keep this information for future reference.
- This product must be installed by a professional licensed contractor and must be onsite prior to rough-in, this allows the installer to visualize the installation.
- This product is intended to work with either a Universal Diverter Valve for Thermostatic Shower Systems or Universal Volume Control Valve (SOLD SEPARATELY). Refer to the Installation Guidelines provided with the VALVE for complete rough-in installation details.
- Wall valves control on/off/volume and must be installed for each fitting that will have water flowing to it. If using a wall valve with the Universal 1/2" Thermostatic Valve (Style No. GUTH56) refer to the Installation Guidelines for the Thermostatic Valve which contains related installation information. All VALVES and TRIMS sold separately.
- Be sure your installation conforms to federal state, and local codes. In the State of Massachusetts, all installations must comply with the rules and regulations set forth within 248 CMR.
- Inspect this product to ensure you have all the parts required for proper installation. Product is sold partially assembled but shown fully disassembled for illustrative and service purposes only.
- Use only a strap wrench or protected/smooth-jaw wrench on any finished surface.
- The use of certain plumber's putty may stain stone or tile surfaces.
- If further assistance is required, please contact Product Support at 1-800-927-2120 Monday through Friday, 8am - 6pm EST.
- Refer to the separate Service Parts Documents for available replacement parts.

REQUIRED PLUMBING DETAILS:

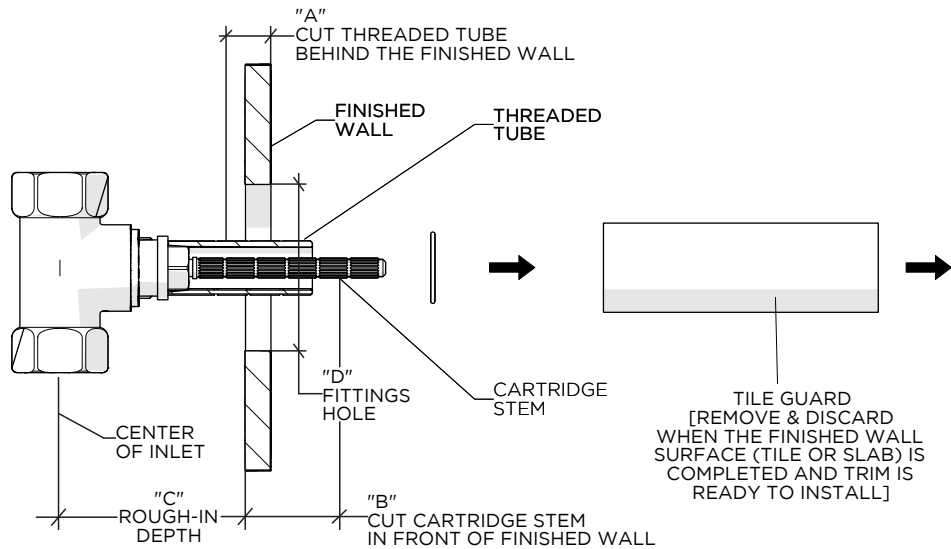
TRIM	VALVE	DESCRIPTION
LDVCSE	GUVC18	Universal 1/2" Counter-Clockwise Open Volume Control Valve
	GUVC19	Universal 1/2" Clockwise Open Volume Control Valve
LD2TSE	GUDV14	Universal Two Way Diverter Valve for Thermostatic Shower Systems
LD3TSE	GUDV66	Universal Three Way Diverter Valve for Thermostatic Shower Systems

INSTALLATION GUIDELINES

VOLUME CONTROL VALVE ROUGH-IN AND PREPARATION:

- **CAUTION:** If the VALVE is roughed-in too shallow, the TRIM cannot be installed correctly.
- **CAUTION:** Mark and remove the THREADED TUBE before cutting. Do **NOT** cut the end with the internal threads.
- **CAUTION:** Mark and remove the CARTRIDGE using a 21/32" [17mm] shower valve socket wrench before cutting.

DIMENSION	VALUE
A	1/4" [6mm]
B	3/4" [19mm]
C	2-1/2" [64mm] MIN - 5-5/8" [143mm] MAX
D	Ø1-3/8" [35mm]



[ACTUAL VALVE NOT SHOWN]

STYLE No. LDVCSE

Ludlow Shinola Edition Volume Control Valve Trim

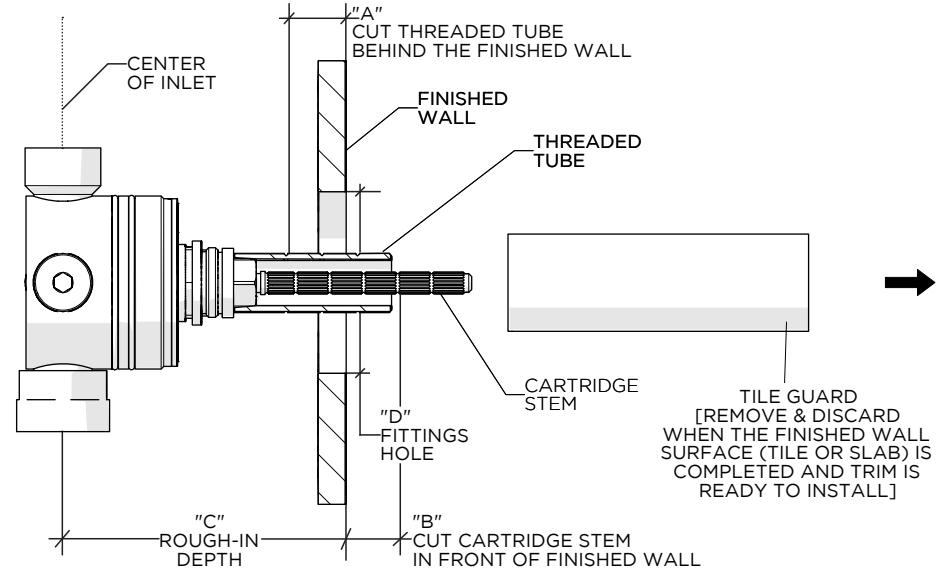
STYLE No. LD2TSE, LD3TSE

Ludlow Shinola Edition Diverter Valve Trim for Thermostatic with Roman Numerals

DIVERTER VALVE ROUGH-IN AND PREPARATION:

- **CAUTION:** If the VALVE is roughed-in too shallow, the TRIM cannot be installed correctly.
- **CAUTION:** Mark and remove the THREADED TUBE before cutting. Do **NOT** cut the end with the internal threads.
- **CAUTION:** Do **NOT** remove the CARTRIDGE.

DIMENSION	VALUE
A	1/8" [3mm]
B	7/8" [22mm]
C	3" [76mm] MIN - 5" [127mm] MAX
D	Ø2-1/2" [64mm]



[GUDV14 SHOWN]

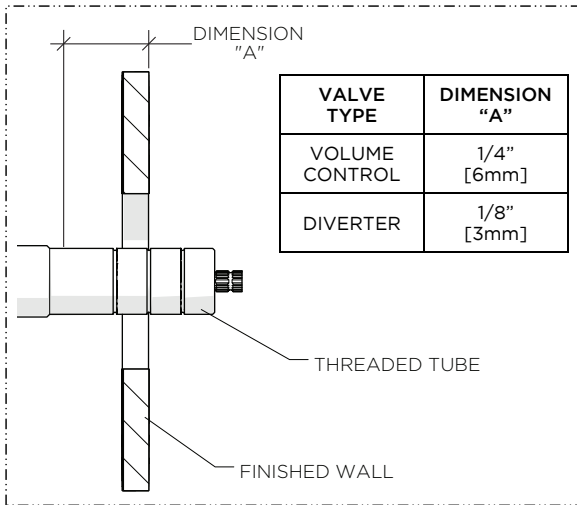
INSTALLATION GUIDELINES

STYLE No. LDVCSE

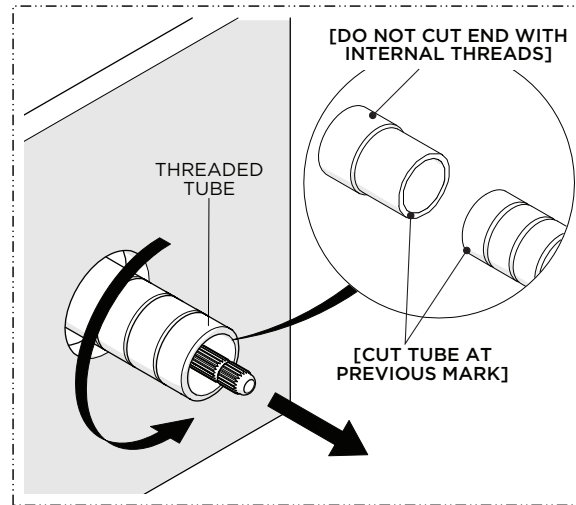
Ludlow Shinola Edition Volume Control
Valve Trim

STYLE No. LD2TSE, LD3TSE

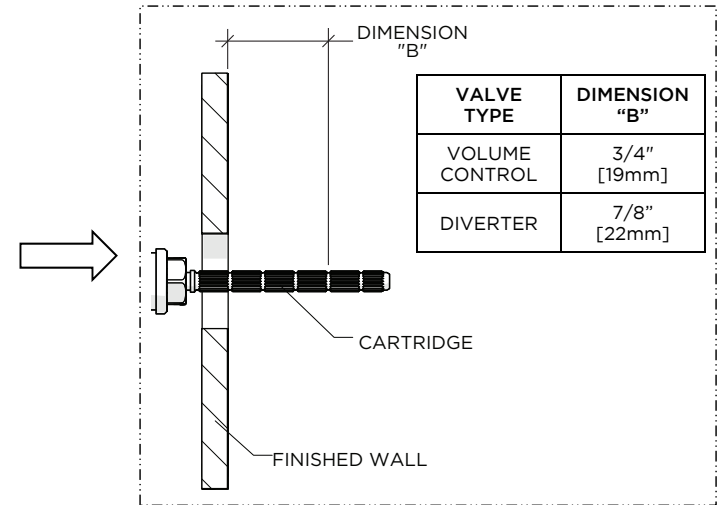
Ludlow Shinola Edition Diverter Valve
Trim for Thermostatic with Roman
Numerals



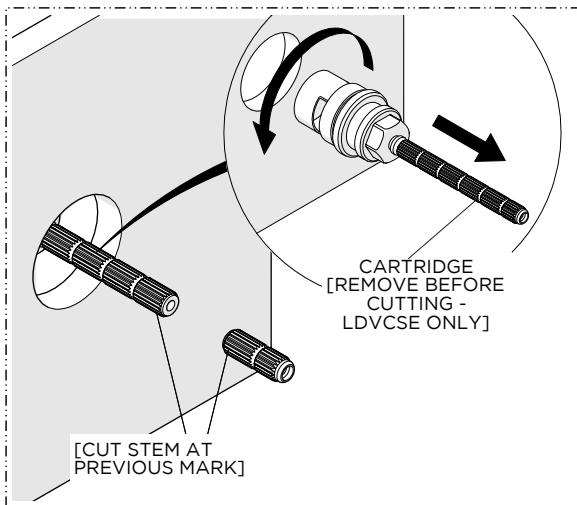
1. Remove the TILE GUARD when ready to install the TRIM then mark the THREADED TUBE behind the finished wall at the correct length listed for the VALVE being used.



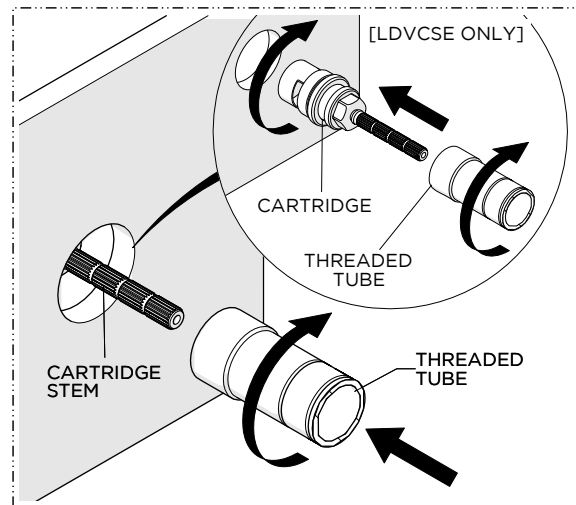
2. Remove the THREADED TUBE then cut the TUBE at the previous mark.
CAUTION: Do NOT cut the end with the internal threads.



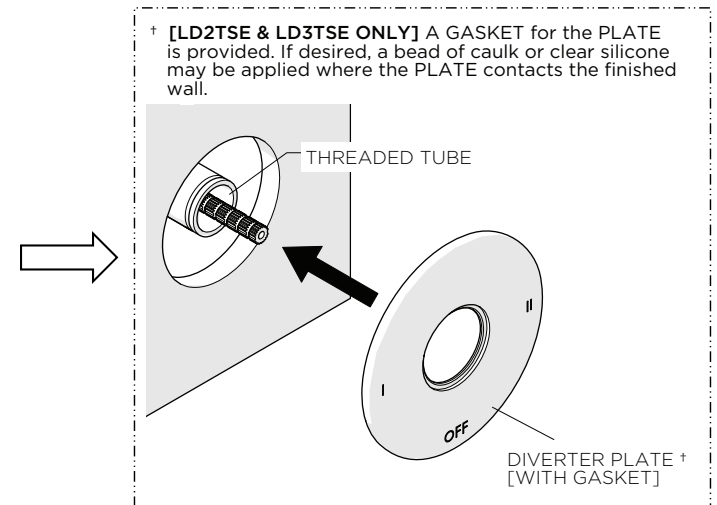
3. Mark the CARTRIDGE STEM in front of the finished wall at the correct length listed for the VALVE being used.



4. Cut the STEM at the previous mark.
NOTE (LDVCSE ONLY): Remove the CARTRIDGE using a 21/32" [17mm] shower valve socket wrench (not supplied) prior to cutting to prevent damaging the STEM.



5. Thread and securely tighten the THREADED TUBE back onto the VALVE.
NOTE (LDVCSE ONLY): Securely tighten the CARTRIDGE back into the VALVE.



6. **LD2TSE AND LD3TSE ONLY:** Slide the DIVERTER PLATE over the THREADED TUBE and hold it against the finished wall.

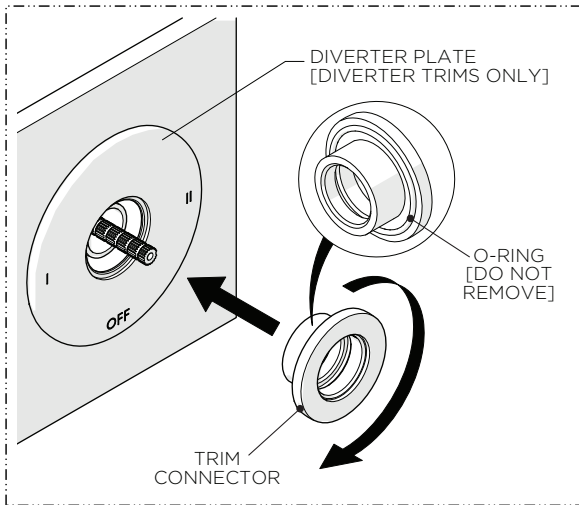
INSTALLATION GUIDELINES

STYLE No. LDVCSE

Ludlow Shinola Edition Volume Control
Valve Trim

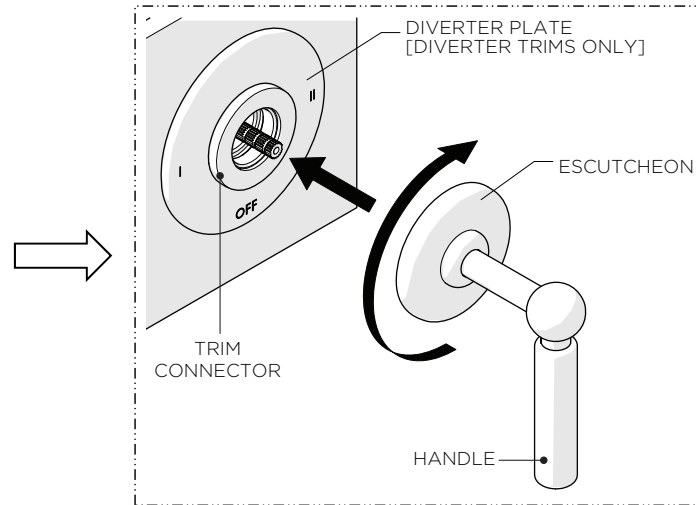
STYLE No. LD2TSE, LD3TSE

Ludlow Shinola Edition Diverter Valve
Trim for Thermostatic with Roman
Numerals

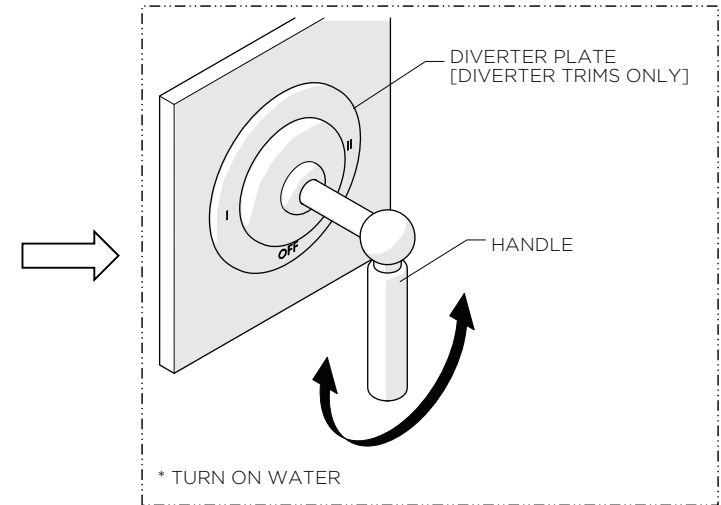


7. Ensure the O-RING is beneath the TRIM CONNECTOR then thread and securely tighten the TRIM CONNECTOR onto the THREADED TUBE.

NOTE: If being used, ensure the DIVERTER PLATE is held tight against the finished wall.



8. With the HANDLE in the desired orientation, thread and securely tighten the ESCUTCHEON into the TRIM CONNECTOR.



9. Turn on the water supply and operate the HANDLE to ensure that it is functioning properly.