

## LUDLOW

LDLS01

Ludlow Low Profile Three Hole Deck Mounted Lavatory Faucet with Metal Cross Handles



SHOWN IN LUDLOW LOW PROFILE THREE HOLE DECK MOUNTED LAVATORY FAUCET WITH METAL CROSS HANDLES|

### TECHNICAL DETAILS

ADA Compliance: Yes  
 Adjustable versus Fixed Spray: Fixed Spray  
 Deck Thickness Maximum: 1 15/16"  
 Deck Thickness Minimum: 3/8"  
 Escutcheon Primary Material: Brass  
 Fittings Hole Diameter: 1 1/4"  
 Flow Restriction Options: 1.0, 1.2, 1.5, 1.75, 2.2  
 Handle Spread Maximum: 12"  
 Handle Spread Minimum: 8"  
 Handle Turn Angle: Quarter Turn  
 Depth / Width: 7 7/16"  
 Height: 3 5/16"  
 Inlet Connection Size: 1/2"  
 Inlet Connection Type: Male with Supply Nut  
 Inlet Supply Spread Maximum: 12"  
 Inlet Supply Spread Minimum: 8"  
 Installation Type: Deck Mounted  
 Integrated Diverter: N  
 Integrated Spray: N  
 Length: 10 1/2"  
 Number of Handles: Two  
 Number of Holes: Three Hole  
 Primary Material: Brass  
 Spout Swivel: N  
 Spray Included in Unit: N  
 Suggested Application: Bath  
 Valve Material: Ceramic  
 Water Pressure Maximum: 85.0 psi  
 Water Pressure Minimum: 20.0 psi  
 Water Pressure Recommended: 45.0 psi

### INSPIRATION

A touch of classic Americana. Our fresh take on iconic industrial design has clean lines and dimensional details.

### CODES & STANDARDS

Code # LDLS01Y: Complies with ASME A112.18.1/CSA B125.1, ADA, CEC and 0.25% Weighted Average Lead Content. Certified with IAPMO, cUPC, CEC, State of MA, WRAS and WaterSense.

### PRODUCT FEATURES

Push touch USA style drain included.

This item is stocked in a Chrome, Nickel and Unlacquered Brass finishes.

Cross Handles

Flow rate regulated at 1.5 gallons per minute (gpm)

Standard flow rate is 1.2gpm (4.5 L/min) and meets State of California requirements. Also available in other flow options. Contact a sales associate for details.

### CERTIFICATIONS

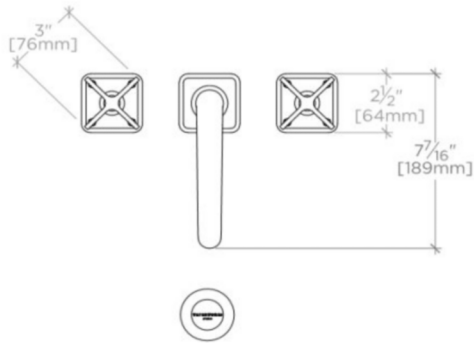


# WATERWORKS

## LUDLOW

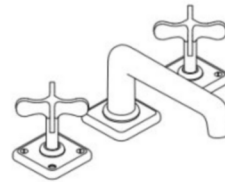
LDLS01

Ludlow Low Profile Three Hole Deck Mounted Lavatory Faucet with Metal Cross Handles



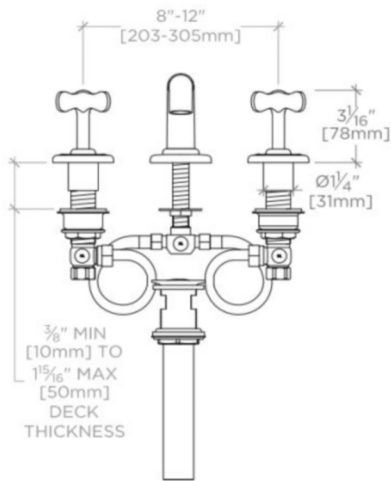
TOP VIEW

SCALE: 1/2"=1'-0"



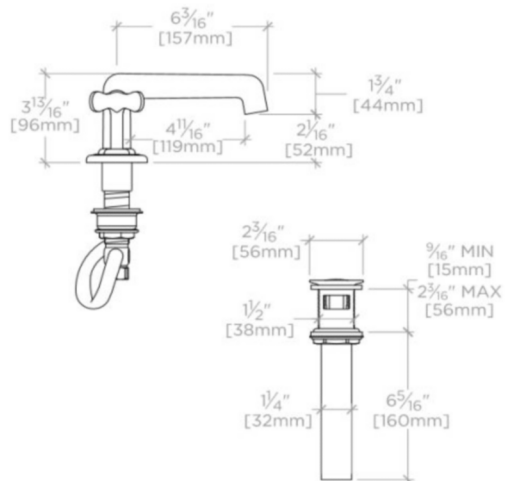
ISO VIEW

SCALE: 1/2"=1'-0"



FRONT VIEW

SCALE: 1/2"=1'-0"



SIDE VIEW

SCALE: 1/2"=1'-0"