

Submitted Model No.: \_\_\_\_\_

Specific Features: \_\_\_\_\_



see what Delta can do™

## SHOWER HEADS

■ All Metal Construction

### STANDARD SPECIFICATIONS


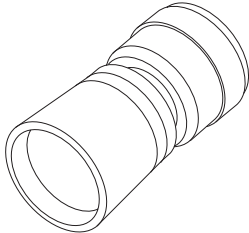
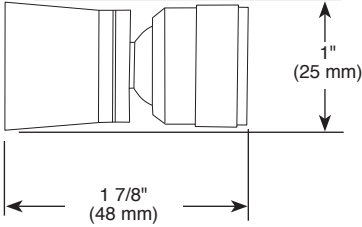


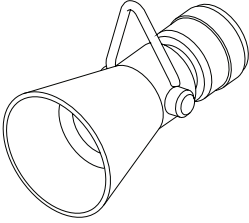
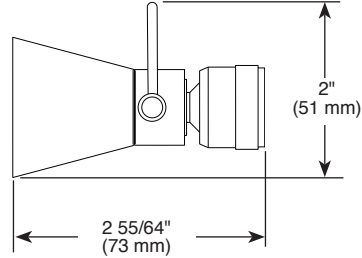


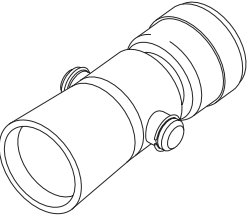
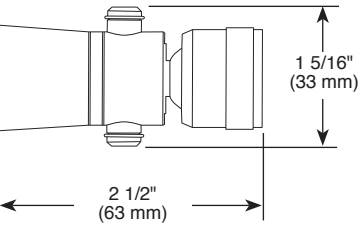

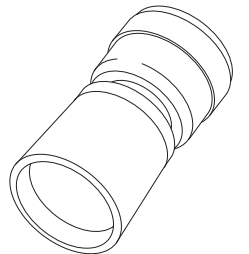
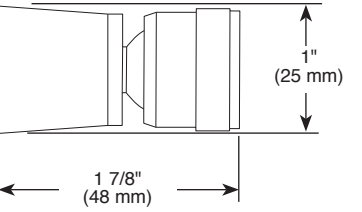
- Maximum 2.5 gpm at 80 psi, 9.5 L/min @ 550 kPa
- One to two spray shower head - pause is a non-positive shut-off
- 1 5/8" diameter spray face: 52650
- 1" diameter spray face: 52140, 52652, 52654
- Vandal resistant: 52140

### WARRANTY

- Parts and Finish - Lifetime limited warranty; or for commercial purchasers, 10 years for multi-family residential (apartments and condominiums) and 5 years for all other commercial uses, in each case from the date of purchase.
- Electronic Parts and Batteries (if applicable) - 5 years from the date of purchase; or for commercial purchasers, 1 year from the date of purchase. No warranty is provided on batteries.

### COMPLIES WITH:

- ASME A112.18.1 / CSA B125.1

<b>52140-VP-PK Shower Head</b>  Full Body Spray  
<b>52650-PK Shower Head</b>  Full Body Spray  Pause  
<b>52652-PK Shower Head</b>  Full Body Spray  Pause  
<b>52654-PK Shower Head</b>  Full Body Spray  

Delta reserves the right (1) to make changes in specifications and materials, and (2) to change or discontinue models, both without notice or obligation. Dimensions are for reference only. See current full-line price book or [www.deltafaucet.com](http://www.deltafaucet.com) for finish options and product availability.

DSP-B-52140-VP-PK Rev. C

### Delta Faucet Company

55 E. 111th Street, Indianapolis, IN 46280  
350 South Edgeware Road, St. Thomas, ON N5P 4L1  
© 2018 Delta Faucet Company