



DANIEL

SCHEDA TECNICA TECHNICAL FEATURES

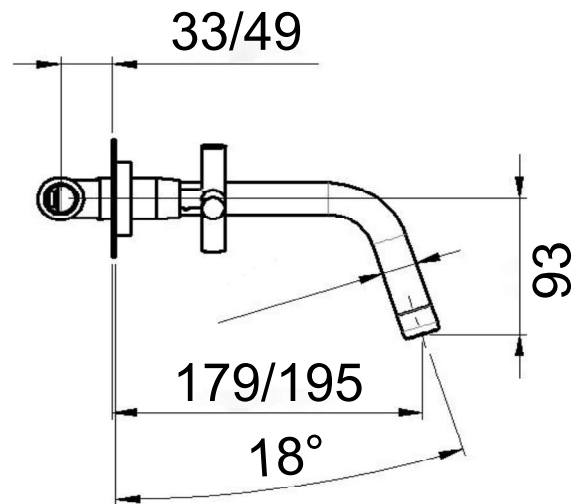
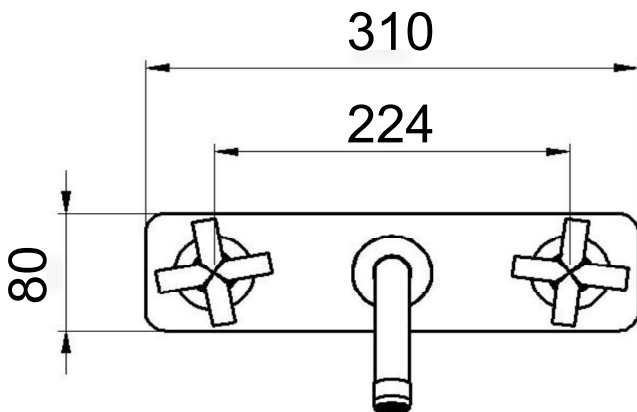
ART. COD.

J5021

ACQUA CALDA
HOT WATER
G1/2



ACQUA FREDDA
COLD WATER
G1/2



MATERIALI / MATERIALS

OTTONE CROMATO / CHROME PLATED BRASS

CROMATURA / CHROME PLATING

UNI EN 248

Via Leonardo da Vinci 53 20062 Cassano d'Adda (MI) Italy Tel. +39-0363 62651
info@daniel.it www.daniel.it