

## LUDLOW

Ludlow Shinola Edition One Arm Paper Holder

LDPH05



### TECHNICAL DETAILS

---

Depth / Width: 3 3/8"  
Height: 3 11/16"  
Length: 12 7/8"  
Primary Material: Brass

### INSPIRATION

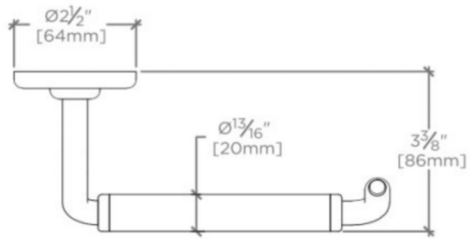
---

A touch of classic Americana. Our fresh take on iconic industrial design has clean lines and dimensional details.

## LUDLOW

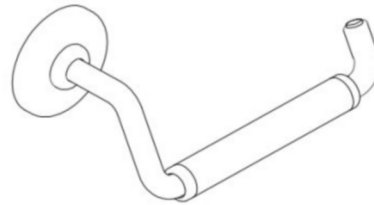
## LDPH05

Ludlow Shinola Edition One Arm Paper Holder



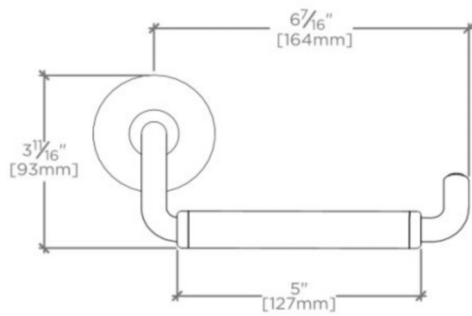
TOP VIEW

SCALE: 3"=1'-0"



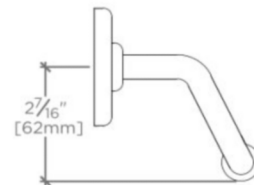
ISO VIEW

SCALE: 3"=1'-0"



FRONT VIEW

SCALE: 3"=1'-0"



SIDE VIEW

SCALE: 3"=1'-0"