

LUDLOW

LDPH15

Ludlow Shinola Edition One Arm Paper Holder with 8 5/8" Shelf



TECHNICAL DETAILS

Depth / Width: 3 3/4"
Height: 5 1/4"
Length: 8 11/16"
Primary Material: Brass

INSPIRATION

A touch of classic Americana. Our fresh take on iconic industrial design has clean lines and dimensional details.

WATERWORKS

LUDLOW

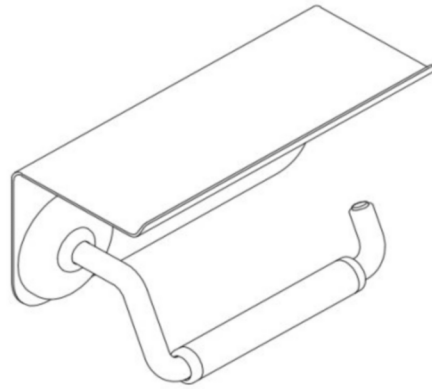
LDPH15

Ludlow Shinola Edition One Arm Paper Holder with 8 5/8" Shelf



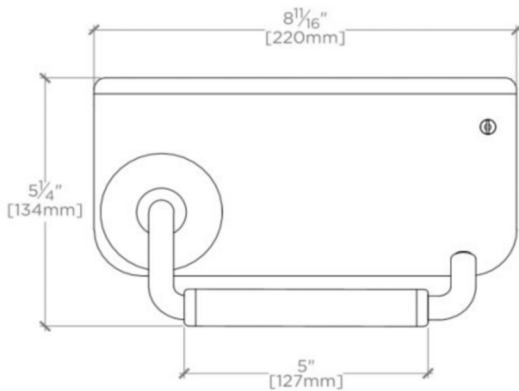
TOP VIEW

SCALE: 3"=1'-0"



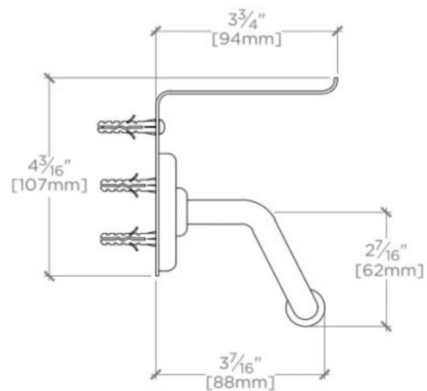
ISO VIEW

SCALE: 3"=1'-0"



FRONT VIEW

SCALE: 3"=1'-0"



SIDE VIEW

SCALE: 3"=1'-0"